




Location:



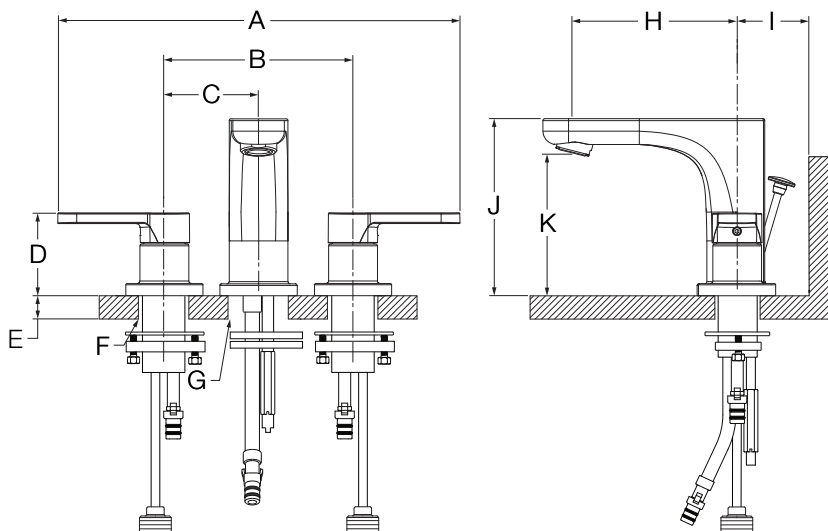
SLW6712CA
Two Handle Widespread Lavatory Faucet
Specification Submittal

<p>Model Numbers</p>	<p>Feature Highlights</p>
<p><input type="checkbox"/> SLW6712CA Two Handle Widespread Lavatory Faucet with lift rod and metal drain assembly</p>	<ul style="list-style-type: none"> • Two handle widespread lavatory faucet features 8"-16" mount • Ceramic cartridges • 1/2" IPS inlet connections • Standard 1.0 gpm (3.8 L/min) aerator • Faucet constructed from brass • Plated in standard polished chrome finish
<p>Options/ Modifications</p>	<p>Warranty</p>
<p><input type="checkbox"/> STN Satin Nickel finish</p> <p><input type="checkbox"/> MB Matte Black finish</p> <p><input type="checkbox"/> BBZ Brushed Bronze finish</p> <p>Note: Append appropriate suffix to model number.</p>	<p>Limited Lifetime - to the original end purchaser in consumer/residential installations.</p> <p>10 Years - for commercial/industrial installations. Refer to www.symmons.com/warranty for complete warranty information.</p> 
<p>Compliance</p> <p>-ASME A112.18.1/CSA B125.1</p> <p>-NSF/ANSI/CAN 61: Q<1, NSF/ANSI 372</p> <p>-WaterSense 1.0 gpm (3.8 L/min)</p>  	

Architectural/ Engineering Specification

Symmons Identity Two Handle Widespread Lavatory Faucet _____ Includes Two handle widespread lavatory faucet features 8"-16" mount, Ceramic cartridges, 1/2" IPS inlet connections, Standard 1.0 gpm (3.8 L/min) aerator, Faucet constructed from brass, Plated in standard polished chrome finish. 10 Year Commercial Warranty. ASME A112.18.1/CSA B125.1, NSF/ANSI/CAN 61: Q<1, NSF/ANSI 372, WaterSense 1.0 gpm (3.8 L/min) compliant. Available options: "STN - Satin Nickel finish", "MB - Matte Black finish", "BBZ - Brushed Bronze finish".

Dimensions



Measurements	
A	13-1/2", 343 mm
B	8", 203 mm
C	4", 102 mm
D	(2x) 2-1/8", 54 mm
E	Deck Thickness Ref. Min. 5/8", 16 mm Max. 1-3/8", 35 mm
F	(2x) Hole Size Min. Ø 1-1/4", 32 mm Max. Ø 1-1/2", 38 mm
G	Hole Size Min. Ø 1-3/8", 35 mm Max. Ø 1-5/8", 41 mm
H	4-5/16", 110 mm
I	2", 51 mm
J	4-5/8", 117 mm
K	3-5/8", 92 mm

Note: Dimensions subject to change without notice.