

IPOINT CONNECT PRO

PAYMENT PROCESSOR



72313 - CONNECT PRO Payment Dock

72339 - CONNECT PRO PP CASE 2500/2500i

PAYMENT PROCESSOR

I PORT CONNECT Pro Payment Processor and Dock Install Manual

Thank you for purchasing the all new IPORT CONNECT Platform. We hope you enjoy this revolutionary new system and if at any time you need more assistance please Contact IPORT Tech Support via Online chat or through our help desk online.

- IPORT Team

Whats in box:

- 1 - IPORT CONNECT E285 Payment Processor Case
- 1 - IPORT CONNECT Payment Dock.
- 1 - IPORT Security Tool
- 1 - USB Power Supply
- 1 - Info Card
- 1 - LINK 2500i Back Cover

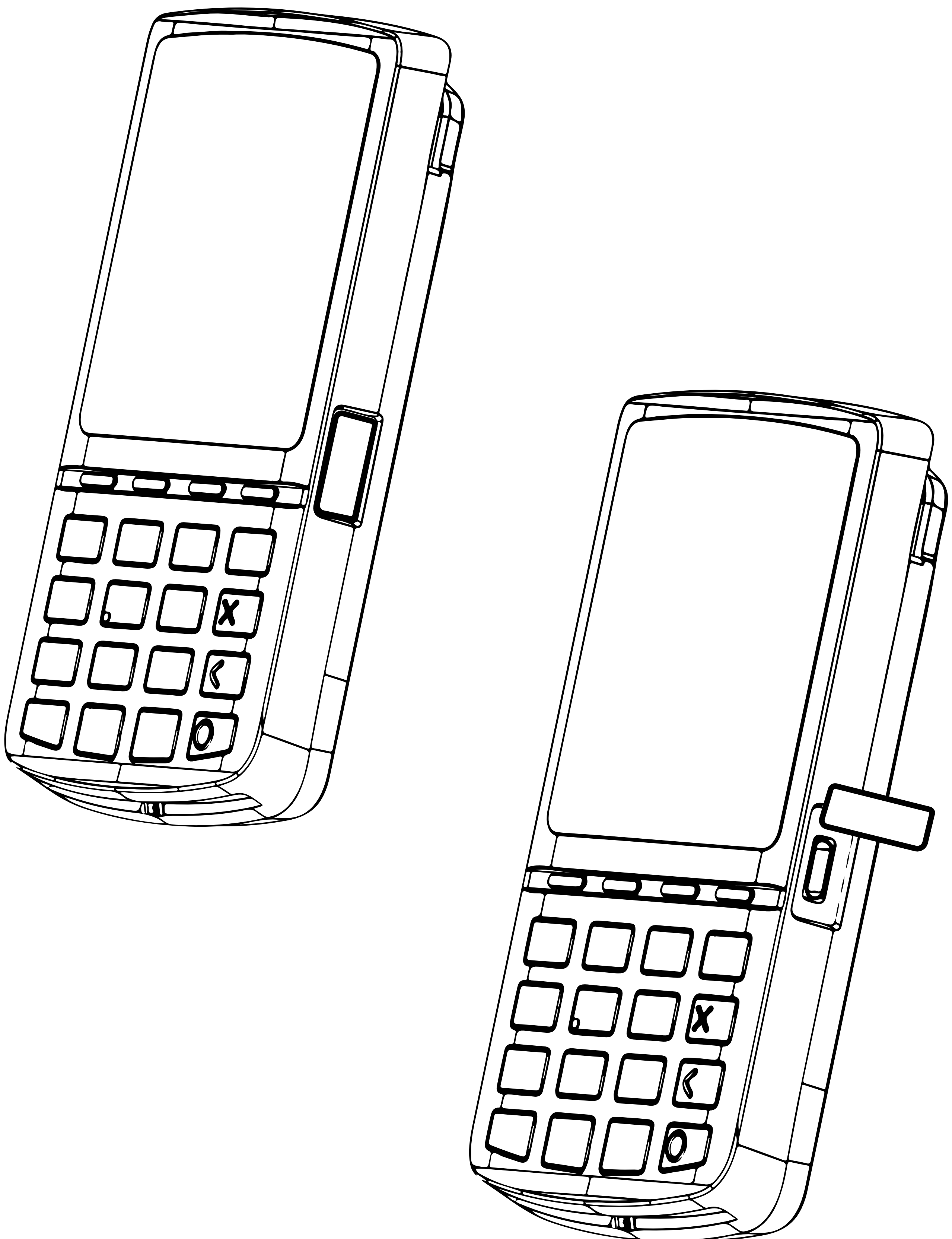
Glossary of Terms:

- **Payment Processor Dock** - The Finished stationary dock providing power and a mounting location for a Payment Processor Case
- **Payment Processor Case** - The removable housing providing charging and mounting for a Ingenico Link 2500/2500i payment processor.
- **Security Foot** - The metal removable portion of the Payment Processor Dock allowing for a secure mounting of the Payment Processor Dock when screwed to a solid surface.

PAYMENT PROCESSOR

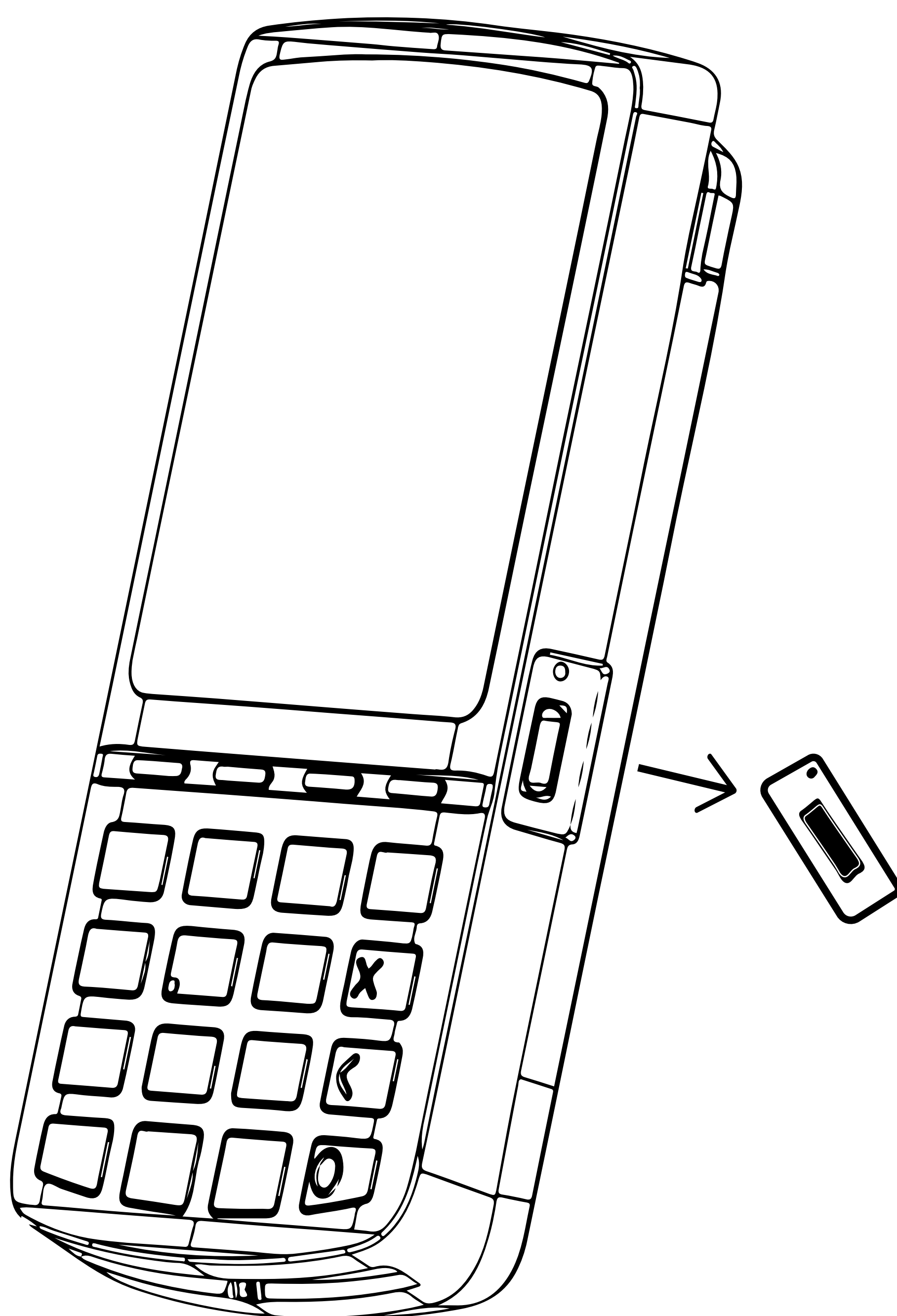
IPOINT CONNECT Pro Payment Processor Case

- 1. Remove the Link 2500 or 2500i Payment process form its box. Remove the Rubber cover over the USB-C Port.**



PAYMENT PROCESSOR

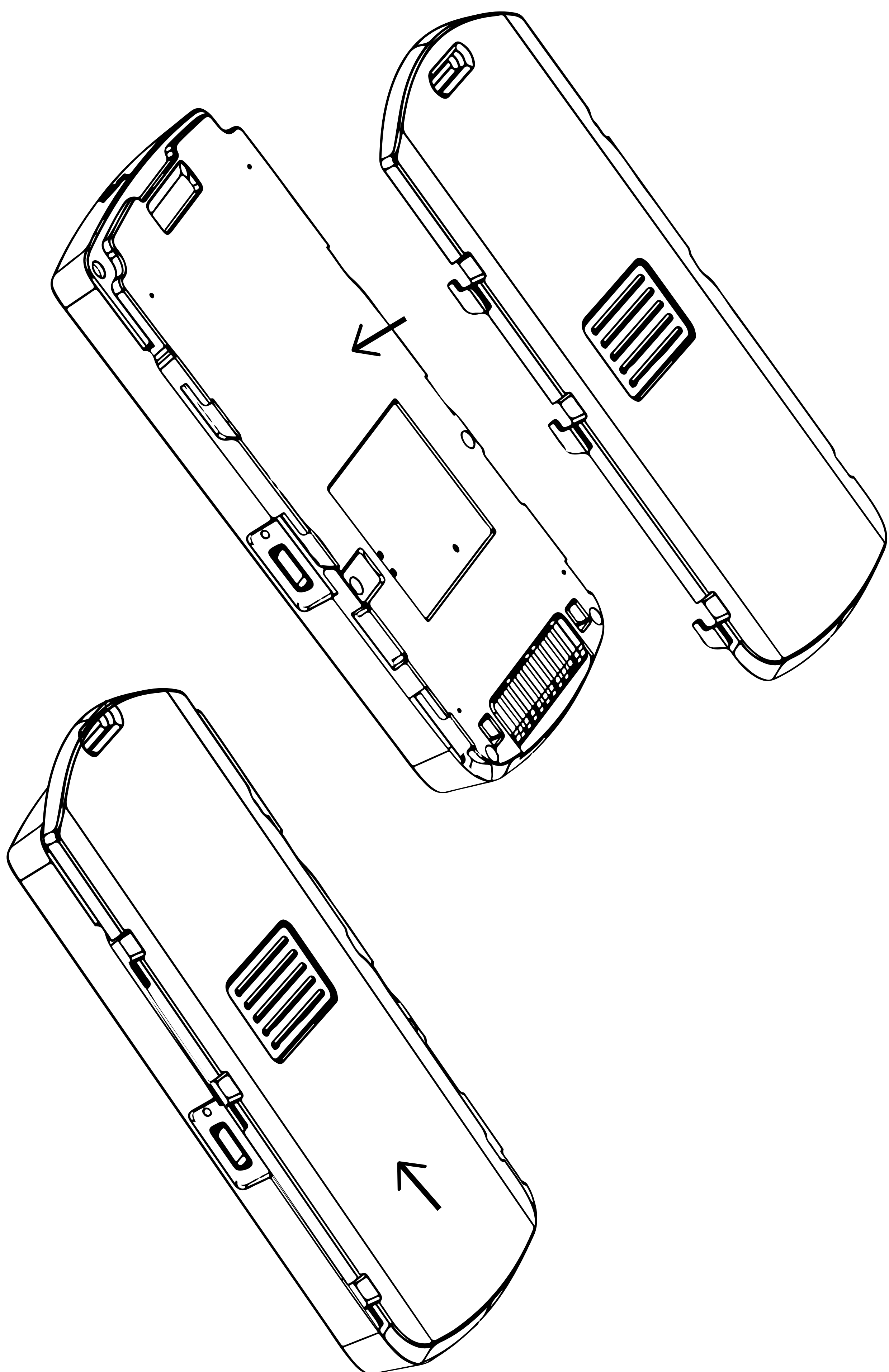
- 2. Pull out the Rubber USB-C Cover and discard or save for reassembly**



I PORT CONNECT PRO

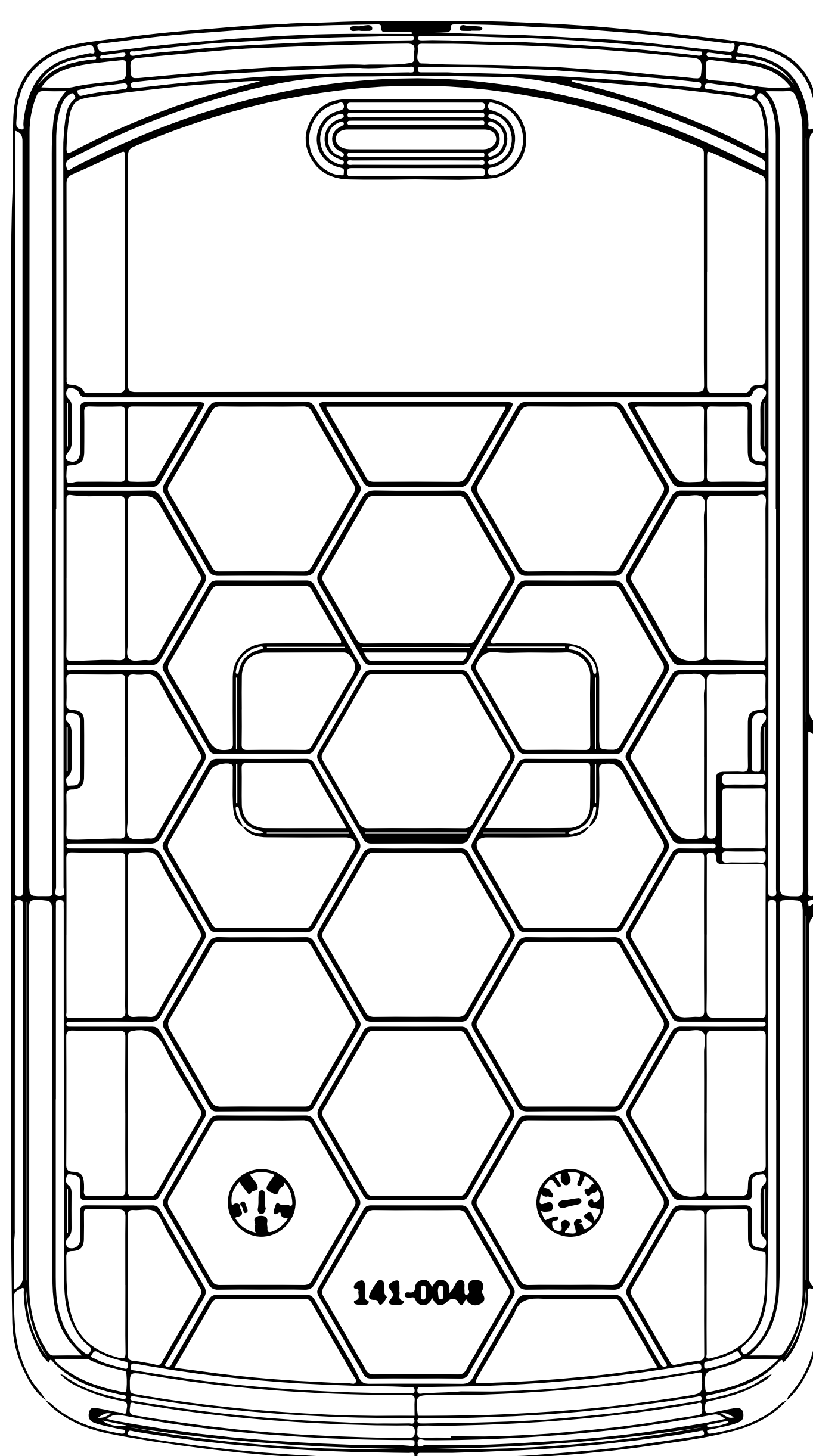
PAYMENT PROCESSOR

If using the Link 2500i, install the included back cover extension onto the back of the Link 2500i payment processor before continuing. Discard if using the Link 2500



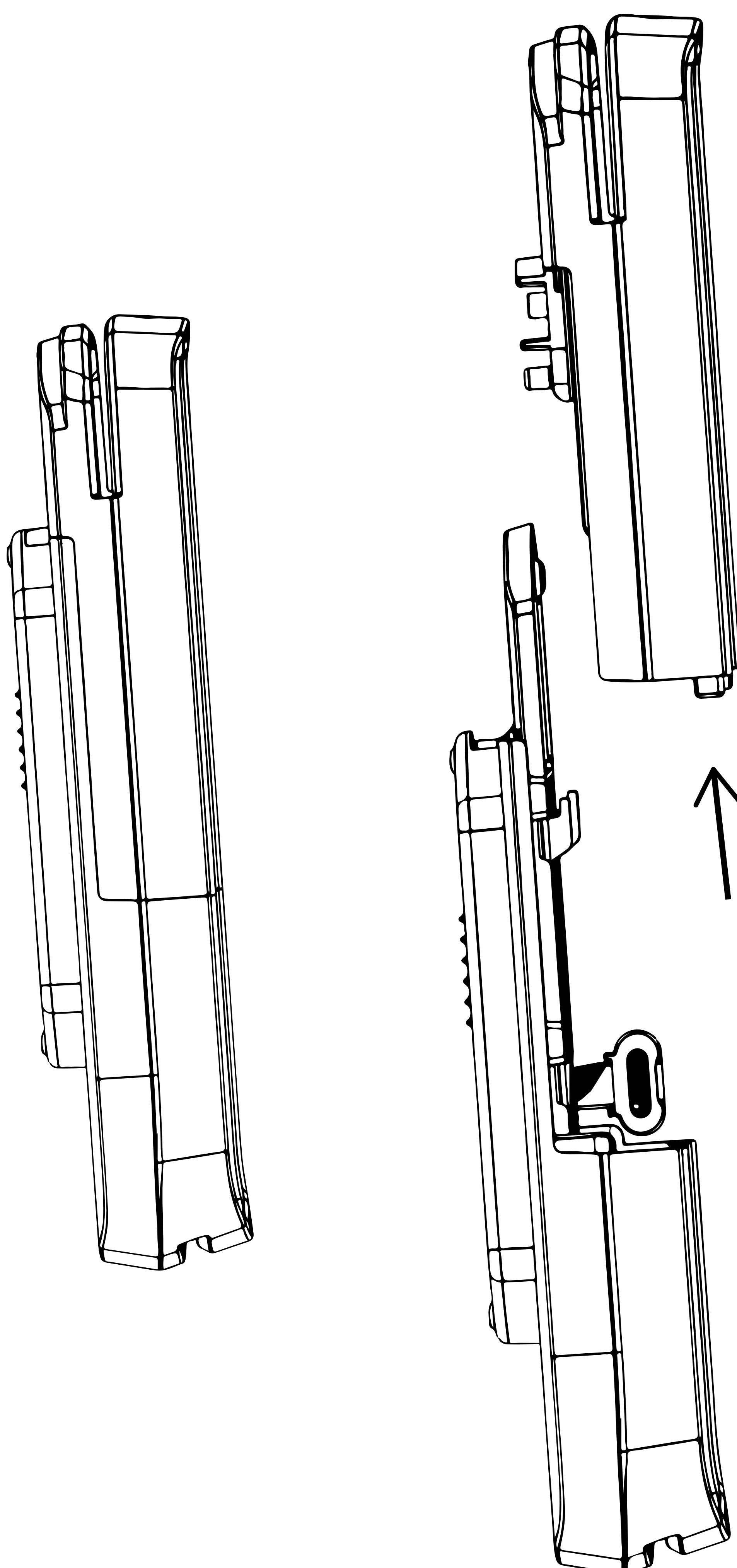
PAYMENT PROCESSOR

- 3. Remove the IPORT CONNECT PRO Payment CASE 2500/2500i.**



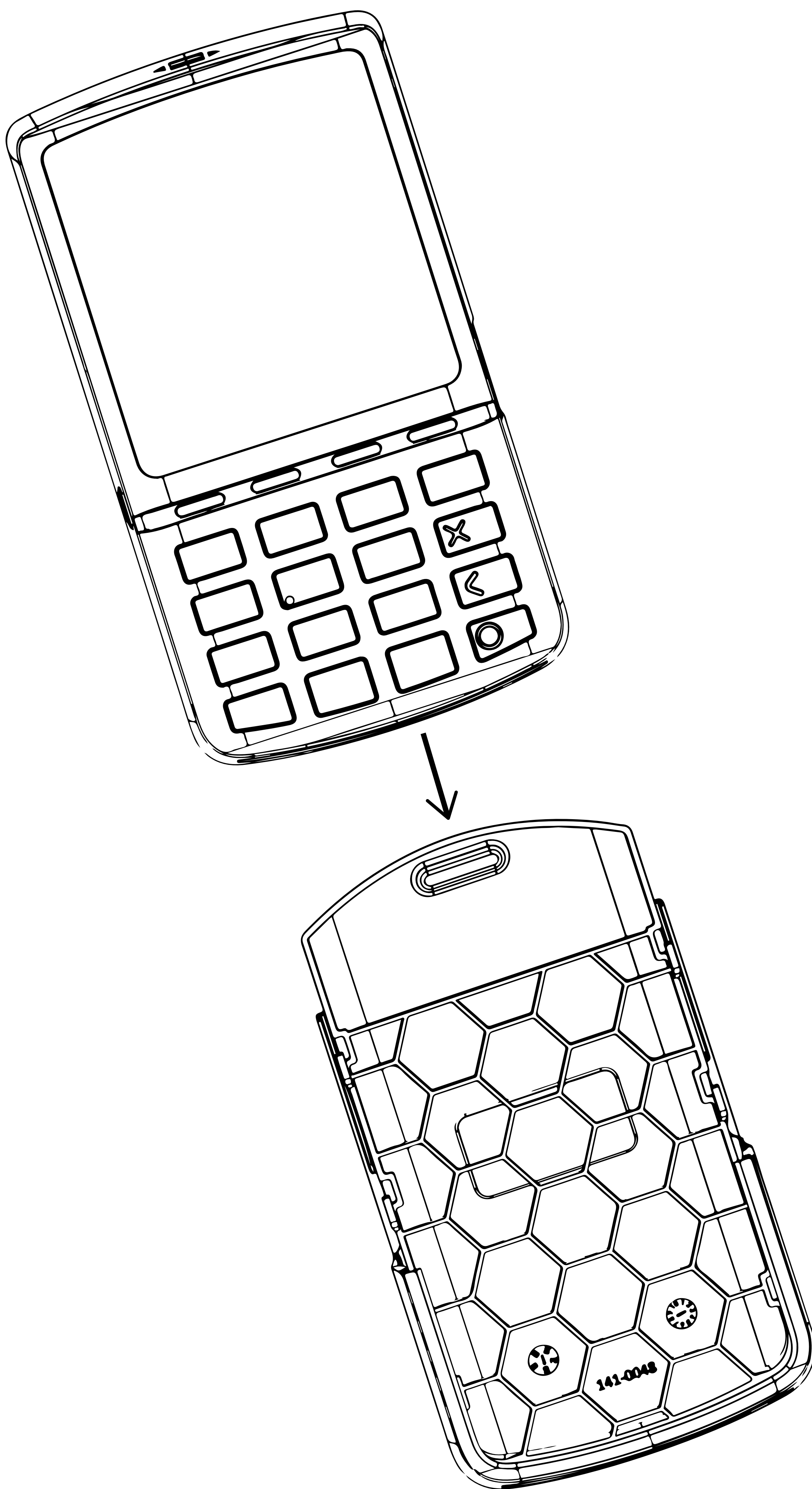
PAYMENT PROCESSOR

- 4. Separate the short Case top from the larger lower half of the Payment Processor Case.**



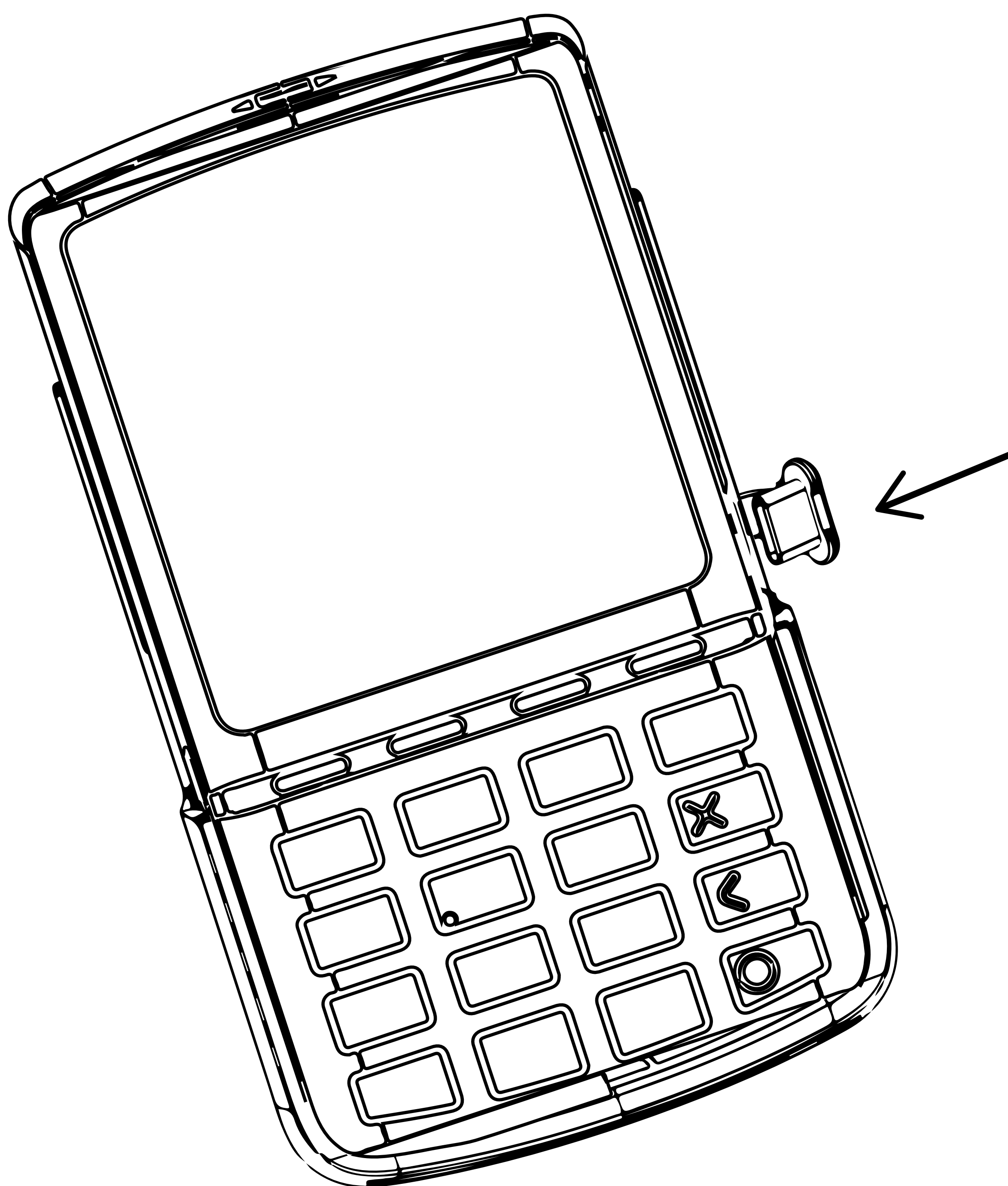
PAYMENT PROCESSOR

- 5. Insert the LINK 2500/2500i Payment Processor into the larger bottom half of the Payment Processor Case and seat firmly down.**



PAYMENT PROCESSOR

- 6. Insert the USB-C Cable into the Link 2500 before attaching the Case Top**



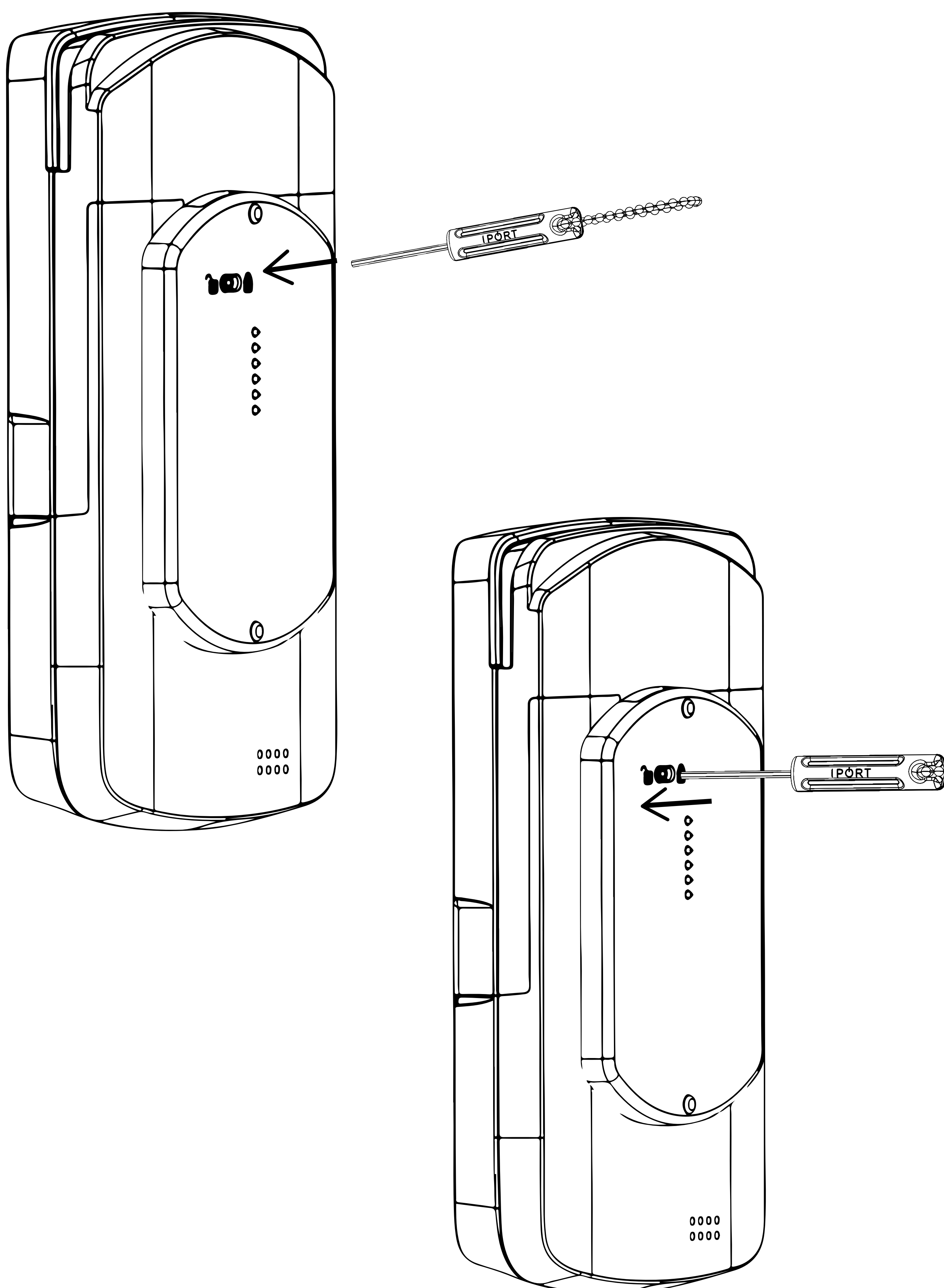
PAYMENT PROCESSOR

- 7. Place the Payment Processor top onto the payment Processor.**



PAYMENT PROCESSOR

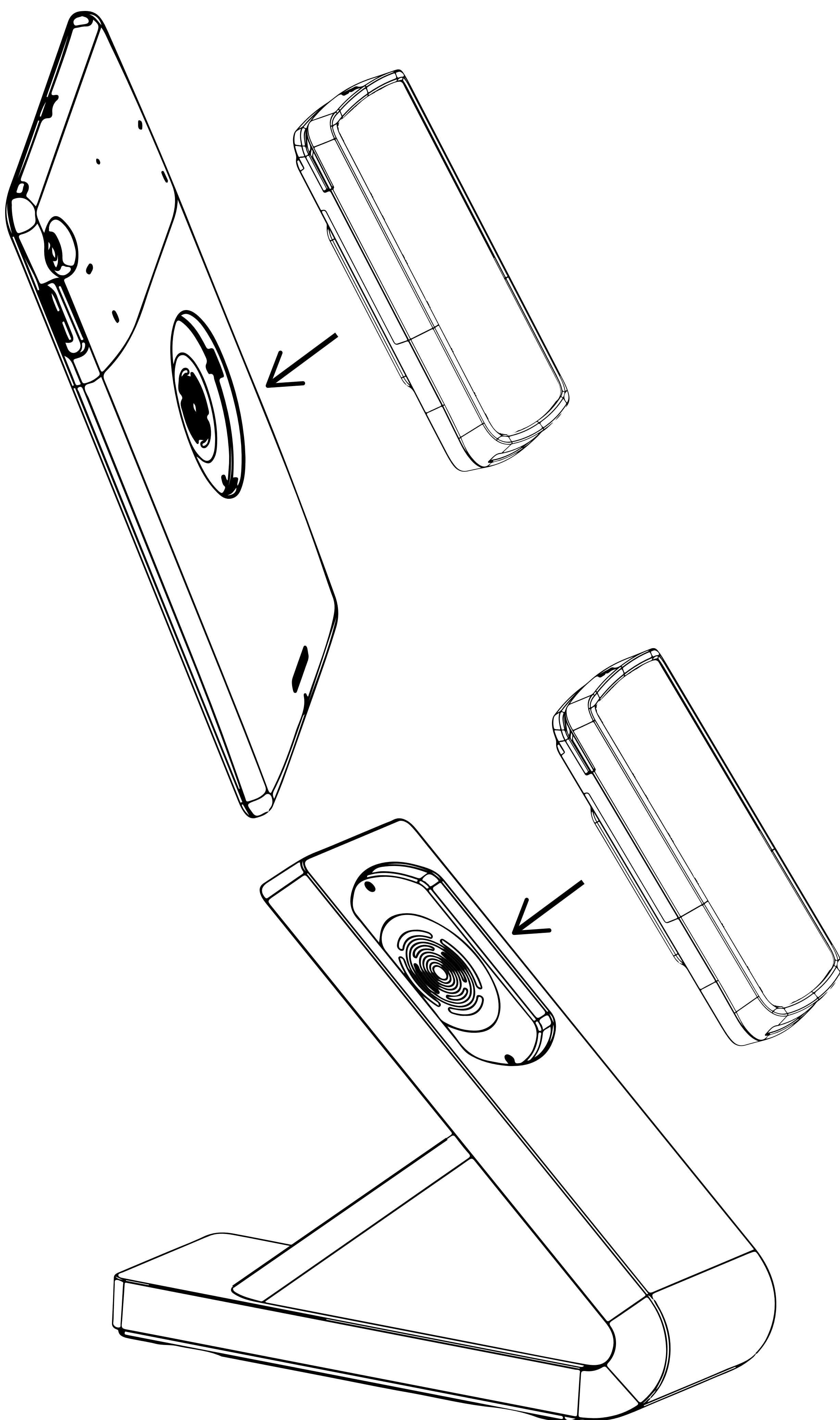
- 8. Insert the provided IPOINT Security Tool into the back of the Payment Case and slide the lock to the left side of the case to lock the case halves together.**



I PORT CONNECT PRO

PAYMENT PROCESSOR

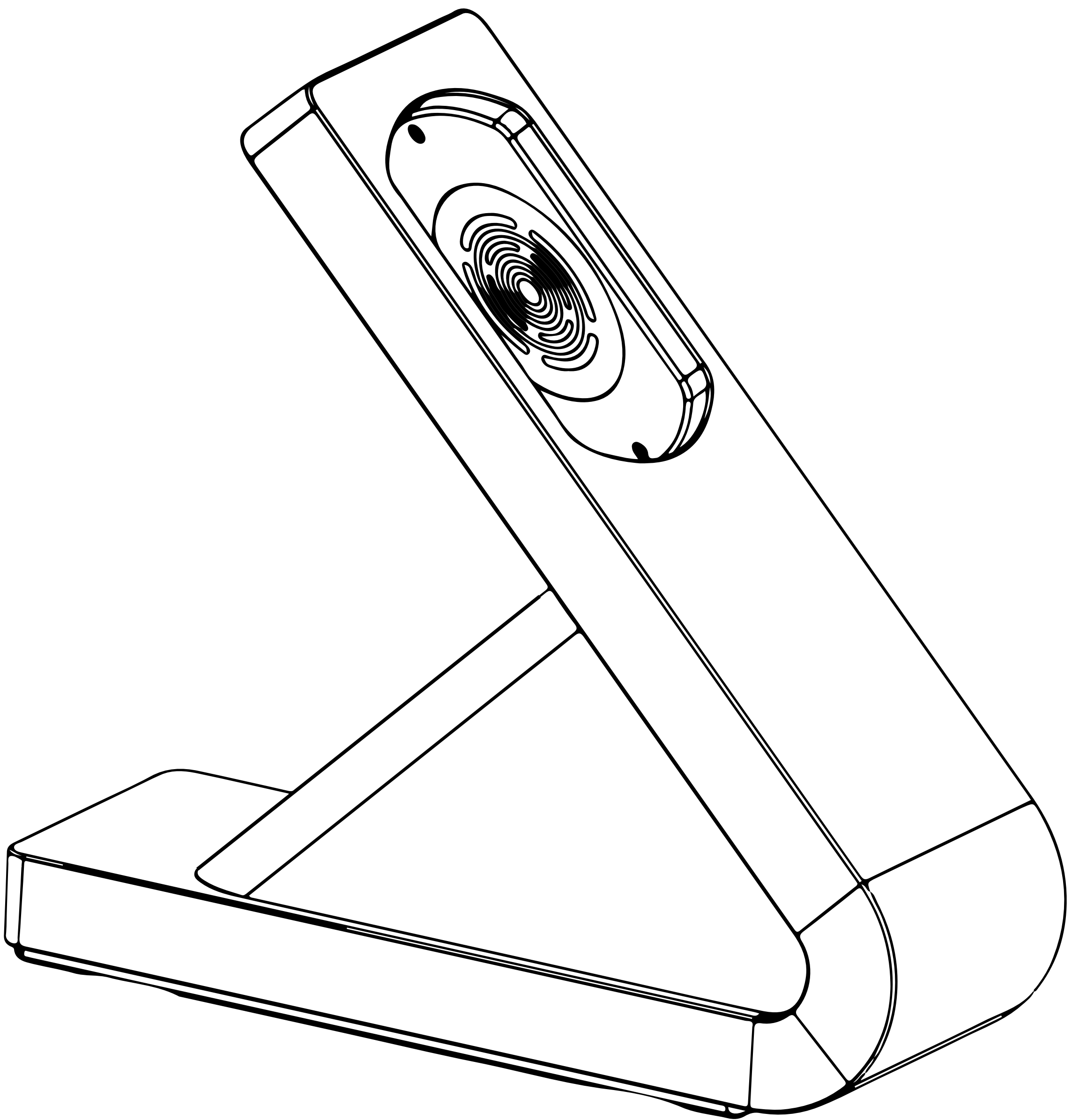
- 6. To charge, attach the Payment Case to the back of the an IPORT CONNECT Pro Case or Payment Dock.**



PAYMENT PROCESSOR

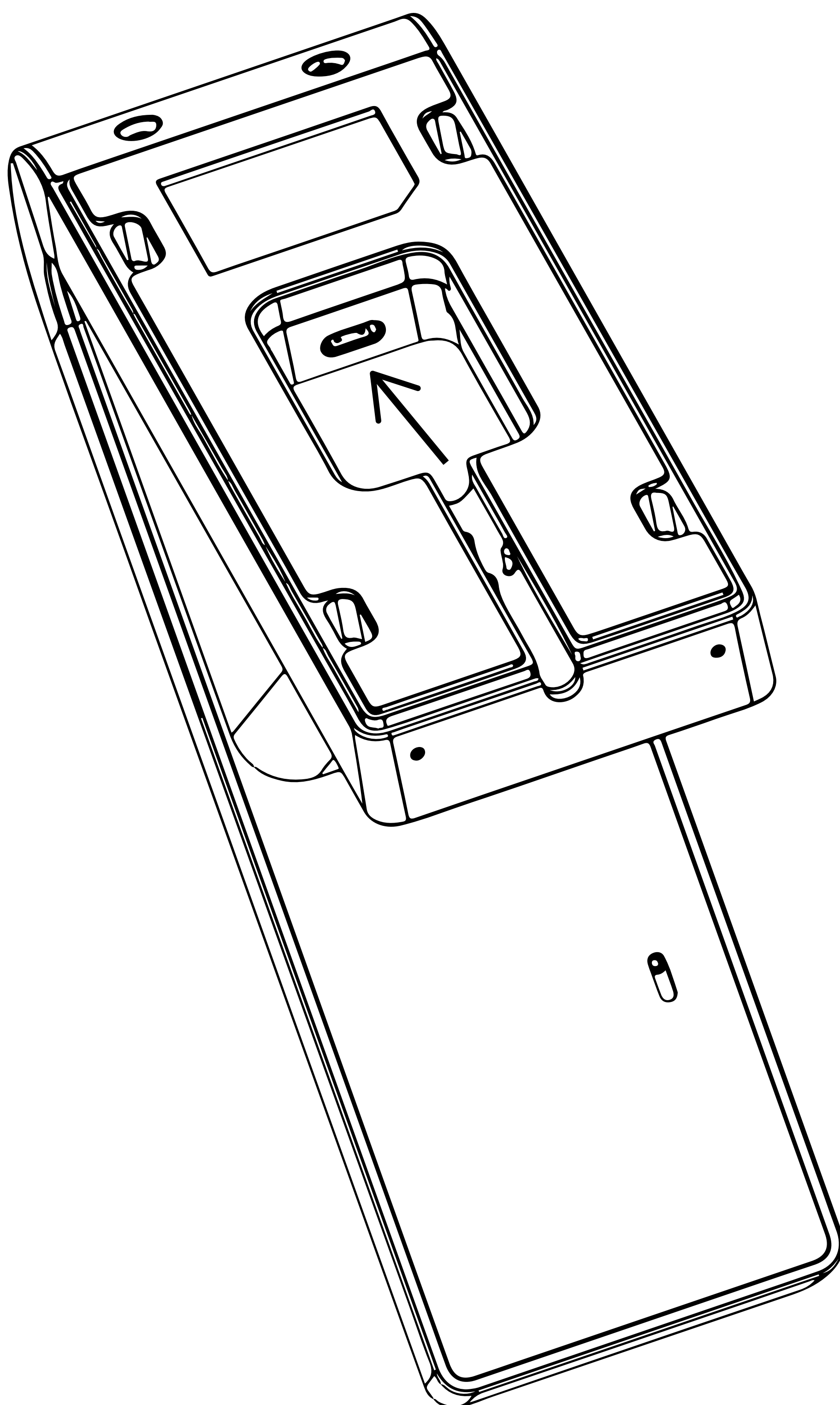
I PORT CONNECT Pro Payment Processor Dock

- 1. Remove the I PORT CONNECT Payment Processor Dock, USB-C to A cable and USB-A Power supply from the box and place on a table.**



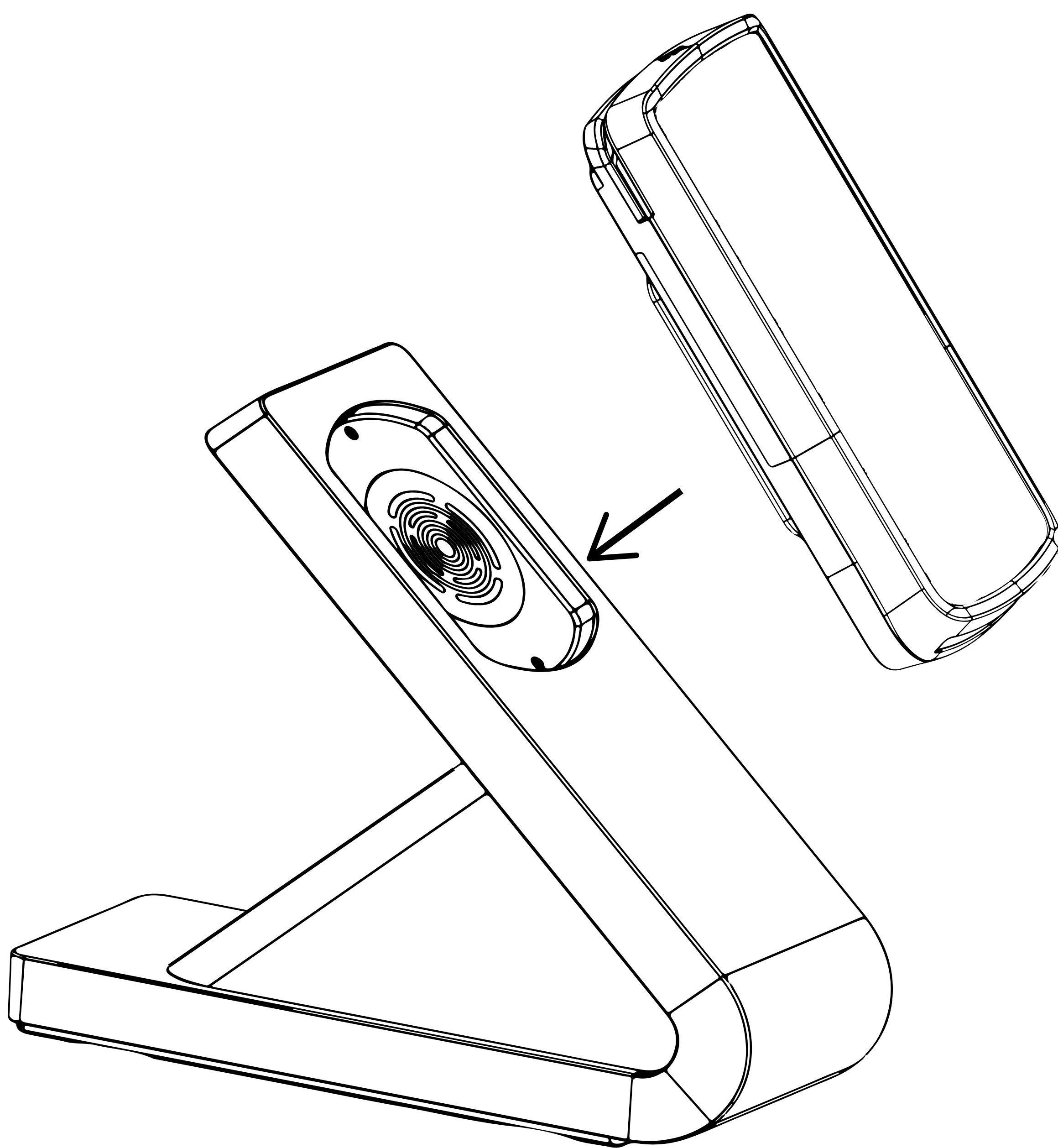
PAYMENT PROCESSOR

- 2. Plug in the USB-C Cable into the bottom of the IPORT Payment Processor Dock and the USB-A into the power Supply.**



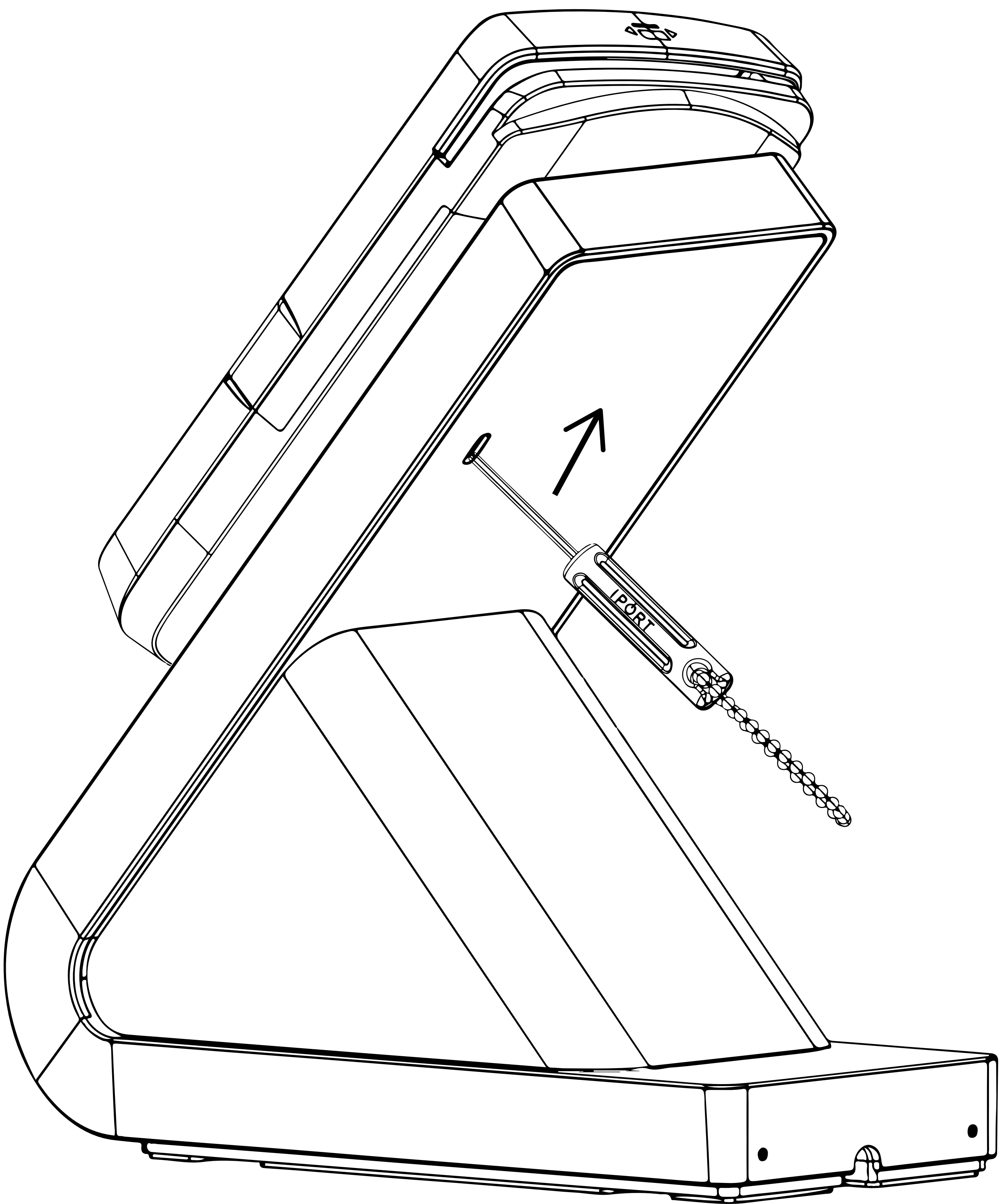
PAYMENT PROCESSOR

- 3. Place the Payment Processor Case onto the Dock to start charging.**



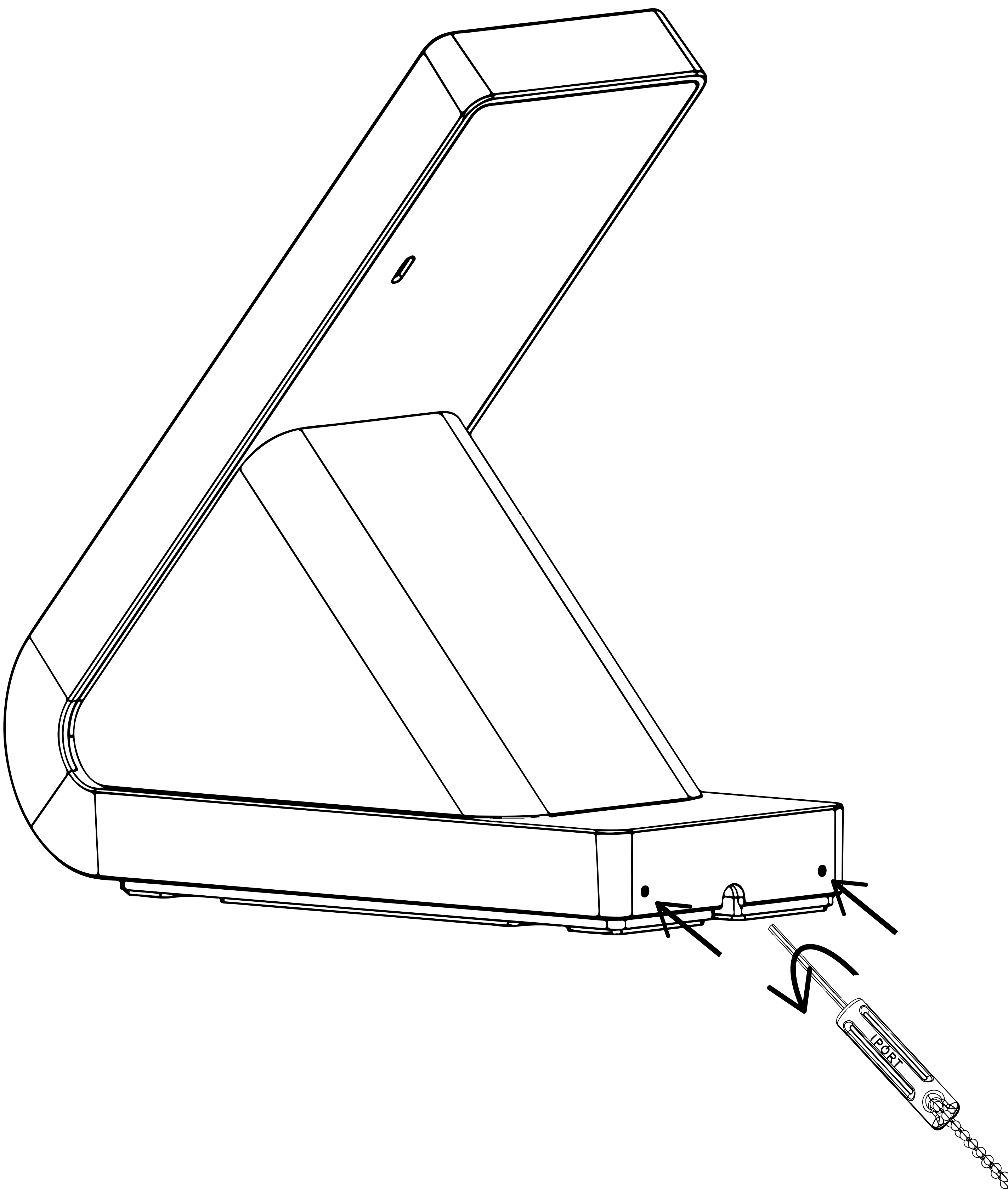
PAYMENT PROCESSOR

- 4. To lock the Case to the Dock, insert the IPORT Security tool into the back of the Dock and move the tool upward toward the top of the Dock**



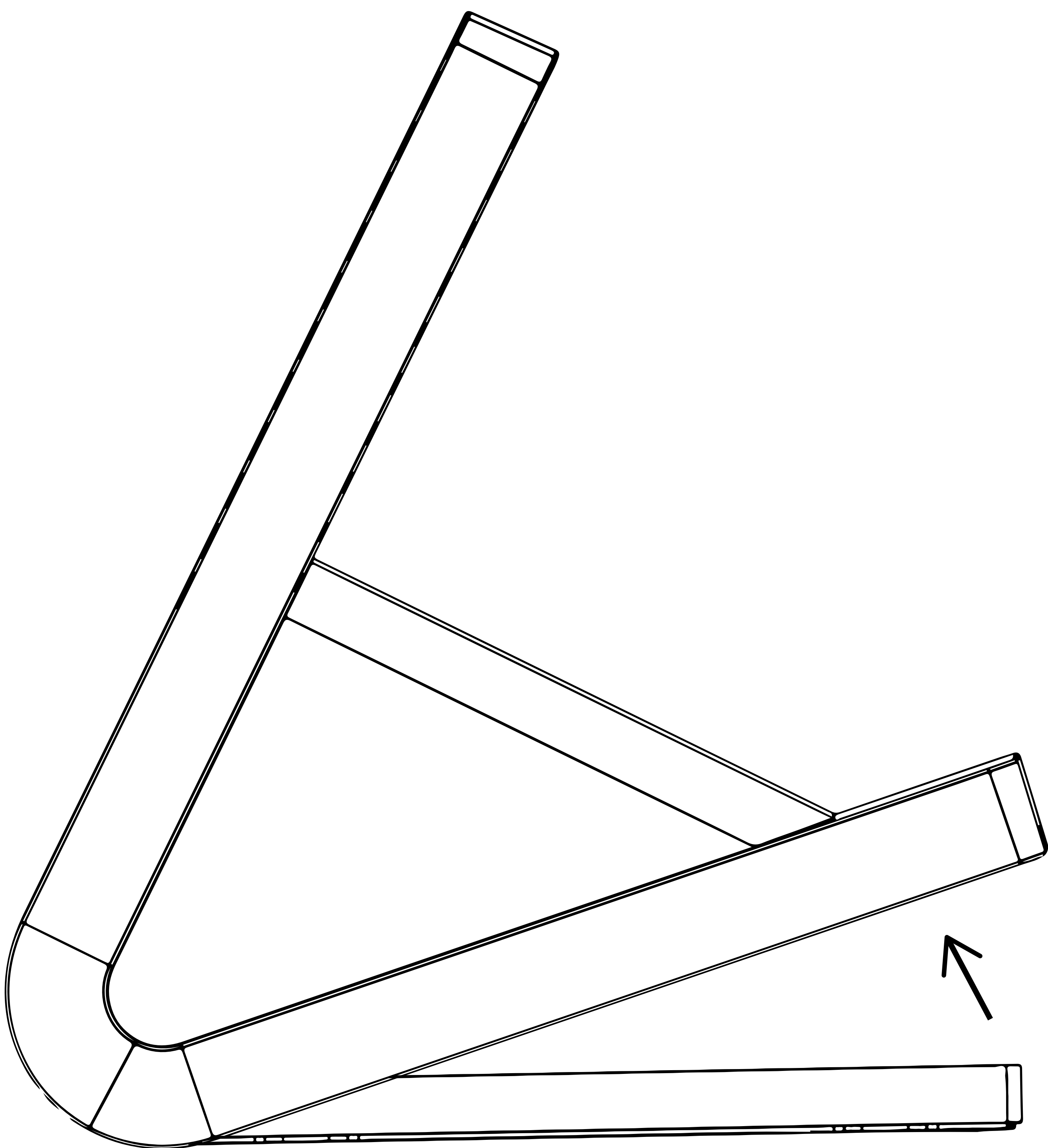
PAYMENT PROCESSOR

- 4. To secure the Payment Processor Dock to a table Insert the IPOINT Security tool into the two holes in the back of the Payment Dock. Turn the IPOINT Security tool counterclockwise to detach the Dock from the Security foot.**



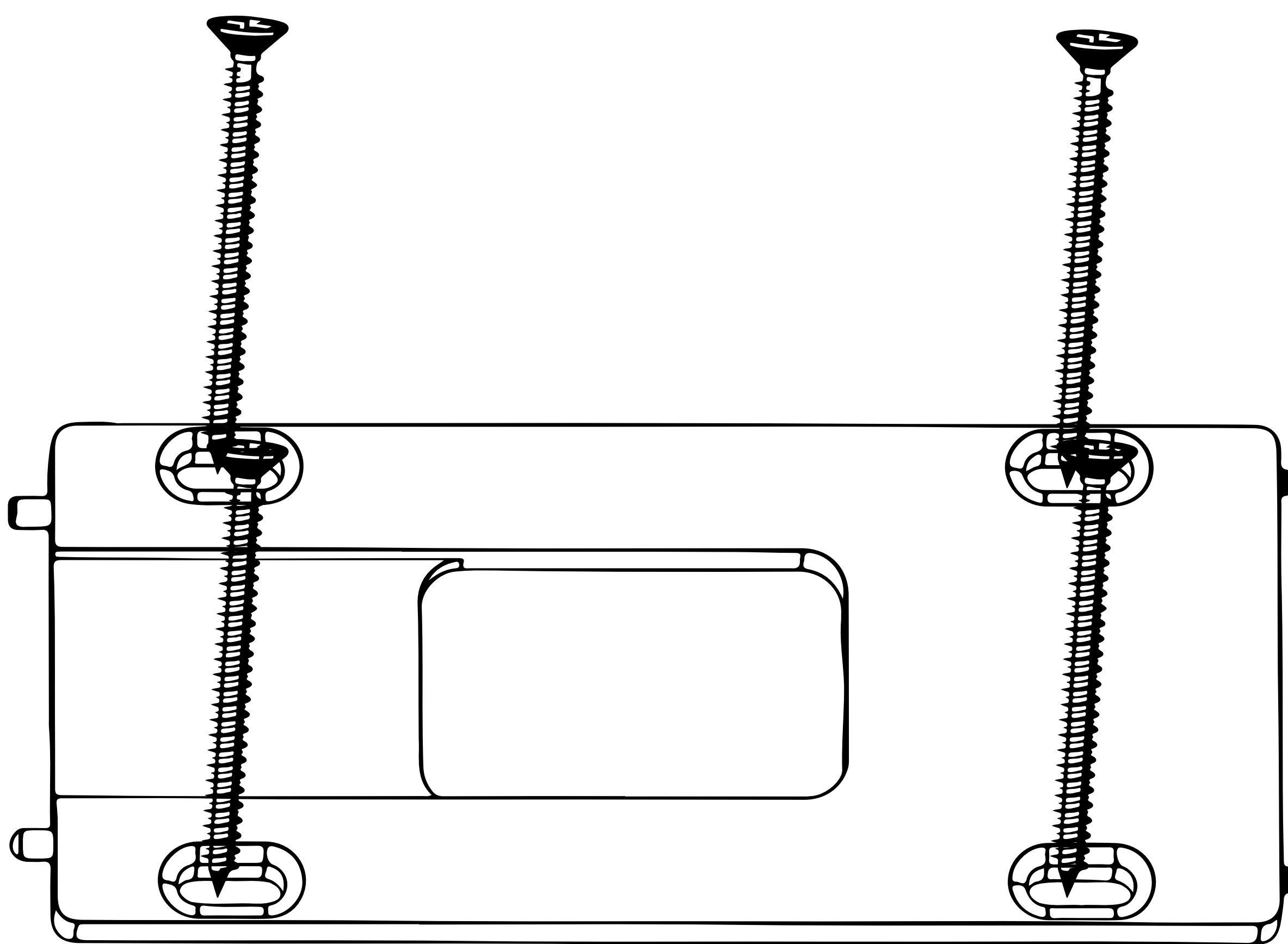
PAYMENT PROCESSOR

- 5. Lift the Payment Processor Dock off the security foot by rotating the Dock forward.**



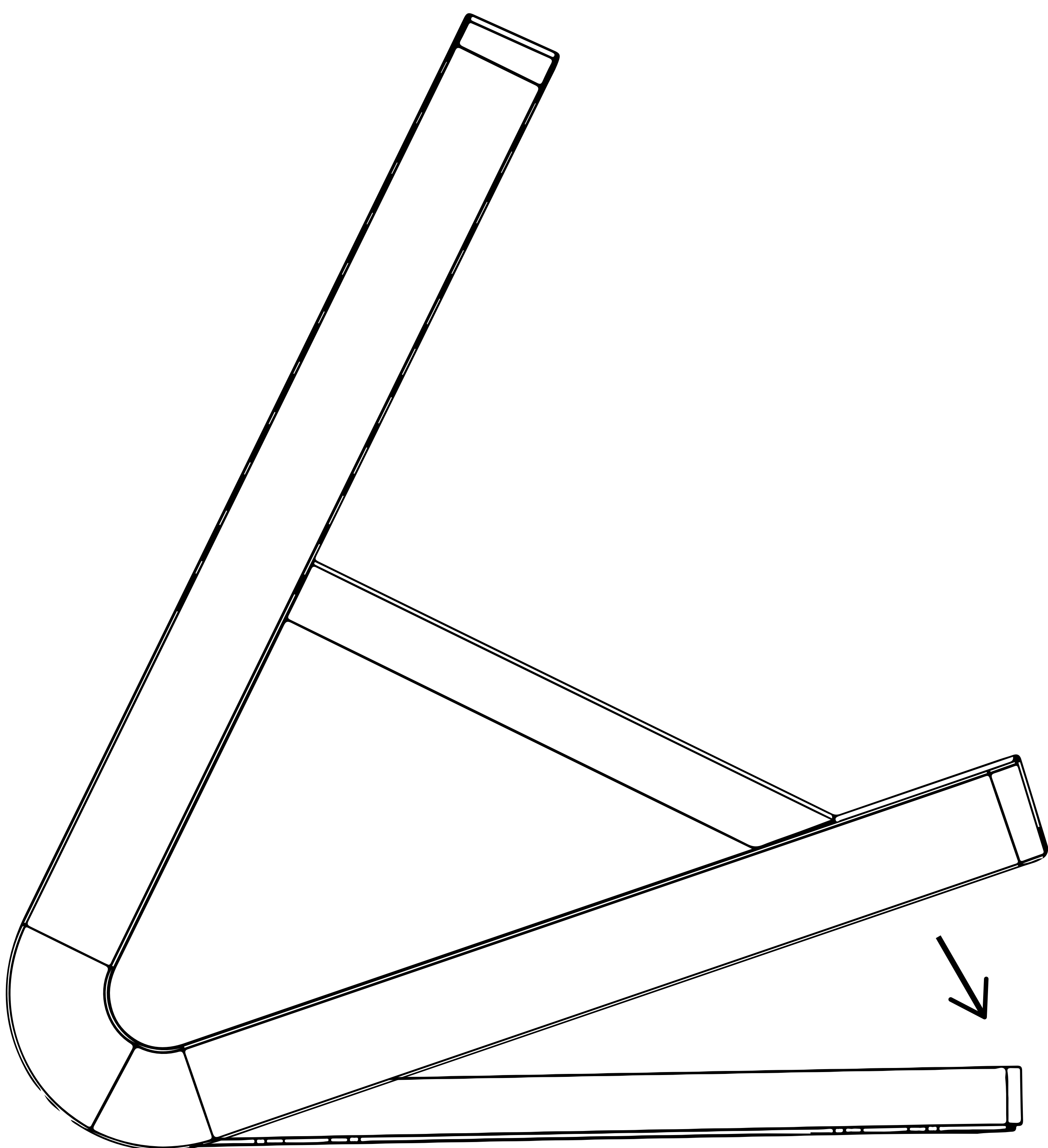
PAYMENT PROCESSOR

- 6. Attach the Security foot to a solid surface using the appropriate mounting hardware for the surface you are securing the Dock to.**



PAYMENT PROCESSOR

7. Reattach the Dock to the security foot making sure to hook the front of the Payment Dock under the front posts of the foot.



PAYMENT PROCESSOR

4. Insert the IPOINT Security tool into the two holes in the back of the Dock and turn clockwise to attach the Dock to the Security foot.

