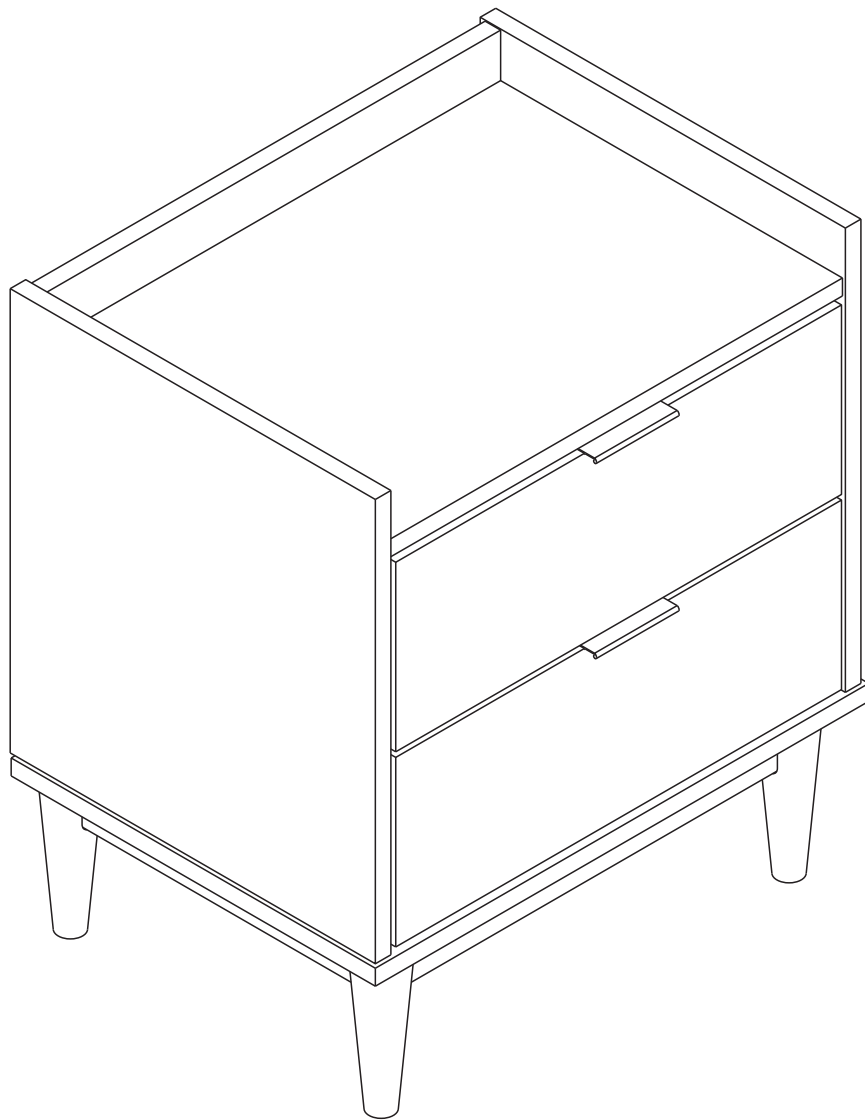


Item #: LEEB4C  
Assembly Instructions

Article N°: LEEB4C  
Instructions de montage

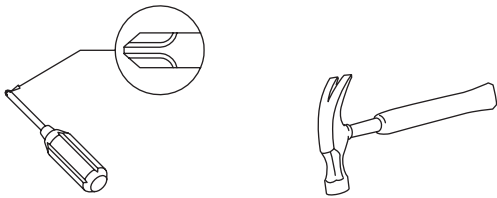


Please visit our website for the most current instructions, assembly tips, to report damage or request parts. [www.walkeredison.com](http://www.walkeredison.com)

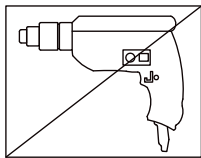
Revised 04/2023-V1

# General Assembly Guidelines

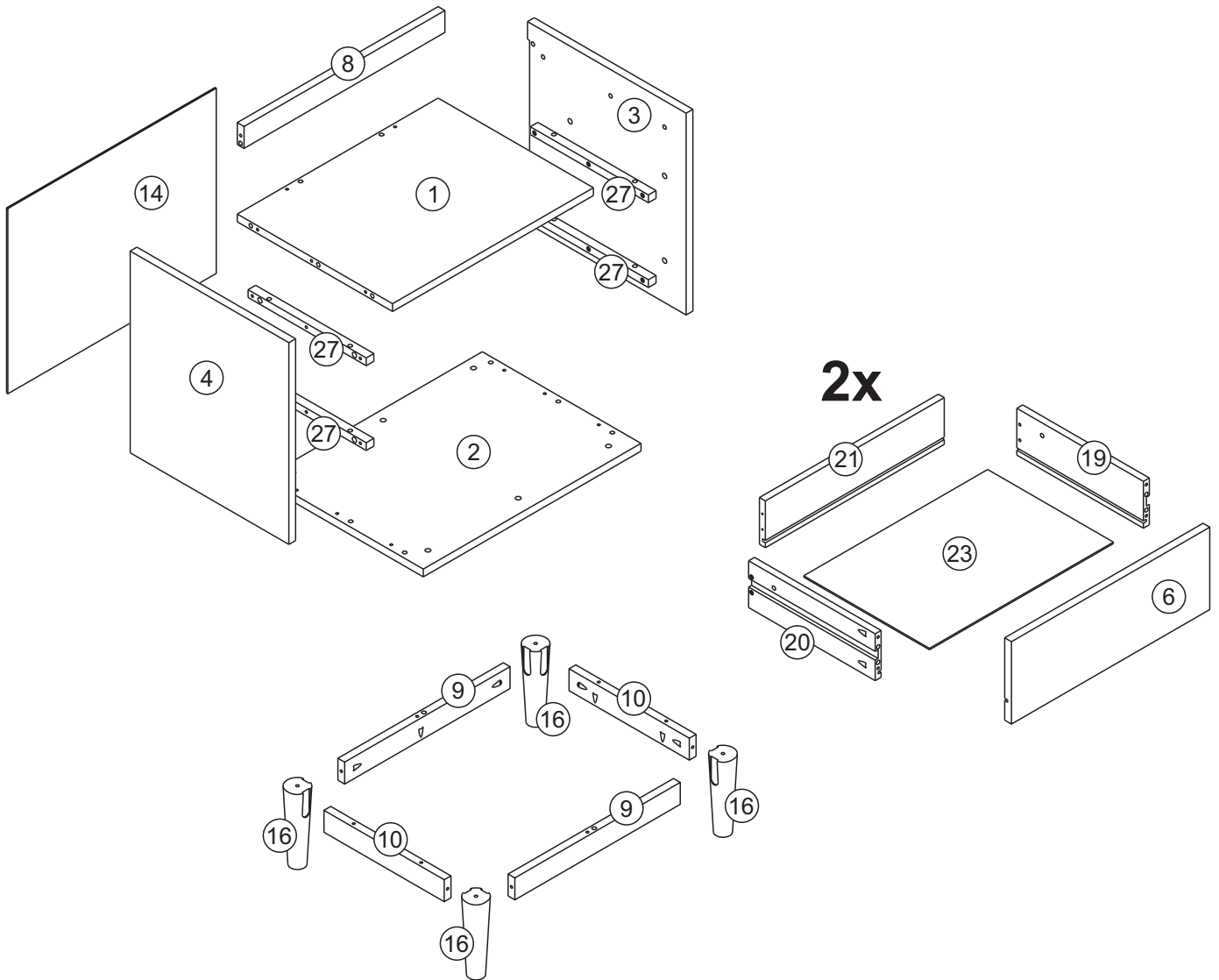
- I. Ensure that all parts and hardware are available before beginning assembly.
- II. Follow each step carefully to ensure the proper assembly of this product.
- III. Two people are recommended for ease in the assembly of this product.
- IV. The three main types of hardware used to assemble this product are wood dowels, screws and bolts.
- V. A Phillips head screwdriver and hammer is required for the assembly of this product.



- VI. Power tools should not be used to assemble this product.



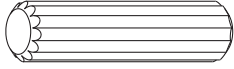
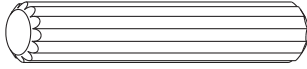

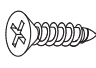
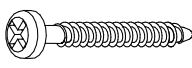
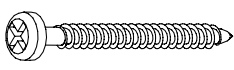

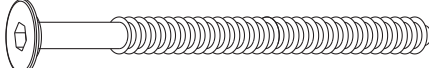

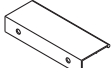
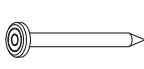
# Parts List

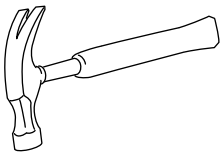


Part#	Description	Qty
1	Top panel	01 pcs
2	Base panel	01 pcs
3	Right side panel	01 pcs
4	Left side panel	01 pcs
6	Drawer front	02 pcs
8	Top crossbeam	01 pcs
9	Bottom front crossbeam	02 pcs
10	Bottom side crossbeam	02 pcs

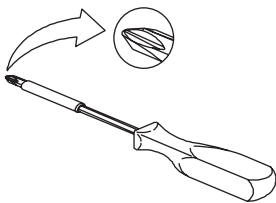
Part#	Description	Qty
14	Back panel	01 pcs
16	Leg	04 pcs
19	Drawer right side	02 pcs
20	Drawer left side	02 pcs
21	Drawer back	02 pcs
23	Drawer bottom	02 pcs
27	Drawer runner	04 pcs

# Hardware List

A		Ø8*30mm	Wood dowel	30 pcs
B		Ø8*40mm	Wood dowel	04 pcs
C		Ø10*20mm	Wood dowel	08 pcs
D		Ø3,0*12mm	Screw	04 pcs
E		Ø4,0*25mm	Screw	12 pcs
F		Ø4,0*30mm	Screw	32 pcs
G		Ø4,0*40mm	Screw	14 pcs
H		Ø7,0*70mm	Screw	04 pcs
I		-	Hex Key	01 pc
J		-	Handle	02 pcs
K		Ø8*8mm	Nail	16 pcs



Hammer recommended for assembly  
(not included)

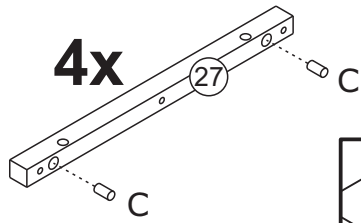


Philips head screwdriver required for assembly  
(not included)

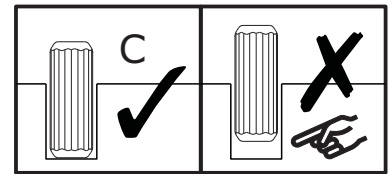
*The hardware quantities listed above are required for proper assembly.  
Some extra hardware may also have been included.*

# Step 1

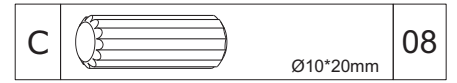
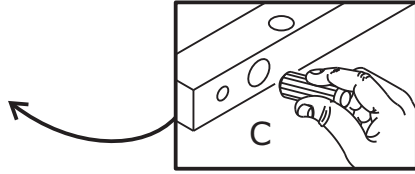
4x



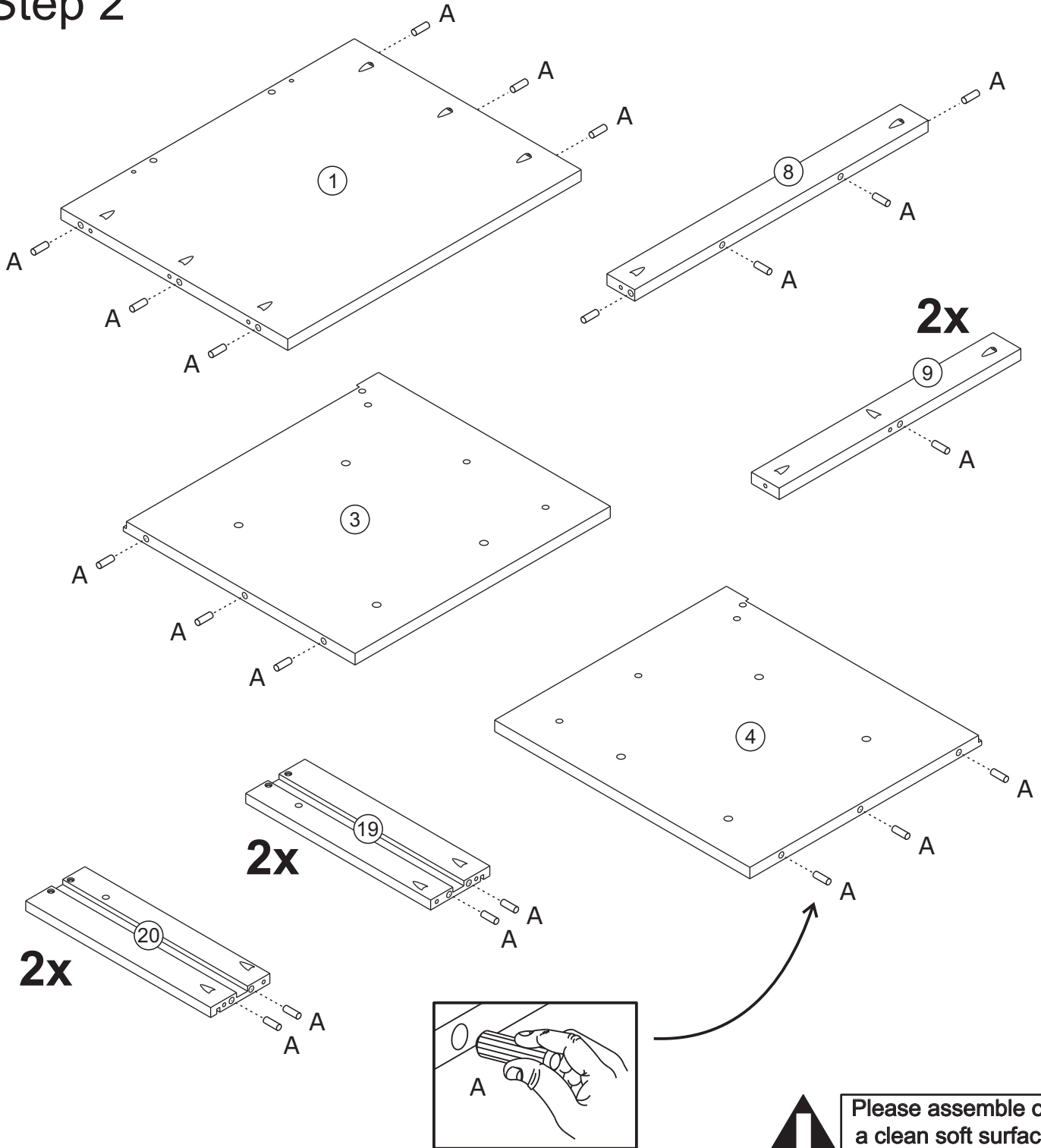
Attention to the  
dowel size:  
Ø10\*20mm



Insert wood dowel  
(C) into part (27).

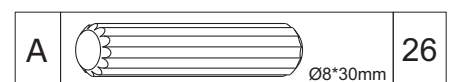


# Step 2

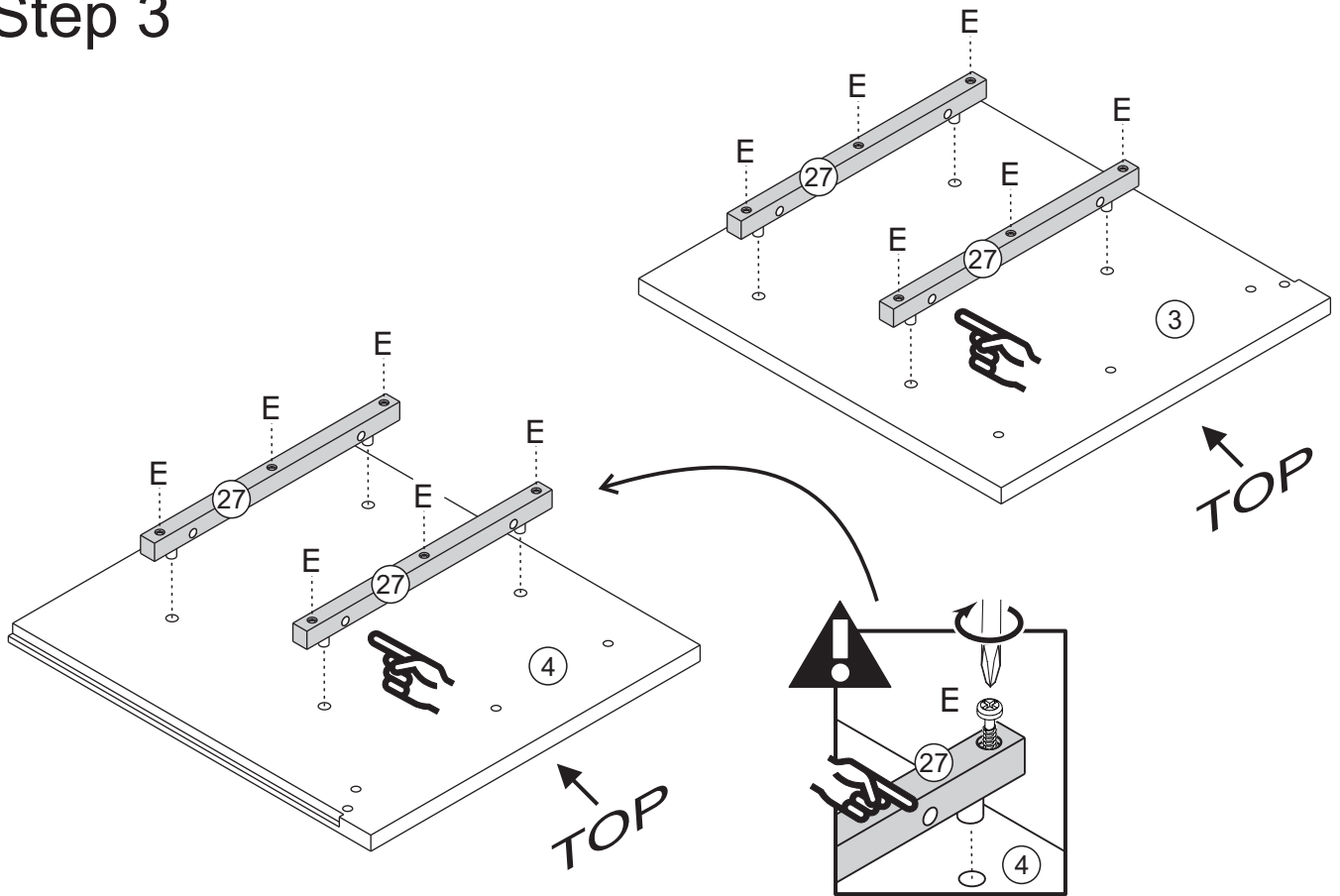


! Please assemble on  
a clean soft surface  
to avoid damage.

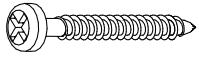
Insert wood dowel (A) into part  
(1), (3), (4), (8), (9), (19) and (20).



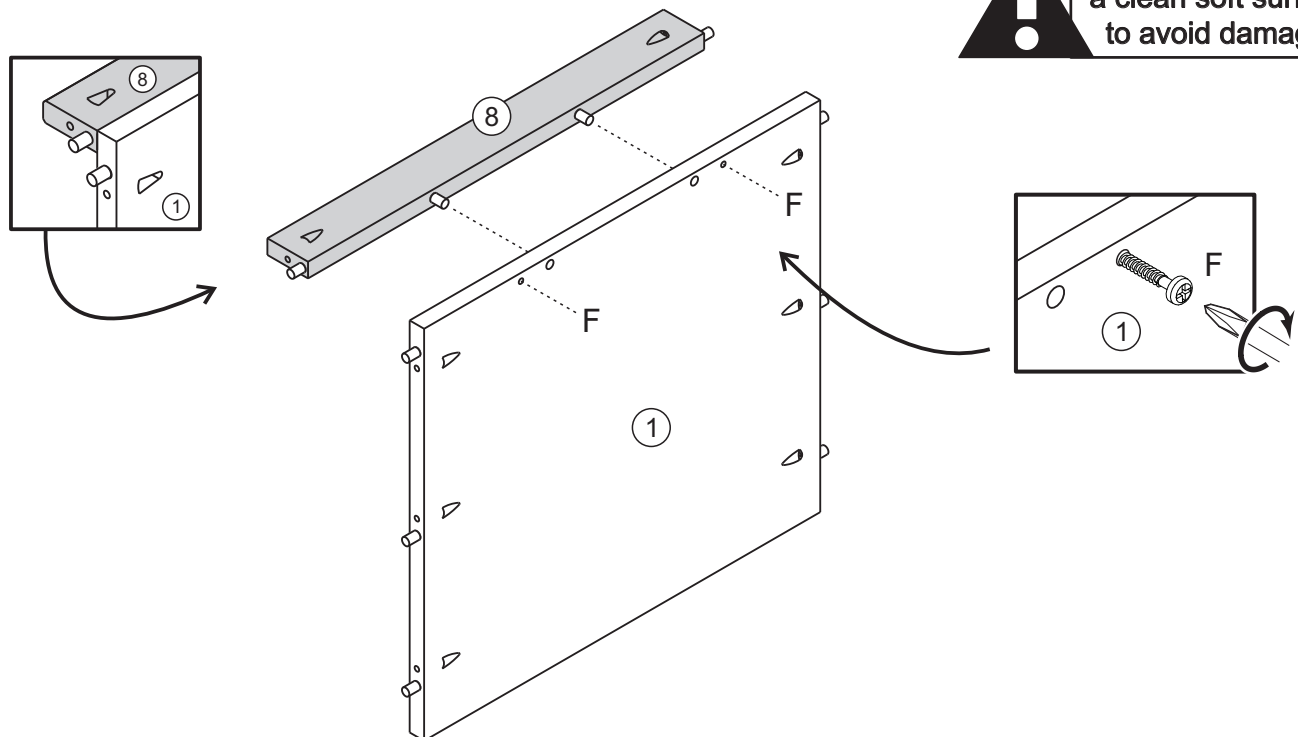
# Step 3




Secure parts (27) to part (3) and (4) with screw (E) and screwdriver (not included).


E		Ø4,0*25mm	12
---	---	-----------	----

# Step 4

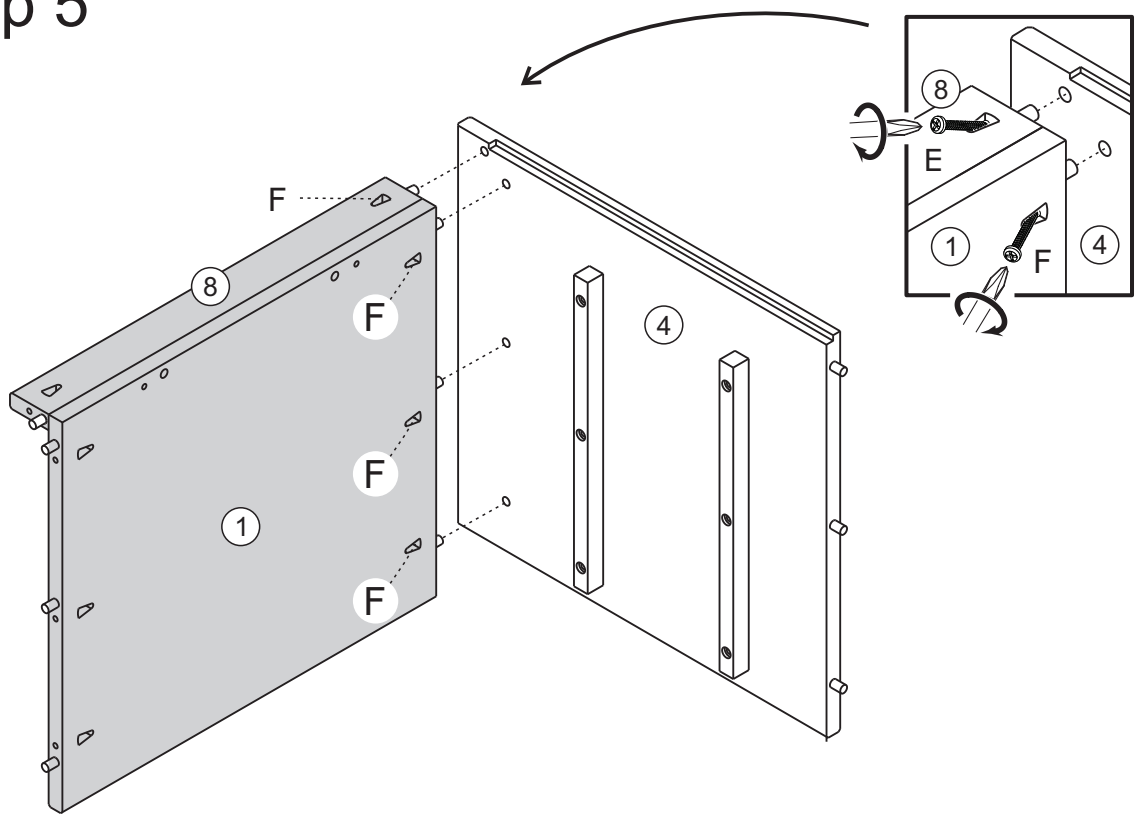


 Please assemble on a clean soft surface to avoid damage.

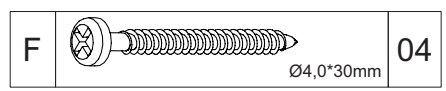
Secure part (8) to part (1) with screw (F) and screwdriver (not included).

F		Ø4,0*30mm	02
---	---	-----------	----

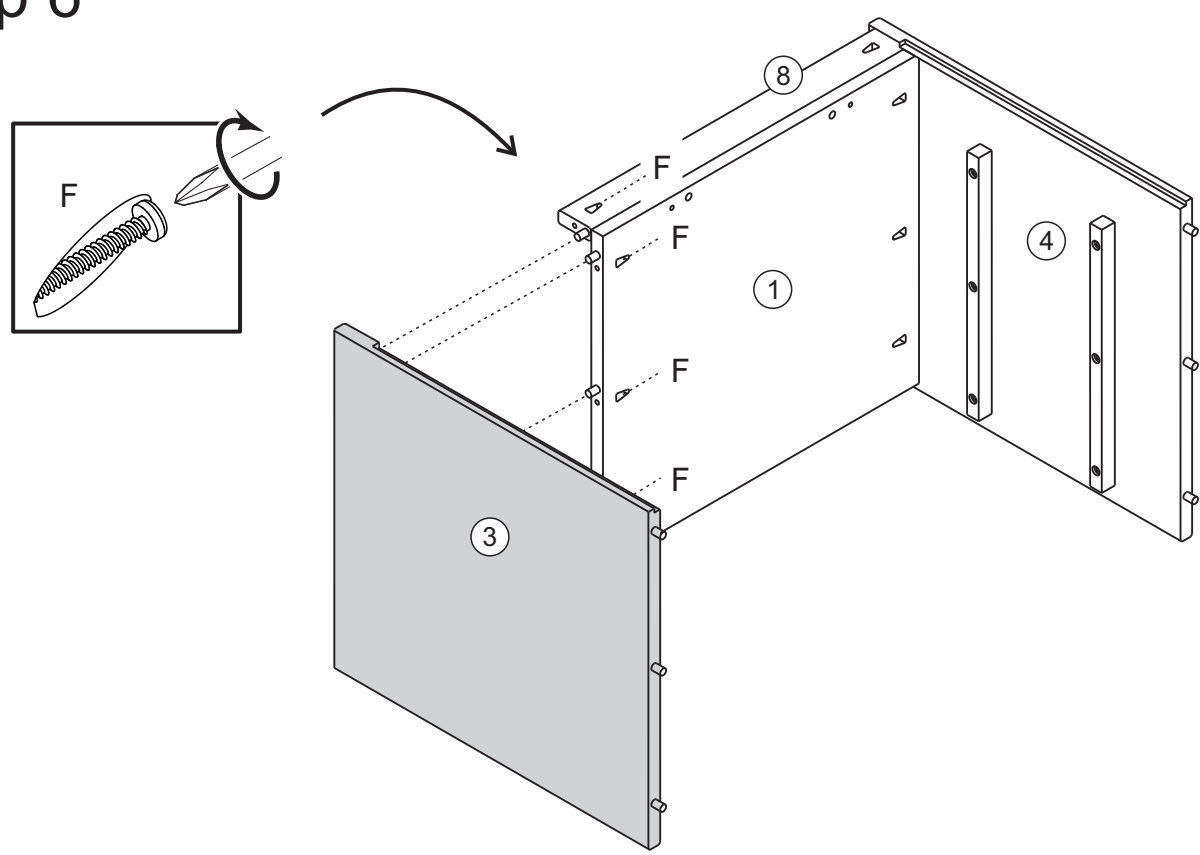
# Step 5



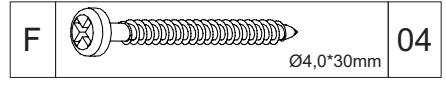
Secure part (1) and (8) to part (4) with screw (F) and screwdriver (not included).



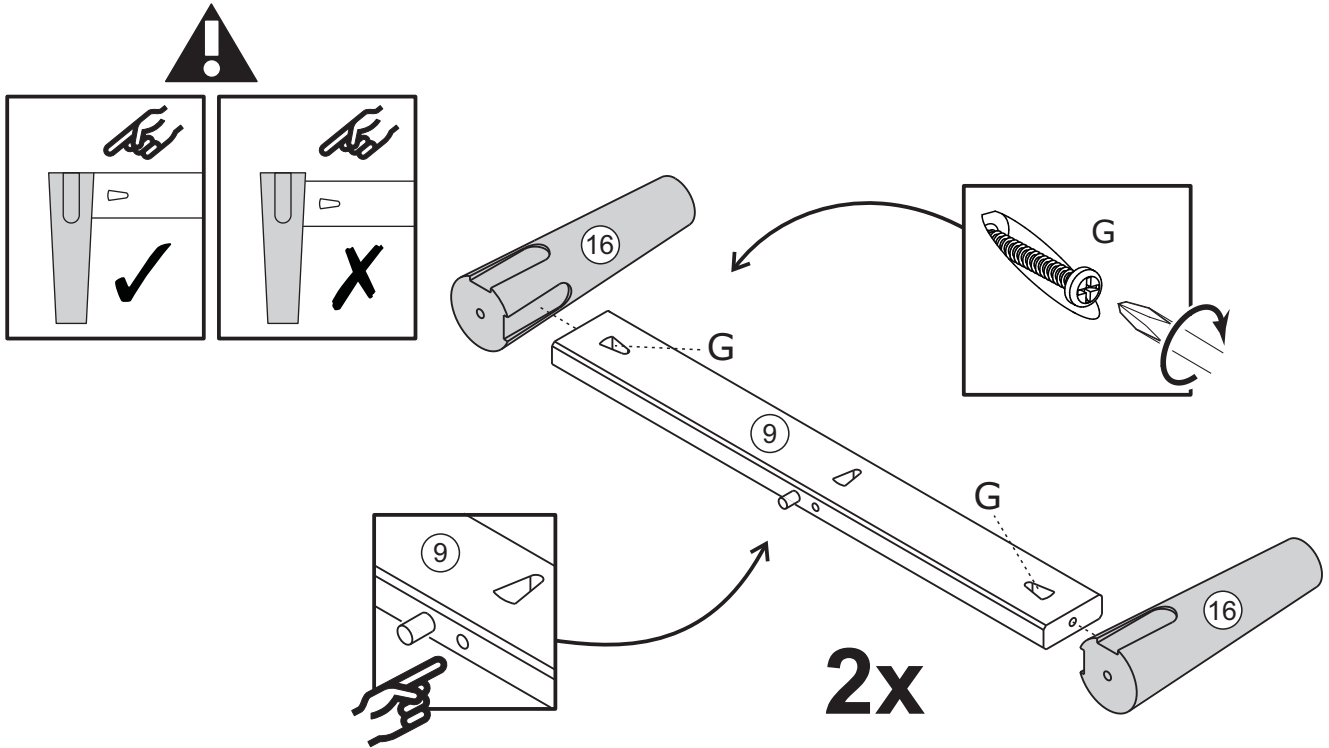
# Step 6



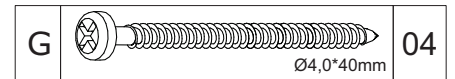
Secure parts (1) and (8) to part (3) with screw (F) and screwdriver (not included).



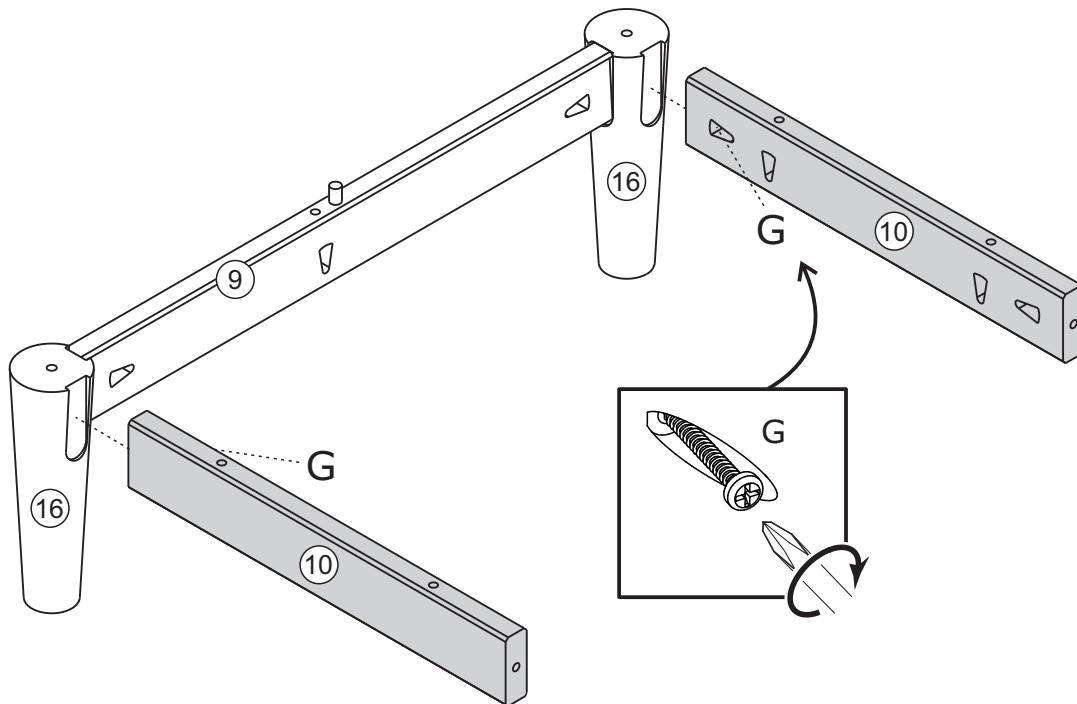
# Step 7



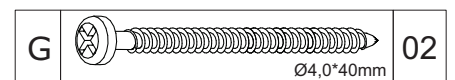
Secure part (9) to parts (16), with screw (G) and screwdriver (not included).



# Step 8

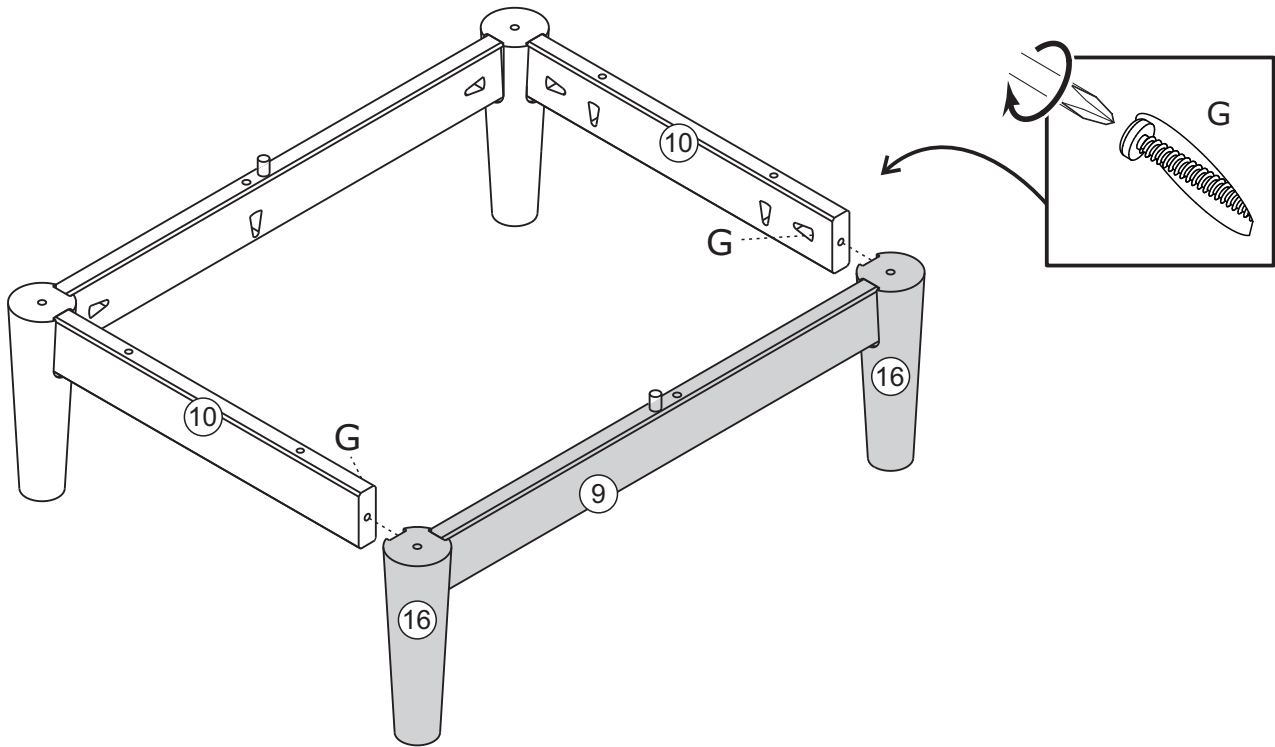


Secure part (10) to parts (16), with screw (G) and screwdriver (not included).

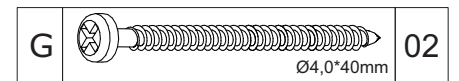




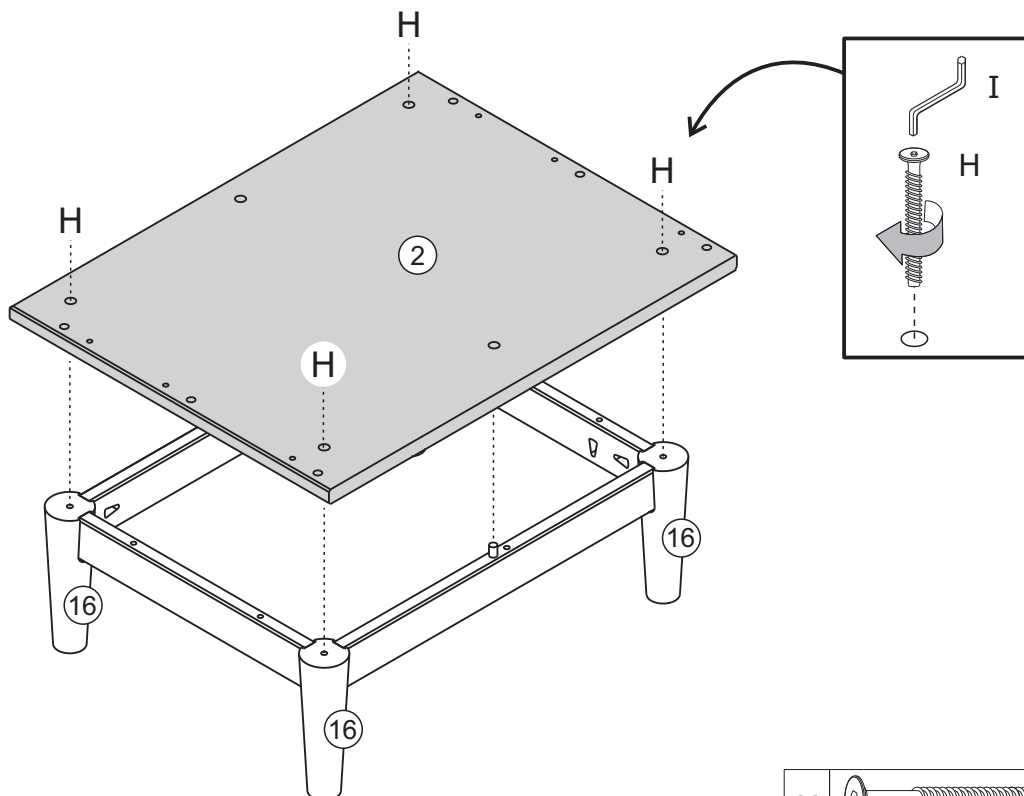
## Step 9



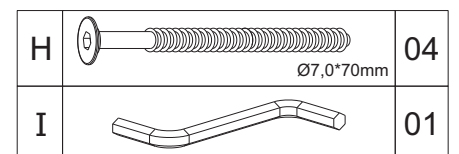
Secure part (10) to parts (16),  
with screw (G) and screwdriver (not included).



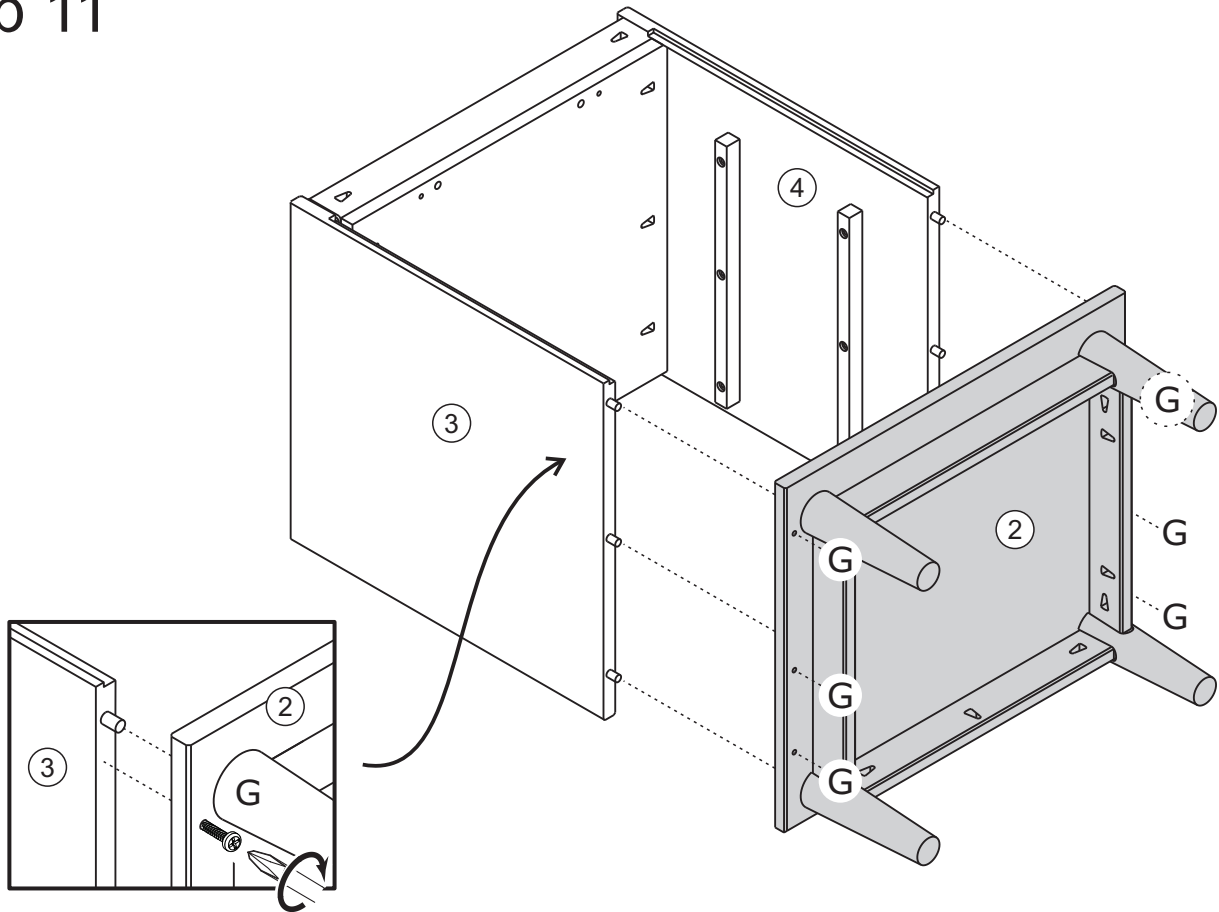
## Step 10



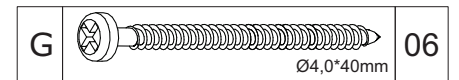
Secure part (2) to part (16) with screw (H) and hex key (I).



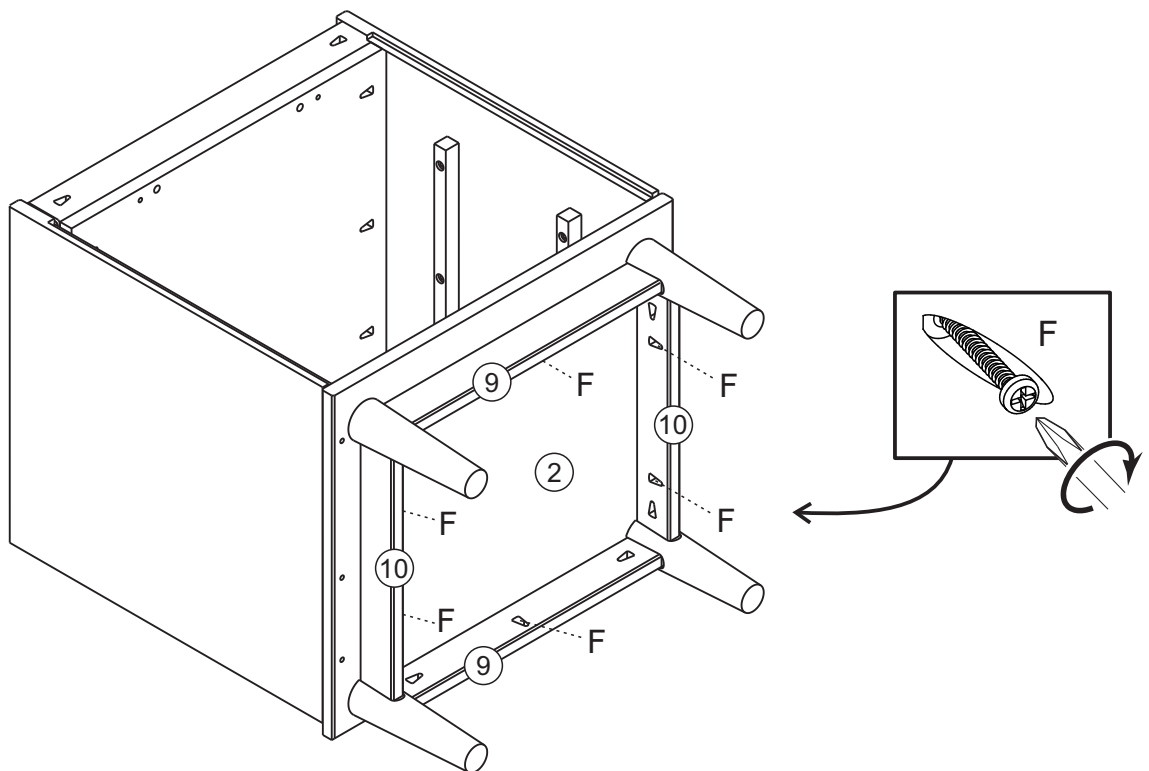
# Step 11



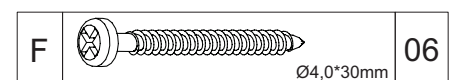
Secure part (2) to part (3) and (4) with screw (G) and screwdriver (not included).



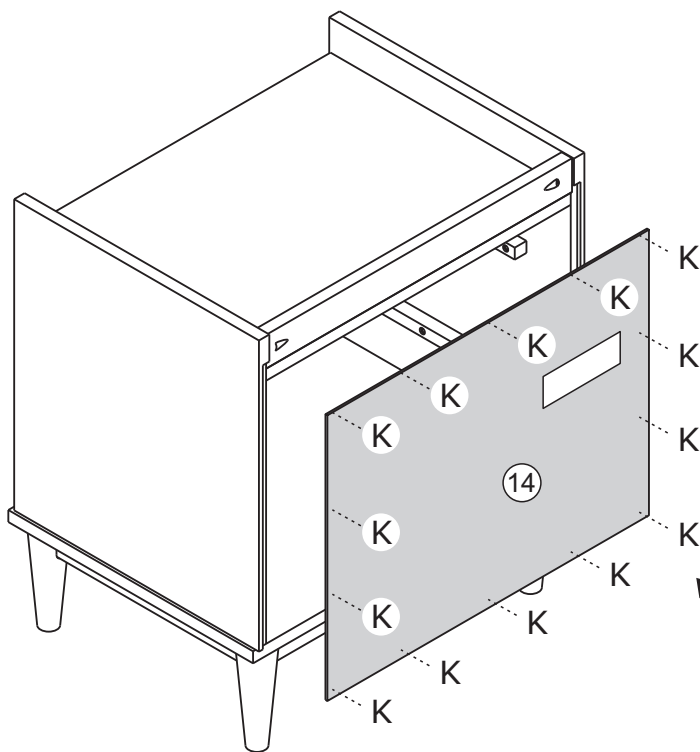
# Step 12



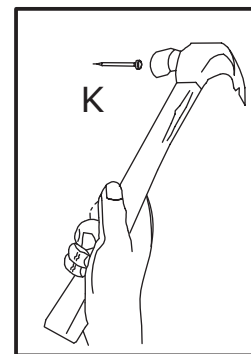
Secure parts (9) and (10) to part (2) and attach with screw (F) and screwdriver (not included).



# Step 13



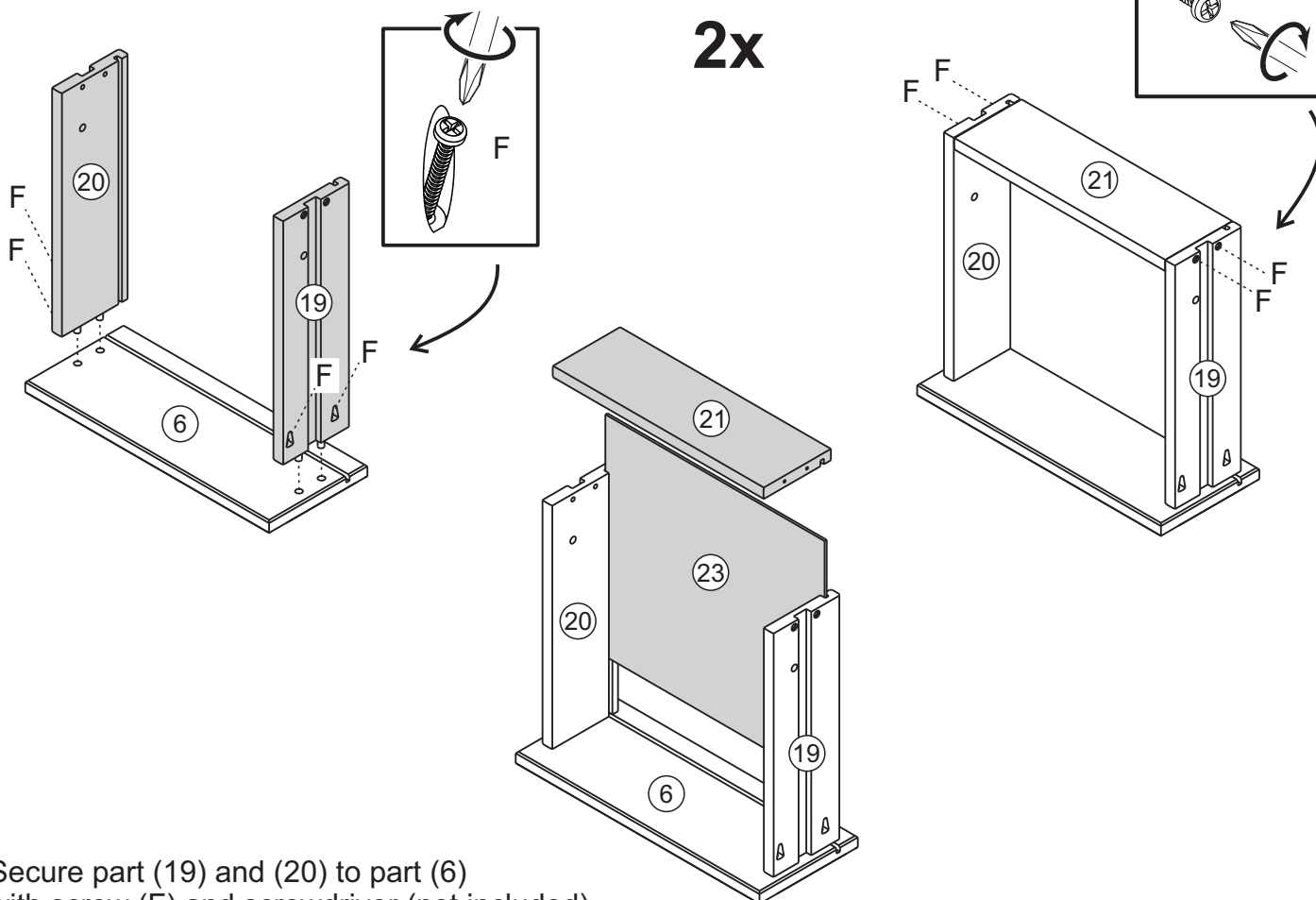
Name and address of the supplier and date of production.



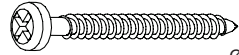
Secure back panel (14) as shown at above view to body with nails (K) and hammer (not included).

K		Ø8*8mm	16
---	---	--------	----

# Step 14

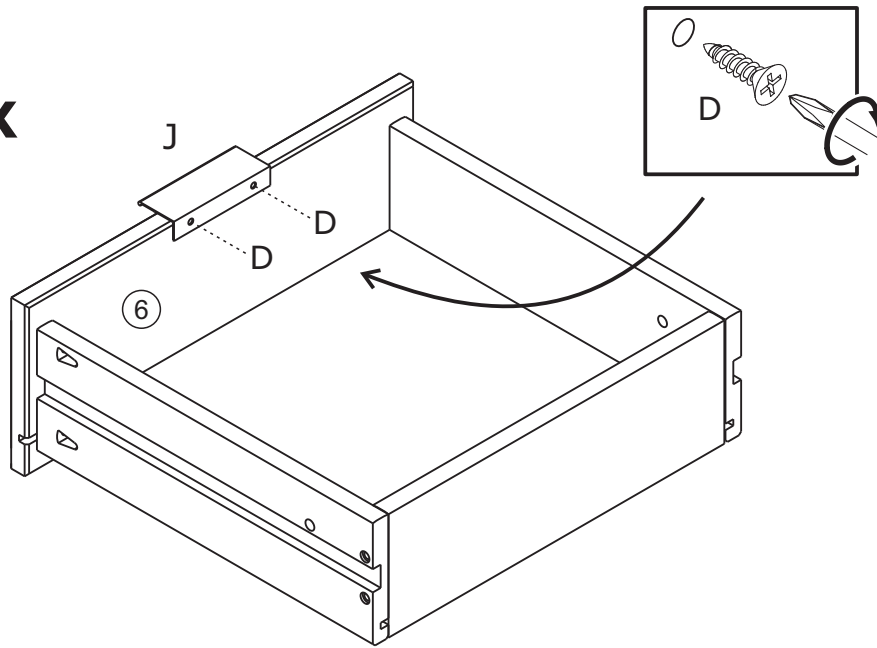


Secure part (19) and (20) to part (6) with screw (F) and screwdriver (not included).  
 Insert part (23) and (21) between parts (19) and (20).  
 Secure part (21) with screw (F) and screwdriver (not included).



F		Ø4,0*30mm	16
---	---	-----------	----

# Step 15

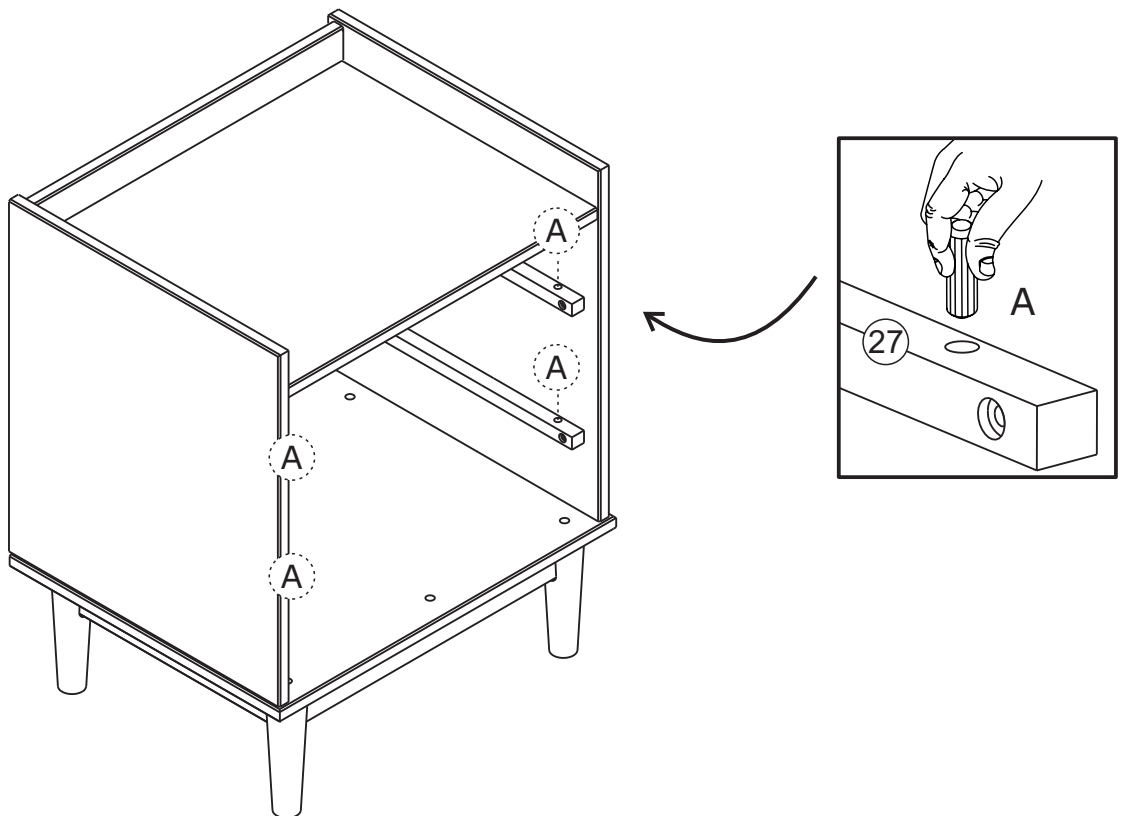
2x



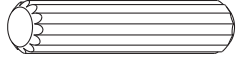
Secure handle (J) with screw (D) and screwdriver (not included), in the pre holes on the drawer front.

D		Ø3,0*12mm	04
J			02

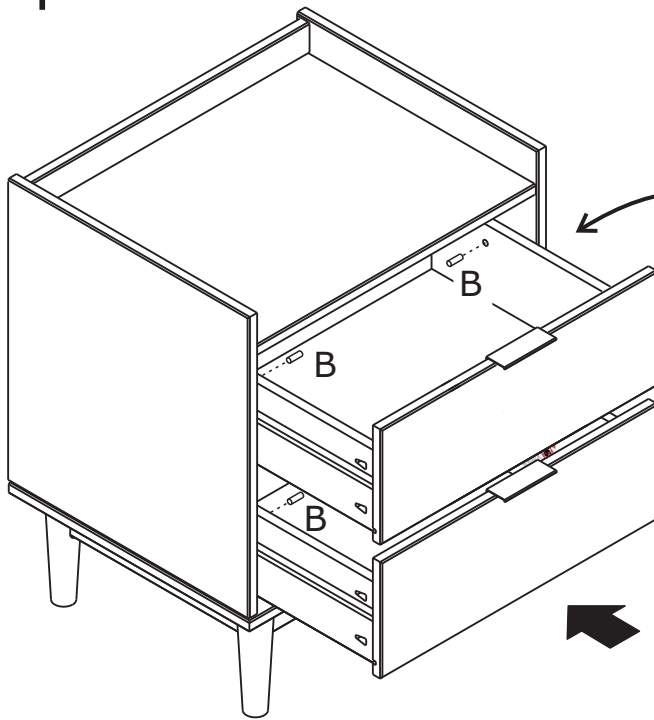
# Step 16



Insert wood dowel (A) into part (27) to be the stop of the drawer.

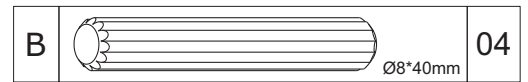
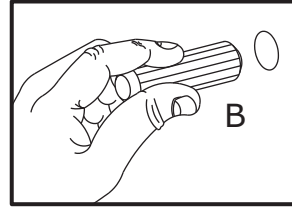
A		Ø8*30mm	04
---	---	---------	----

## Step 17

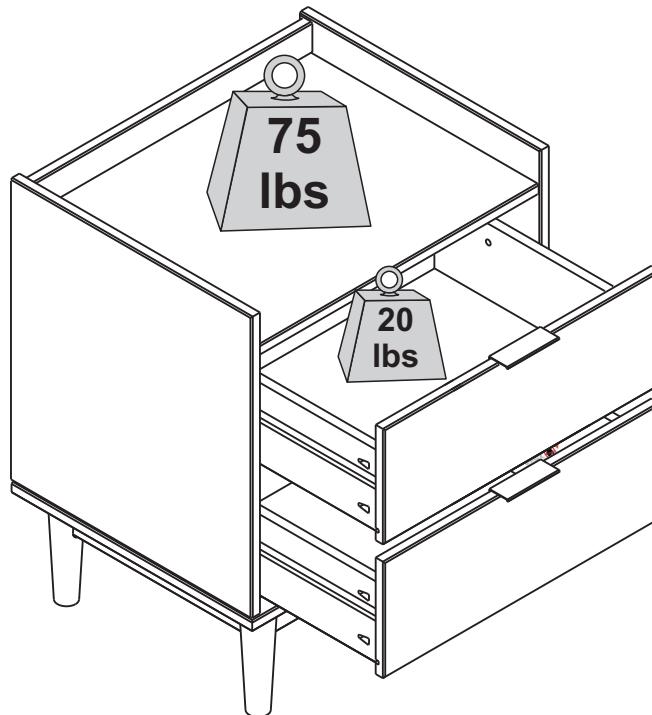


### Drawer Stop

Make sure dowel is flush with panel. Insert wood dowel (B) on the inside of all drawers while drawer is inside the unit.



## Step 18



## Assembly Complete!

### Maintenance Guide

To maintain long term performance and easy gliding of your solid wood drawers, we recommend applying wax to the wooden guide rails.

1. Bee's wax is recommended or Paraffin wax from a standard candle can be used.
2. Apply the wax by rubbing it on the wooden guide rails where there is wood-on-wood contact when opening and closing the drawer. (Wax should be room temperature, do not melt the wax onto the wood)
3. Wax should be applied every few months for the first year and then only when needed after that to keep the drawers sliding smoothly.