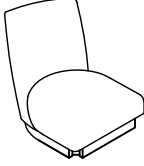
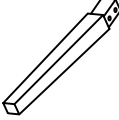
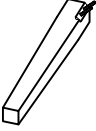






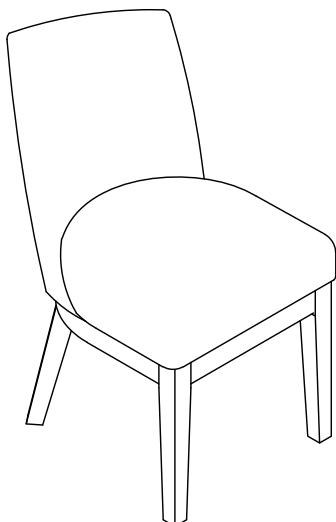


ASSEMBLY INSTRUCTIONS

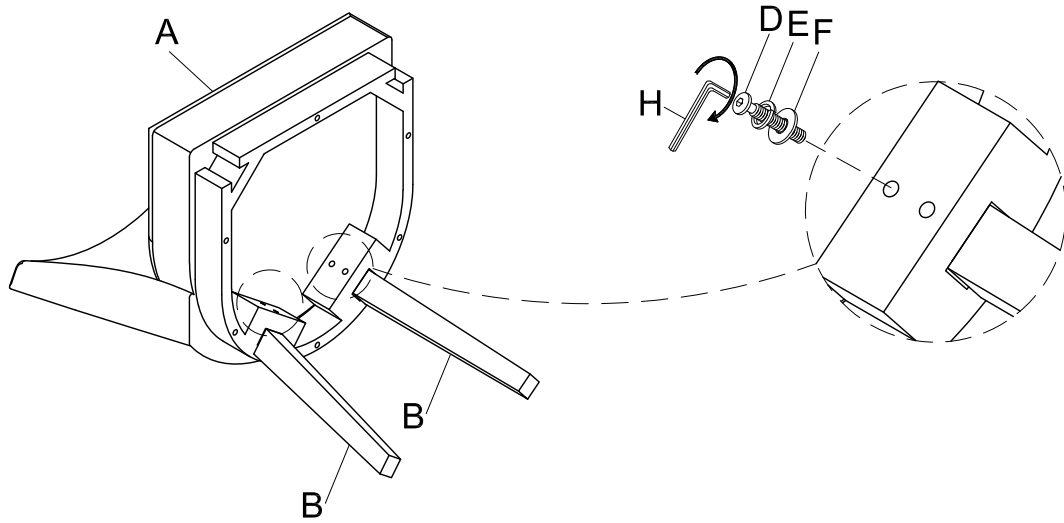
CURVED BACK DINING CHAIR

A Chair Seat	B Back Leg	C Front Leg	D Bolt 5/16" x 2"
			
1 PC	2 PCS	2 PCS	4 PCS
E Lock Washer 5/16"	F Flat Washer 5/16" x 3/4"	G Lock Nut 5/16"	H Allen Key M4
			
8 PCS	8 PCS	4 PCS	1 PC
I Wrench M12			
			
1 PC			

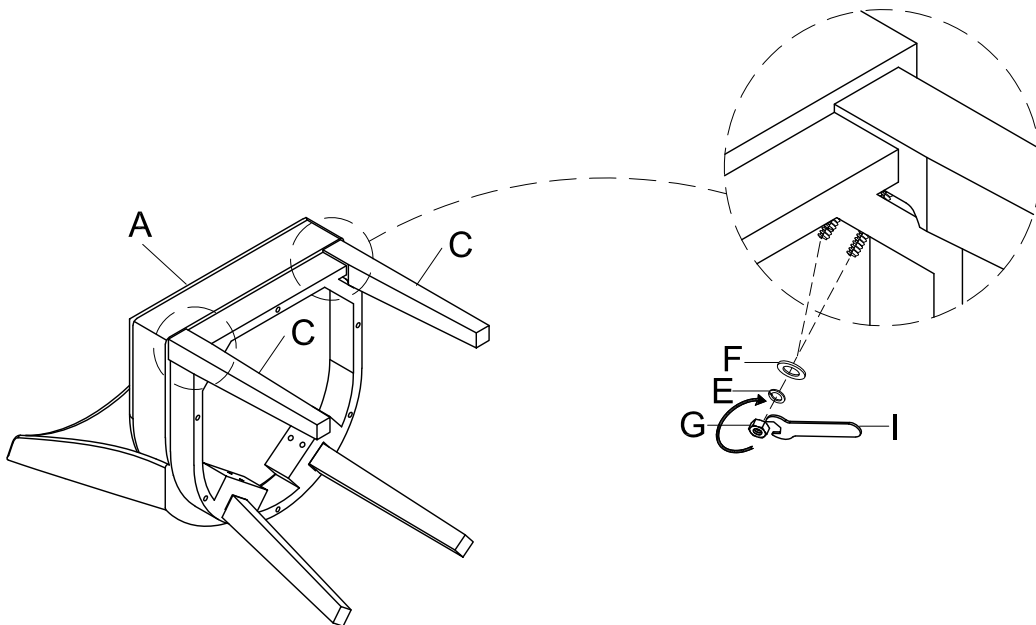


This page lists all the contents included in the box. Please take the time to identify the hardware as well as the individual components to this product. As you unpack and prepare for assembly, place the contents on a carpeted or padded area to protect them from damage.

- 1** Attach the Back Leg (B) to the Chair Seat (A) using Bolt (D), Lock Washer (E) and Flat Washer (F) with the Allen Key (H).



- 2** Attach the Front Leg (C) to the Chair Seat (A) using Flat Washer (F), Lock Washer (E) and Lock Nut (G) with the Wrench (I).



Cleaning & Care

Treat surfaces with care. Surfaces are resistant to scratches but are not scratch resistant. Clean surfaces with a dry or damp soft cloth. Do not use abrasive cleaners. Hardware may loosen over time. Periodically check that all connections are tight.