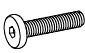





HEKMAN[®]

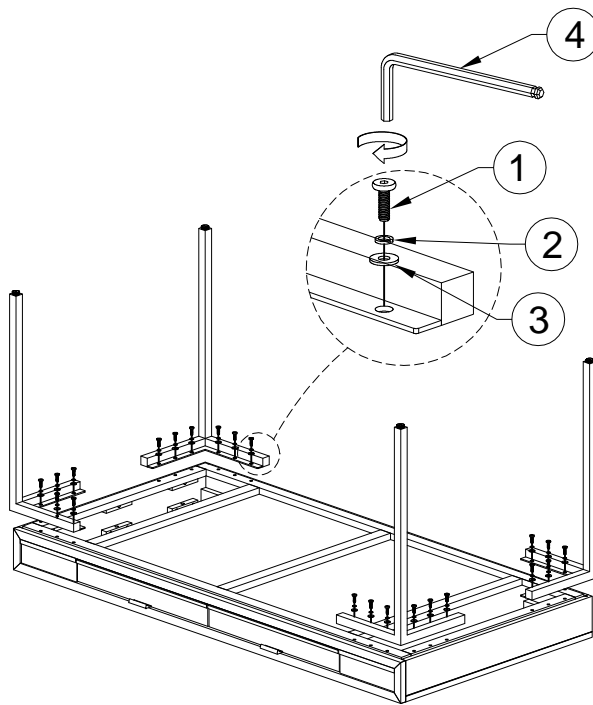
A HOWARD MILLER COMPANY

ASSEMBLY INSTRUCTIONS FOR 25340 WRITING DESK

HARDWARE LIST

| NO. | ITEM | DESCRIPTION | QTY | NO. | ITEM | DESCRIPTION | QTY |
|-----|---|-----------------|-----|-----|--|--------------|-----|
| 1 |  | BOLT Ø1/4" x 1" | 24 | 2 |  | LOCK WASHER | 24 |
| 3 |  | FLAT WASHER | 24 | 4 |  | ALLEN WRENCH | 1 |

STEP 2



TO ASSEMBLY:

STEP 1: Lay the top assembly face down on a piece of cloth or carpet to prevent the finish from scratching.

STEP 2: Attach the legs to the top assembly. Insert the flat washer (3), lock washer (2), with bolt (1) to the top assembly, tighten with allen wrench (4).

STEP 3: Assembly of the product is now completed.

