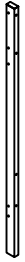


ASSEMBLY INSTRUCTION

E730T METAL TWIN/TWIN BUNK BED

A POST



2pcs

B LEFT BACK POST



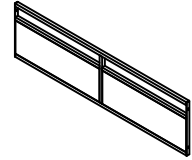
1pc

C RIGHT FRONT POST



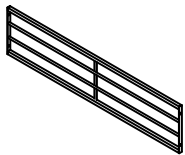
1pc

D TOP SIDE PANEL



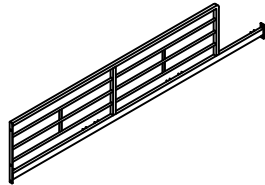
2pcs

E BOTTOM SIDE PANEL



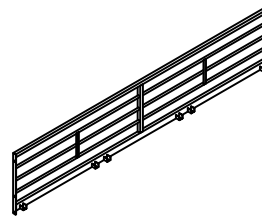
2pcs

F FRONT GUARDRAIL



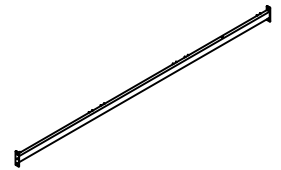
1pc

G BACK GUARDRAIL



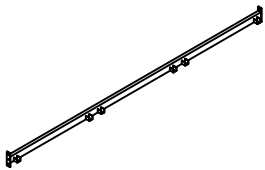
1pc

H FRONT RAIL



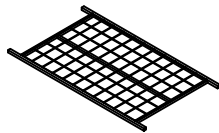
1pc

I BACK RAIL



1pc

J MATTRESS FRAME



6pcs

K LADDER



1pc

L BOLT
1/4",16MM



63pcs

M BOLT
1/4",64MM



1pc

N WASHER
ø16mm

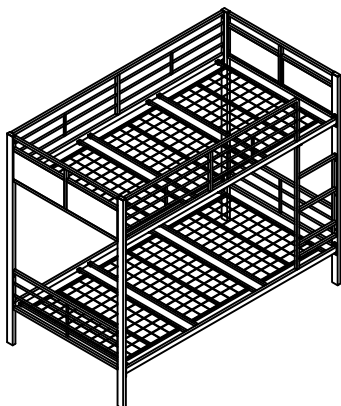


64pcs

O ALLEN WRENCH
4x4MM






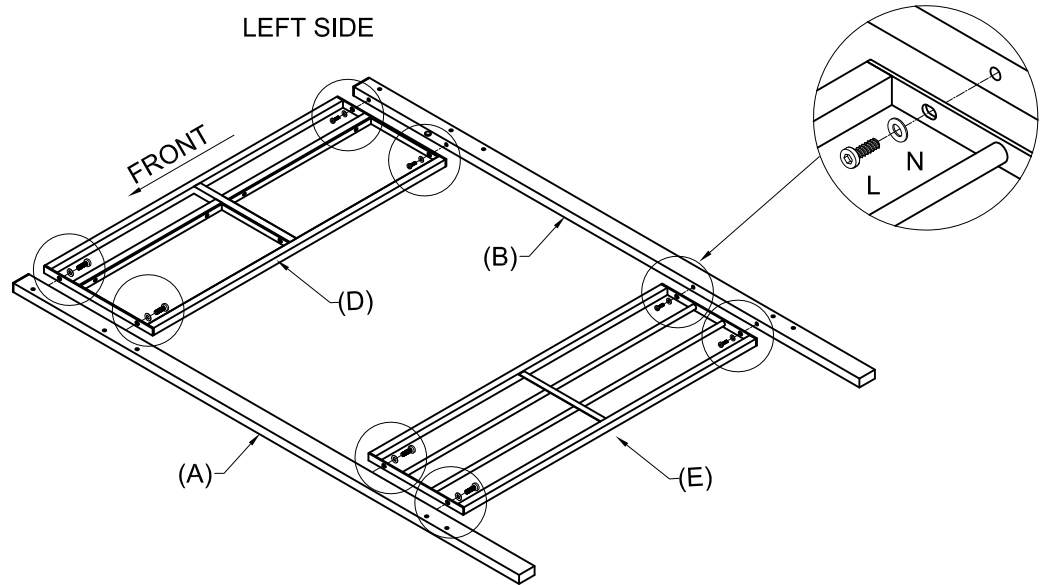
1pc






This page lists all the contents included in the box. Please take the time to identify the hardware as well as the individual components to this product. As you unpack and prepare for assembly, place the contents on a carpeted or padded area to protect them from damage.

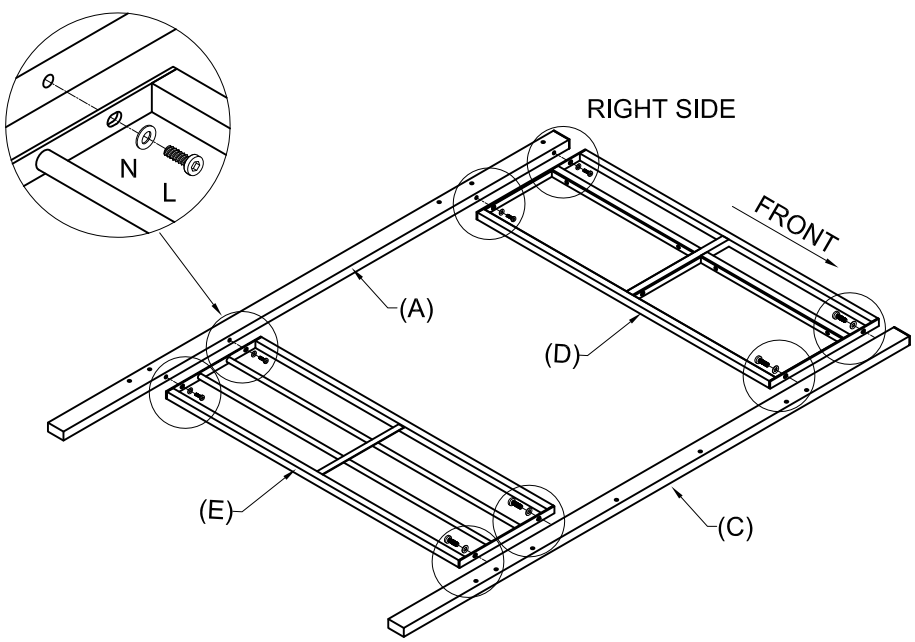
1 Assemble the post (A) and the left back post (B) to the top side panel (D) and the bottom side panel (E) with 8 pcs Bolt (L), 8 pcs washer (N) then fastened using allen wrench (O).

- | | | |
|---|---|------|
| L |  | 8pcs |
| N |  | 8pcs |
| O |  | |



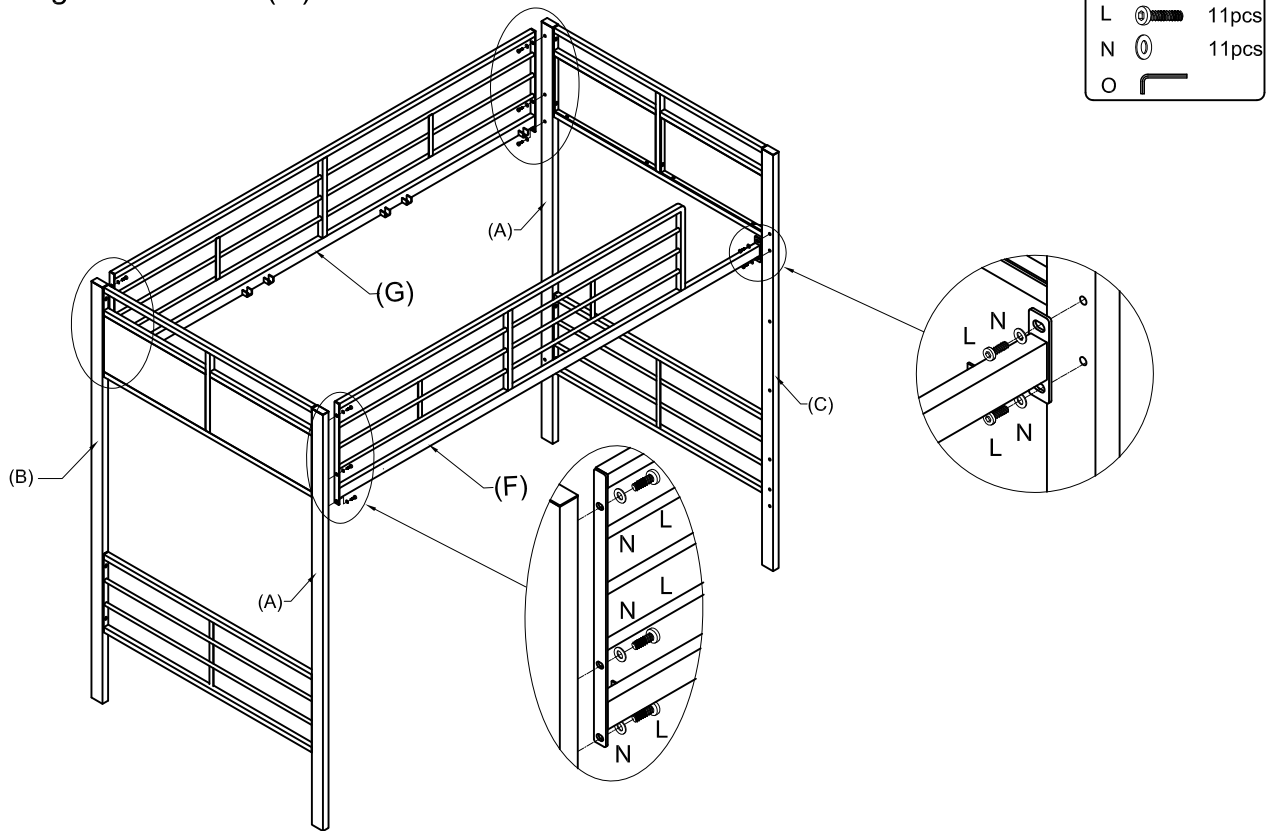
2 Assemble the post (A) and the right front post (C) to the top side panel (D) and the bottom side panel (E) with 8 pcs Bolt (L), 8 pcs washer (N) then fastened using allen wrench (O).

- | | | |
|---|---|------|
| L |  | 8pcs |
| N |  | 8pcs |
| O |  | |

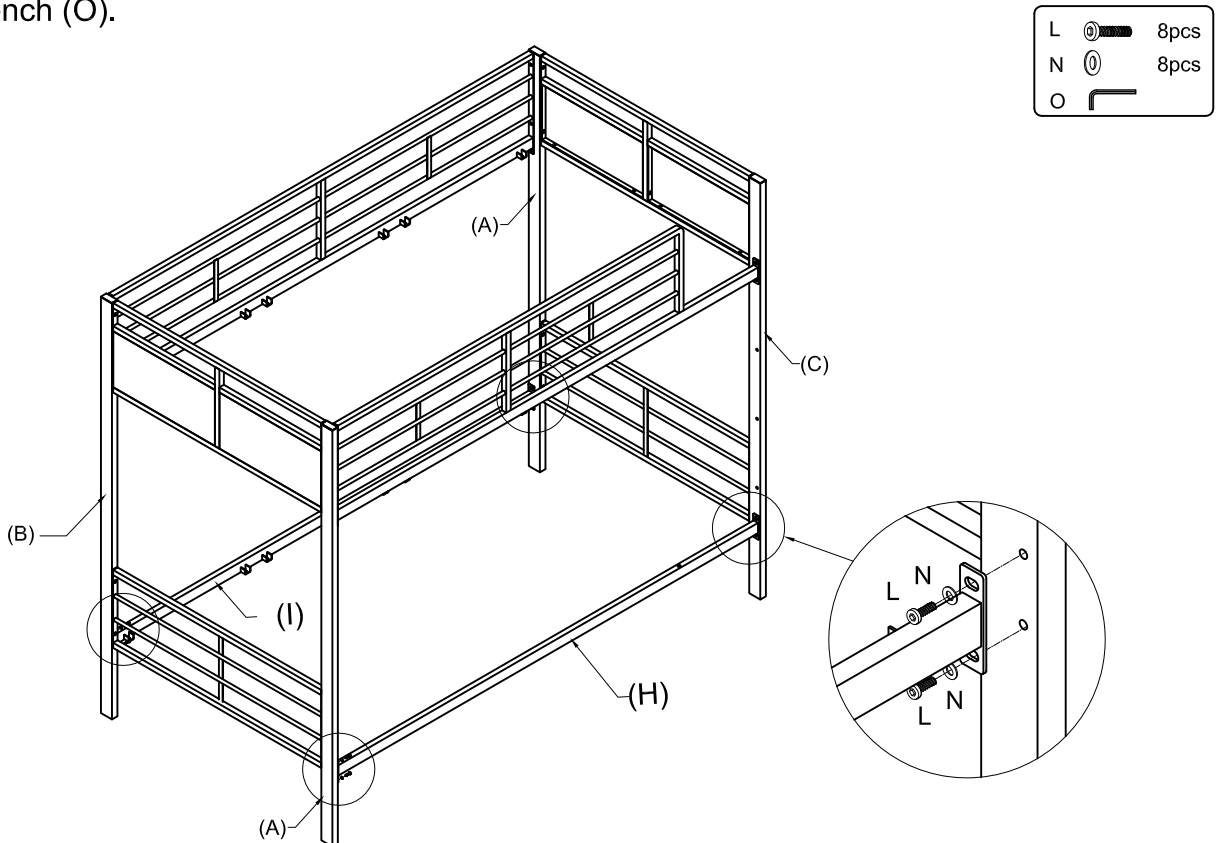


3

Assemble the front guardrail (F) and the back guardrail (G) to the post (A), the left back post (B) and the right front post (C) with 11 pcs bolt (L), 11 pcs washer (N) then fastened using allen wrench (O).

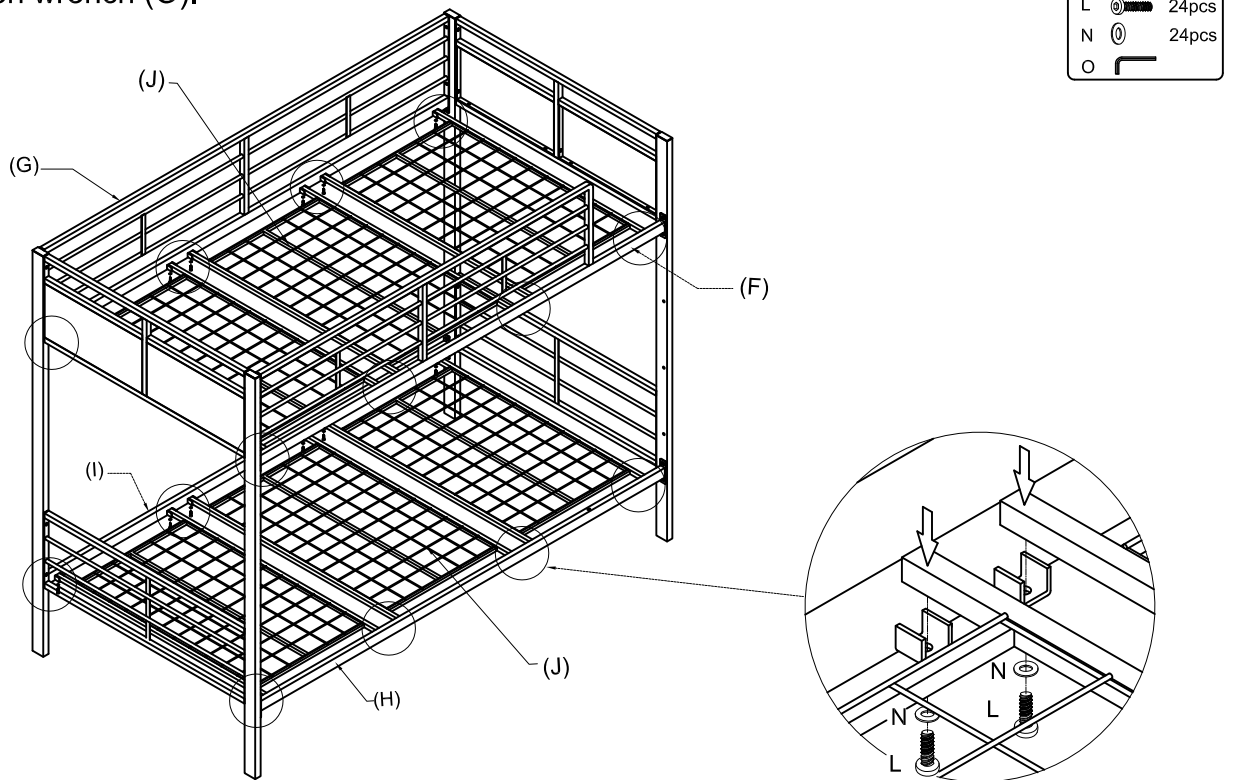
**4**

Assemble the front rail (H) and the back rail (I) to the post (A), the left back post (B) and the right front post (C) with 8 pcs bolt (L), 8 pcs washer (N) then fastened using allen wrench (O).

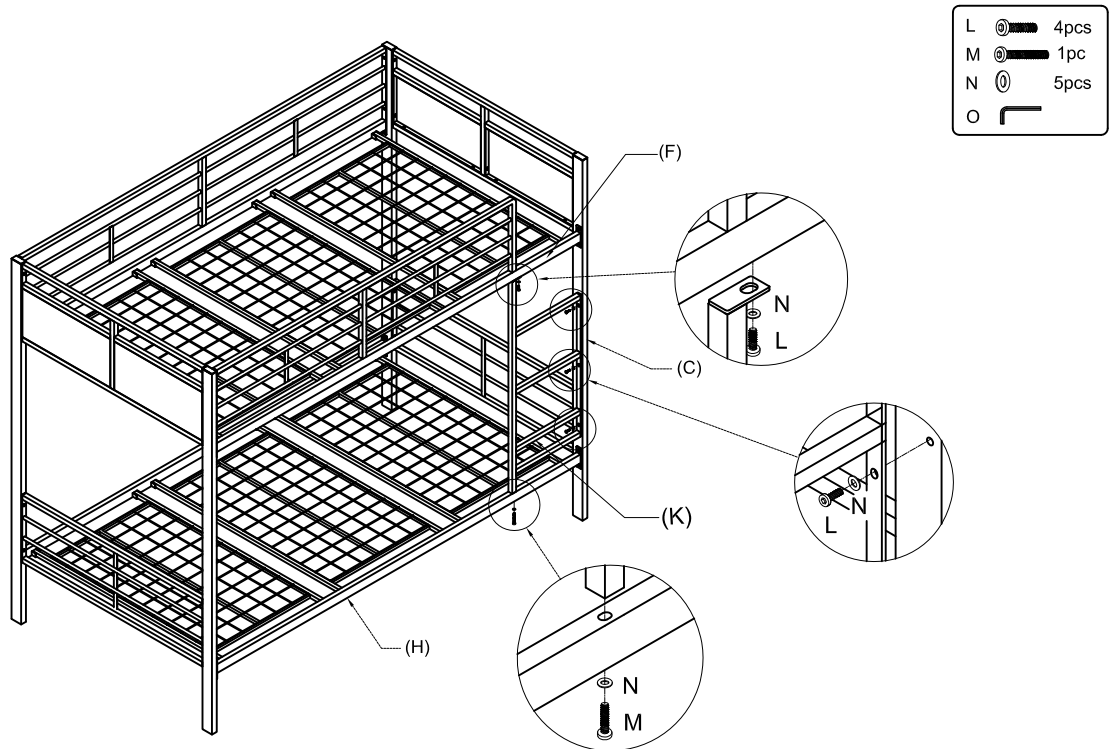


5

Assemble the mattress frame (J) to the front rail (H), the back rail (I), the front guardrail (F) and the back guardrail (G) with 24 pcs bolt (L), 24 pcs washer (N) then fastened using allen wrench (O).

**6**

Assemble the ladder (K) to the right front post (C), the front rail (H) and the front guardrail (F) with 4 pcs bolt (L), 1 pc bolt (M) and 5 pcs washer (N) then fastened using allen wrench (O).



Cleaning & Care

Treat surface with care. Surface is resistant to scratches but is not scratch resistant. Clean surfaces with a dry or damp soft cloth. Do not use abrasive cleaners. Hardware may loosen over time. Periodically check that all connections are tight.

Safety Warnings

1. Follow the information on the warnings appearing on the upper bunk end structure and on the carton . Do not remove warning label from bed.
2. Always use the recommended size mattress or mattress support, or both, to help prevent the likelihood of entrapment or falls.
3. Surface of mattress must be at least 5 in (127mm). below the upper edge of guardrails .
4. Do not allow children under 6 years of age to use the upper bunk.
5. Periodically check and ensure that the guardrail, ladder ,and other components are in their proper position ,free from damage ,and that all connectors are tight .
6. Do not allow horseplay on or under the bed and prohibit jumping on the bed.
7. Always use the ladder for entering and leaving the upper bunk.
8. Do not use substitute parts ,Contact manufacturer or dealer for replacement parts.
9. Use of a night light may provide added safety precaution for a child using the upper bunk.
10. Always use guardrails on both long sides of the upper bunk.
If the bunk bed will be placed next to the wall, the guardrail that runs the full length of the bed should be placed against the wall to prevent entrapment between the bed and the wall.
11. The use of water or sleep flotation mattress is prohibited .
12. Keep these instructions for future reference.
13. Use only mattress which is (74"-75")X(37 $\frac{1}{2}$ "-38 $\frac{1}{2}$ ")X6" on upper bunk and for bottom bunk required (74"-75")X(37 $\frac{1}{2}$ "-38 $\frac{1}{2}$ ")X8" mattress.
14. Prohibit more than one person on upper bunk.
15. Maximum total weight is not to exceed 400 lbs. on the upper bunk.

STRANGULATION HAZARD:

Never attach or hang items to any part of the bunk bed that are not designed for use with the bed, for example, but not limited to, hooks, belts, and jumprobes.