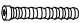


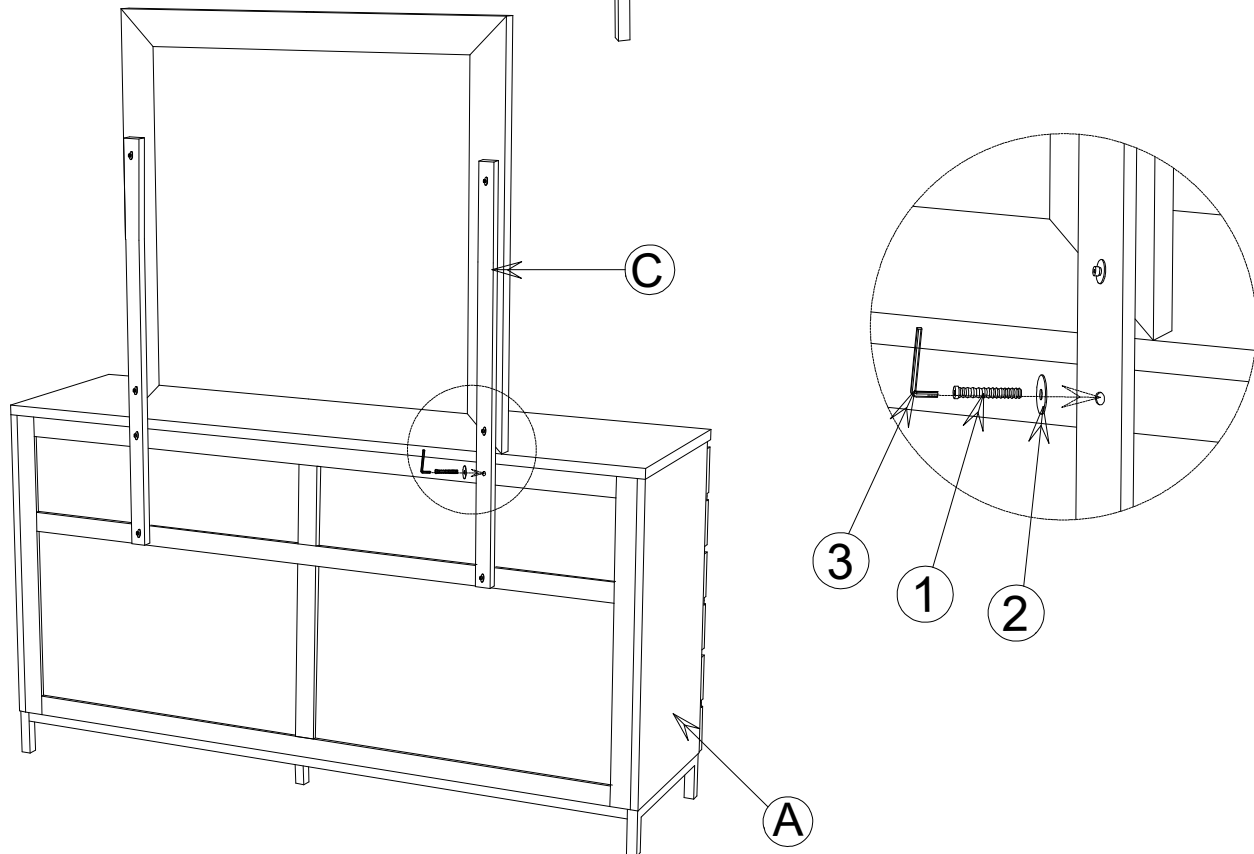


HEKMAN®

A HOWARD MILLER COMPANY

ASSEMBLY INSTRUCTION FOR 26160 DRESSER & 26166 MIRROR

HARDWARE LIST			
NO.	ITEM	DESCRIPTIN	QTY.
1		JCB Bolt M6 X 50 MM	8
2		Flat washer M8X25 MM	8
3		Allen wrench	1



ATTACHING THE MIRROR TO THE DRESSER :

Align the holes in the wooden supports (C) with holes in the back of dresser (A).
tighten it by using allen wrench (3) , JCB bolt (1) & washer (2).