

Features

- A selection of products within this collection is in stock and ready to ship. Please visit kallista.com/resources/#ReadyToShip for the complete list of Ready-to-Ship products and finishes
- High-quality solid-brass construction for durability and reliability
- Floor-mount, single hole installation
- Required mounting block sold separately (P20511-00-NA)
- Required handshower sold separately
- Spout reach is 11-7/8" (302 mm)
- Includes integral valve
- Includes hardware kit and escutcheon

Required Products/Accessories

P21660-00 Handshower With Hose

or

P24843-00 Wand Dual-Function Handshower with Hose

or

P20511-00 Multi-faucet mounting block

Adapters, Rough-in and Extension Kits

P20511-00 Range: 2-3/16" (56 mm) - 3" (76 mm)

Recommended Products/Accessories

P30801-00 4" cabinet pull

P34407-00 Disc Hook

P24492-LV Sink Faucet, Tall Spout, Lever Handles



Codes/Standards

ASME A112.18.1/CSA B125.1






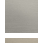
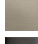



ASSE 1014

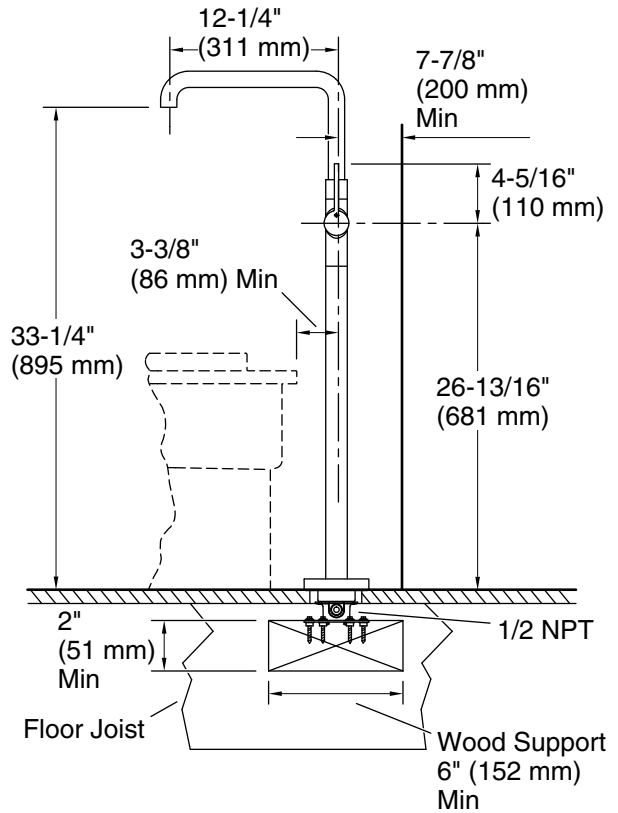
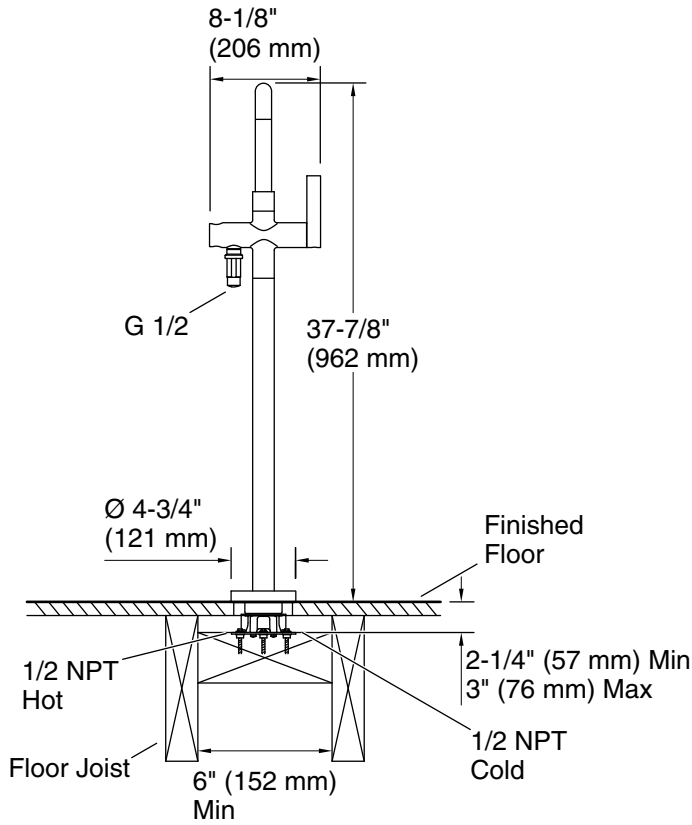
KALLISTA® Five-Year Limited Warranty

See website for detailed warranty information.

Available Colors/Finishes

Color tiles intended for reference only.

Color	Code	Description
	CP	Polished Chrome
	BL	Matte Black
	ULB	Unlacquered Brass
	BAF	Brushed French Gold
	BGP	Brushed Graphite
	BN	Brushed Nickel
	BV	Brushed Bronze
	PGP	Polished Graphite
	SN	Polished Nickel
	2MB	Brushed Moderne Brass



Technical Information

All product dimensions are nominal.

Faucet flow rate: 8 gal/min (30.3 l/min)

Spout:

Spout reach: 12-5/16" (312 mm)

Handle clearance: 3-7/16" (87 mm)

Notes

Install this product according to the installation instructions.