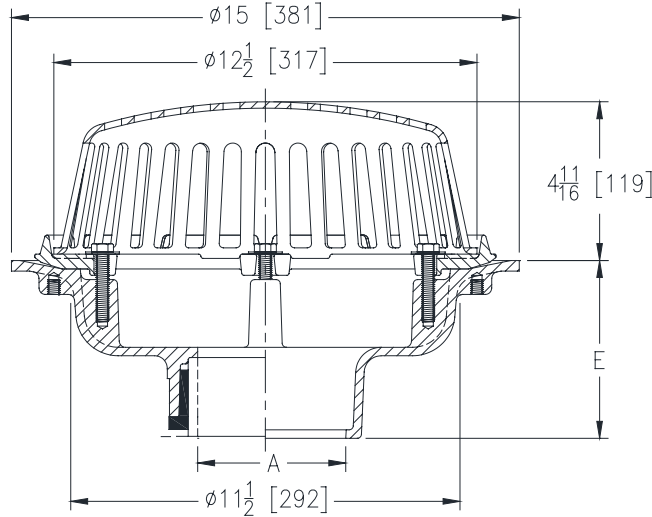




Z100
 15 [381] DIAMETER MAIN DRAIN
 LOW SILHOUETTE DOME

Design and Dimensional Data (inches and [mm]) are Subject to Manufacturing Tolerances and Change Without Notice



A Pipe Size In. [mm]	Approx. Wt. Lbs. [kg]	Dome Open Area Sq. In. [cm ²]
2, 3, 4, [51, 76, 102]	26 [12]	103 [665]
5, 6 [127, 152]	27 [12]	
8 [203]	28 [13]	

ENGINEERING SPECIFICATION: ZURN Z100
 15" [381mm] Diameter roof drain. Dura-Coated cast iron body with combination membrane flashing clamp/gravel guard and low silhouette Poly-Dome.

OPTIONS (Check/specify appropriate options)

PIPE SIZE

- 3, 4, 5, 6 [76, 102, 127, 152]
- 8 [203]
- 2, 3, 4, 6, 8 [51, 76, 102, 152, 203]
- 2, 3, 4, 5, 6, 8 [51, 76, 102, 127, 152, 203]
- 2, 3, 4 [51, 76, 102]
- 6 [102]

(Specify size/type) **OUTLET**

- ___ IC Inside Caulk
- ___ IC Inside Caulk
- ___ IP Threaded
- ___ NH No-Hub
- ___ NL Neo-Loc
- ___ NL Neo-Loc

'E' BODY HT. DIM.

- 5-1/4 [133]
- 6 -13/16 [173]
- 3-3/4 [95]
- 5-1/4 [133]
- 4-9/16 [116]
- 5-7/16 [112]

PREFIXES

- ___ Z D.C.C.I. Body with Poly-Dome*
- ___ ZA D.C.C.I. Body with Aluminum Dome

- ___ ZC D.C.C.I. Body with Cast Iron Dome
- ___ ZRB D.C.C.I. Body with Plain Bronze Dome

SUFFIXES

- ___ -AC Angular Underdeck Clamp
- ___ -AR Acid Resistant Epoxy Coated
- ___ -AW 3/4 [19] to 4 [102] Adj. Water Level Regulator (Specify Height) (ZC Only)
- ___ -C Underdeck Clamp
- ___ -DE Deck Extension
- ___ -DP Top-Set® Deck Plate (Replaces both the -C and -R)
- ___ -DR Top-Set® Drain Riser
- ___ -E Static Extension 1 [25] thru 4 [102] (Specify Ht.)
- ___ -EA Adjustable Extension Assembly 2-1/8 [54] thru 3-1/2 [89]
- ___ -EB Top-Set® Adjustable Extension Assembly
- ___ -FG Flush Grate
- ___ -G Galvanized Cast Iron
- ___ -HD 6-3/4[171] High Aluminum Dome Strainer (148 Sq. In. [955 cm²] Open Area) (ZA Only)

- ___ -R Roof Sump Receiver
- ___ -SC Secondary Clamp Collar
- ___ -SS Stainless Steel Mesh Screen Over Dome
- ___ -ST Dome with Solid Top (ZA & ZC Only)
- ___ -TC Neo-Loc Test Cap Gasket (2, 3, 4 [51, 76, 102] NL Bottom Outlet Only)
- ___ -VP Vandal-Proof Secured Top
- ___ -W2 2 [51] Internal Water Dam
- ___ -W3 3 [76] Internal Water Dam
- ___ -W4 4 [102] Internal Water Dam
- ___ -84 Stainless Steel Perforated Gravel Guard
- ___ -85 Stainless Steel Perforated Extension
- ___ -89 2 [51] High External Water Dam
- ___ -90 90° Threaded Side Outlet Body

* Regularly furnished unless otherwise specified

⚠ WARNING: Cancer and Reproductive Harm - www.P65Warnings.ca.gov

⚠ ADVERTENCIA: Cáncer y daño reproductivo - www.P65Warnings.ca.gov

⚠ AVERTISSEMENT: Cancer et effets néfastes sur la reproduction - www.P65Warnings.ca.gov