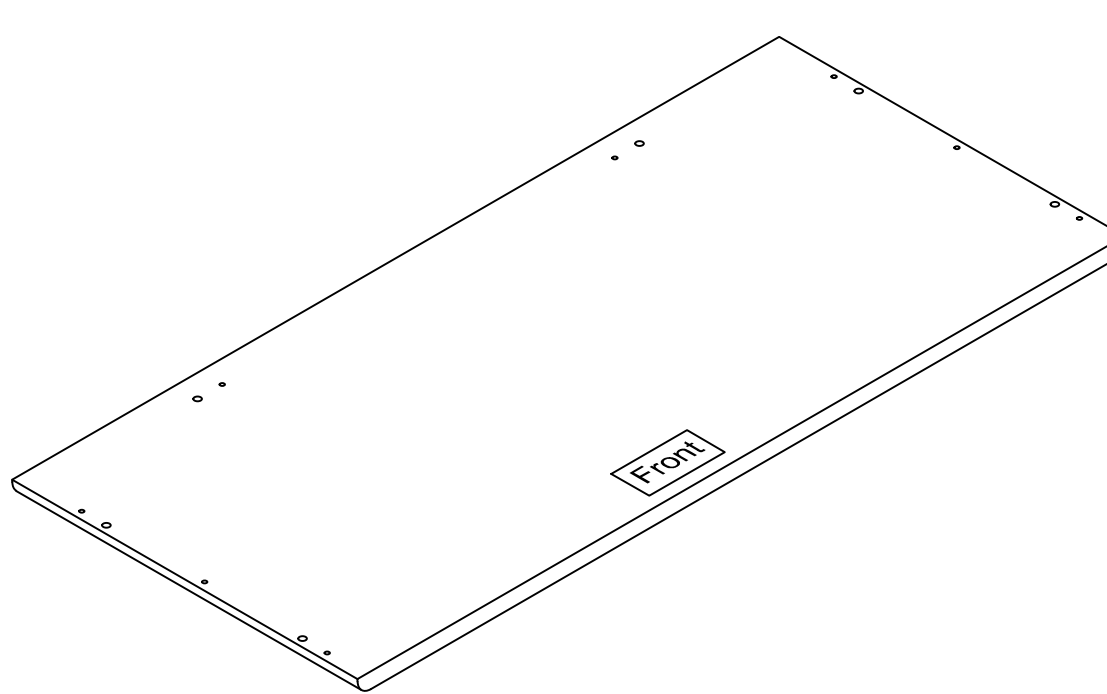
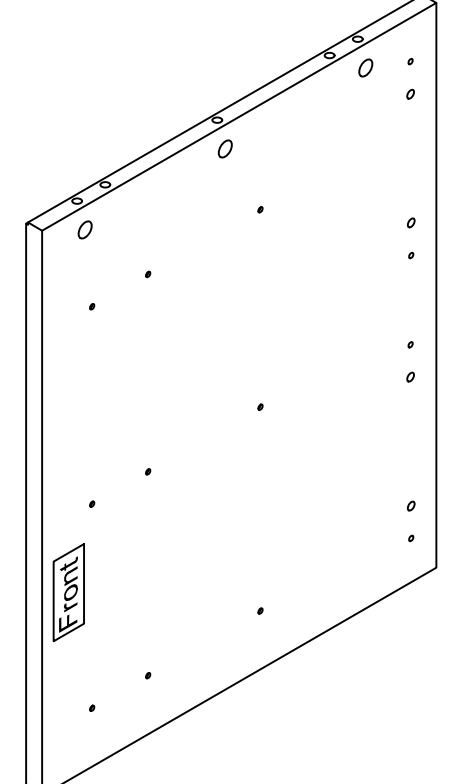
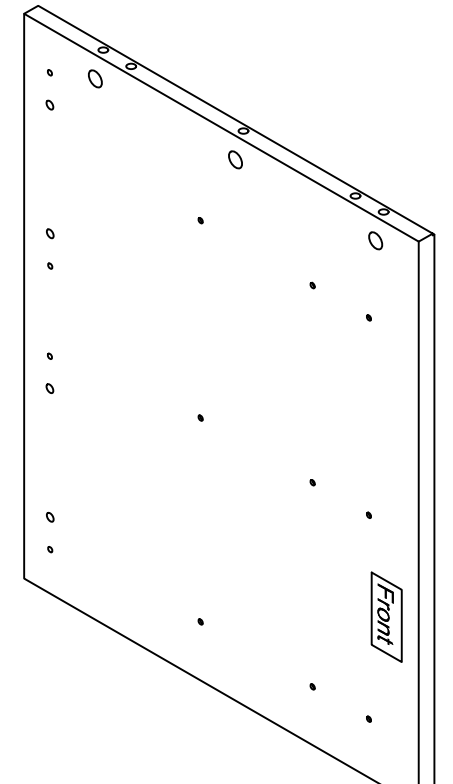
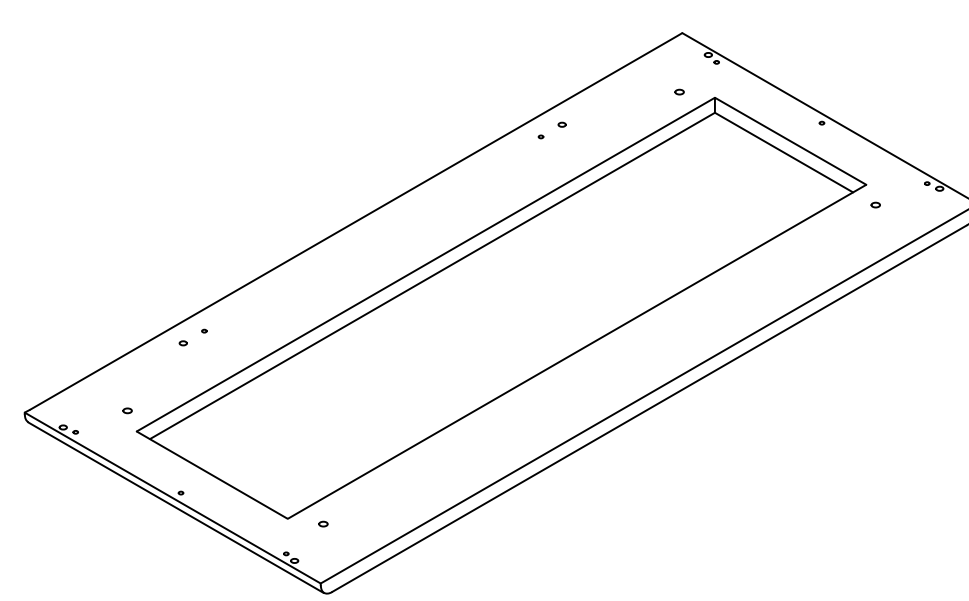
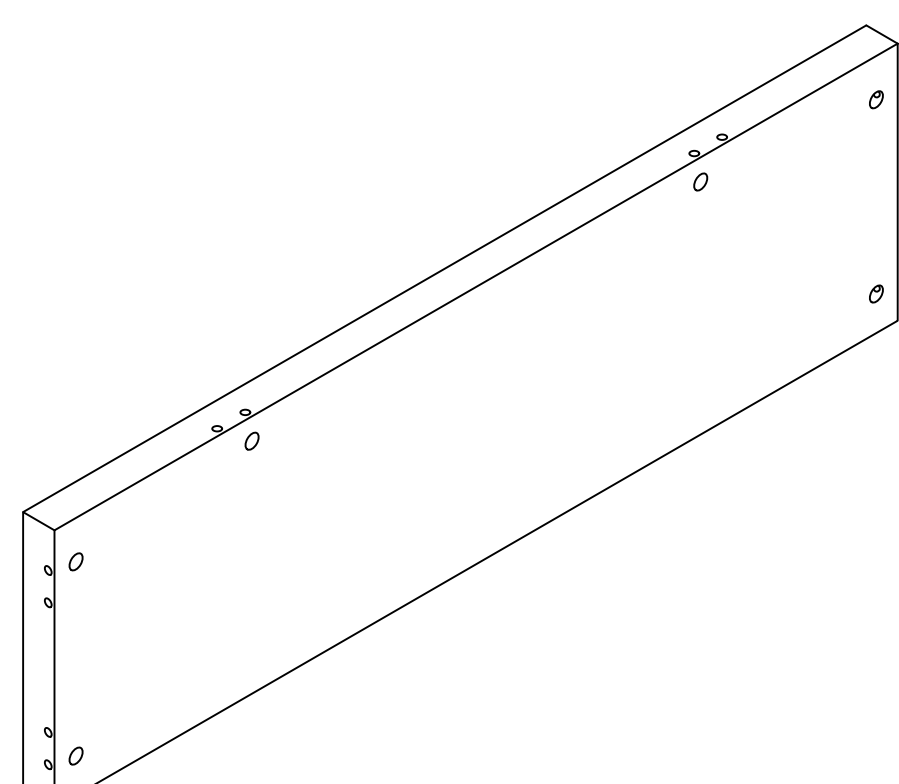
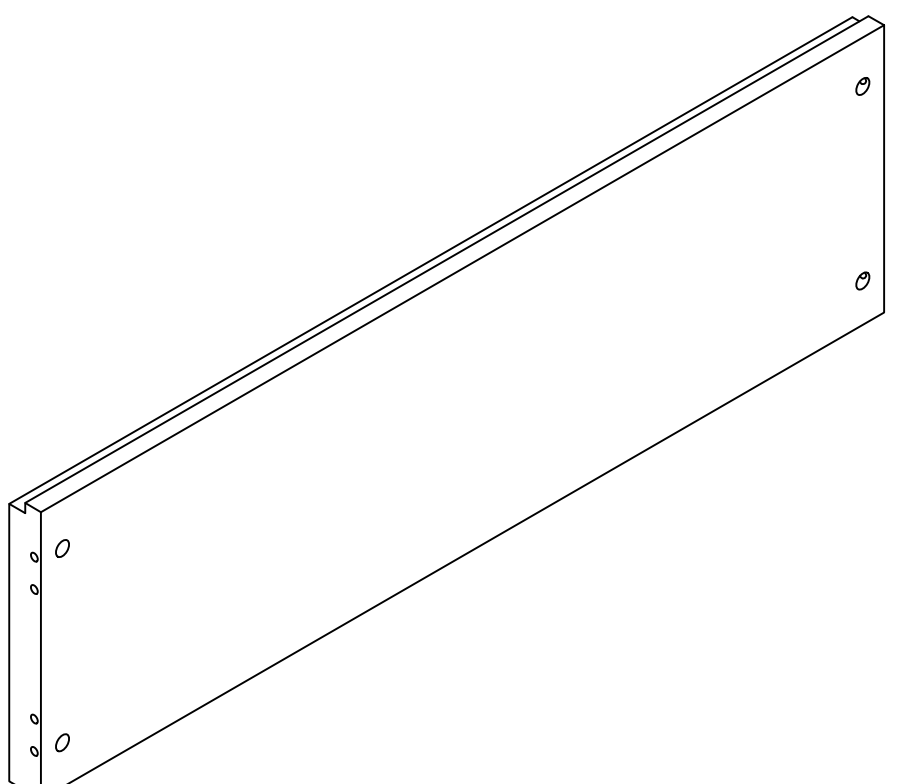
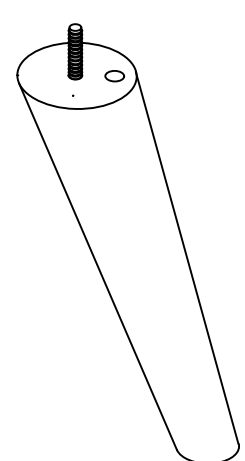
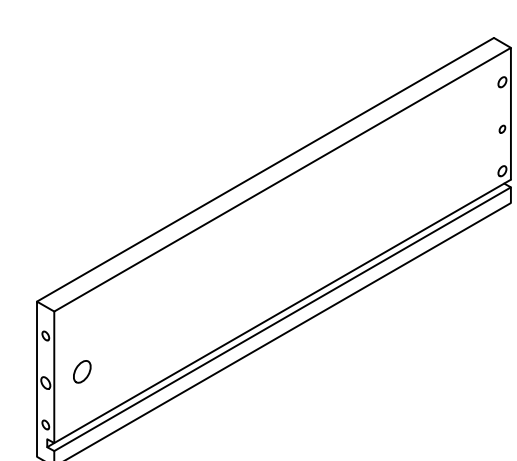
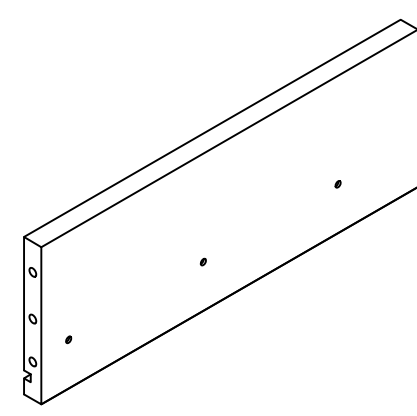
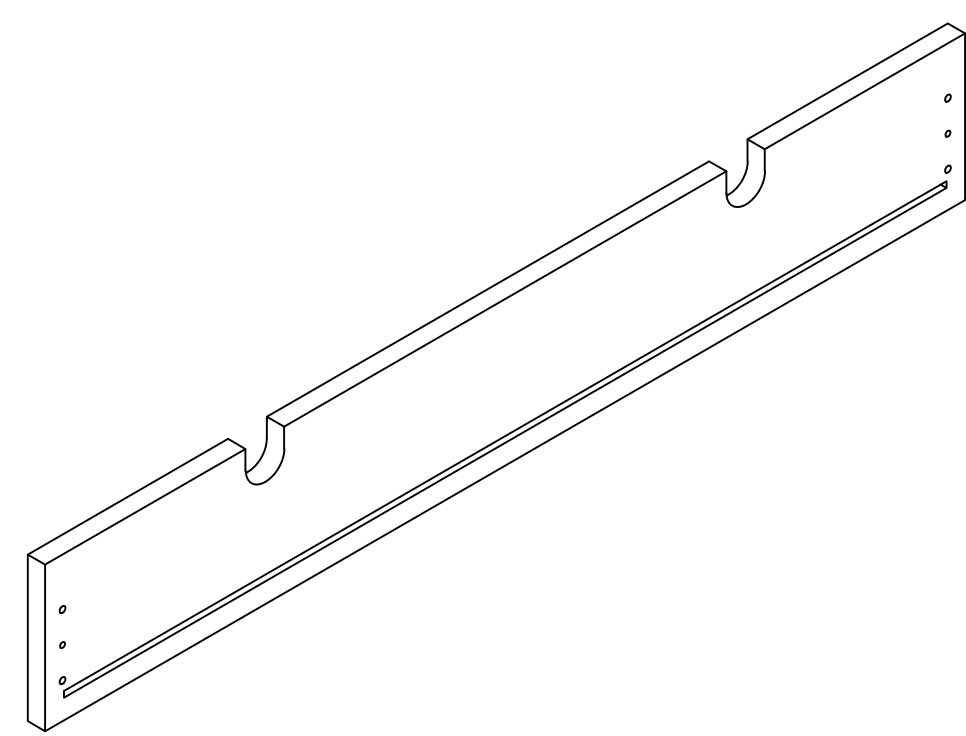
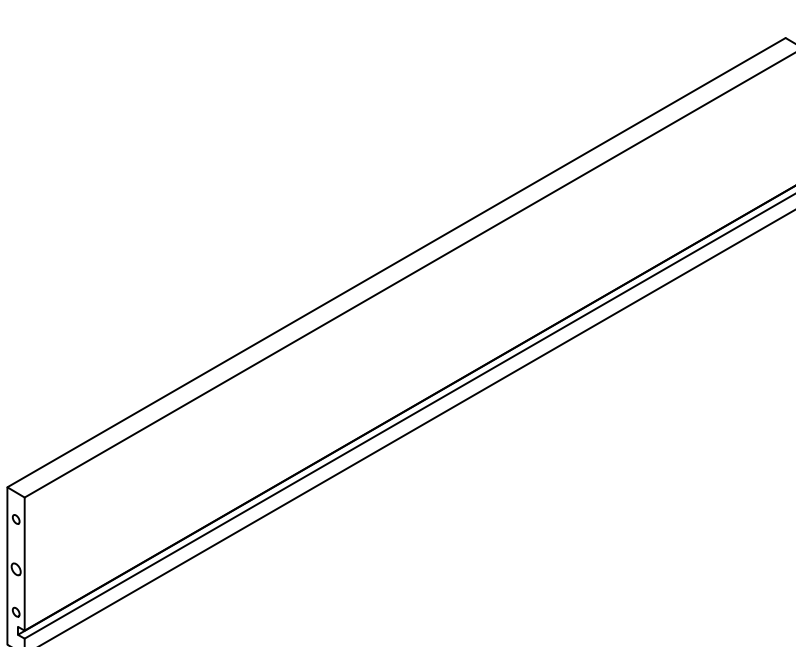
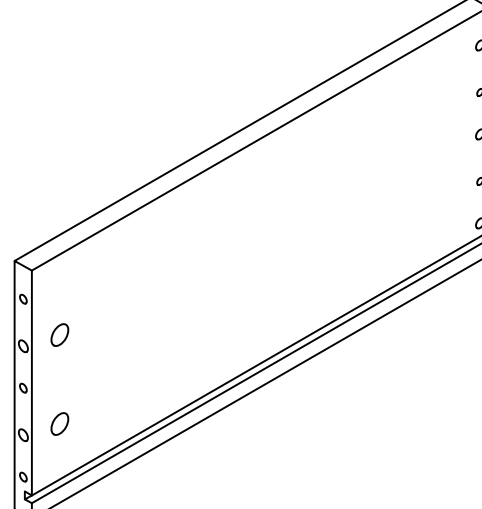
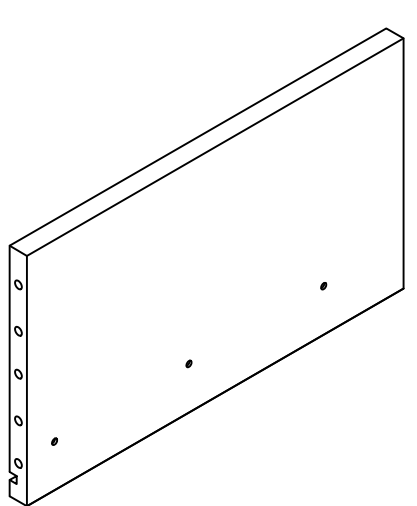
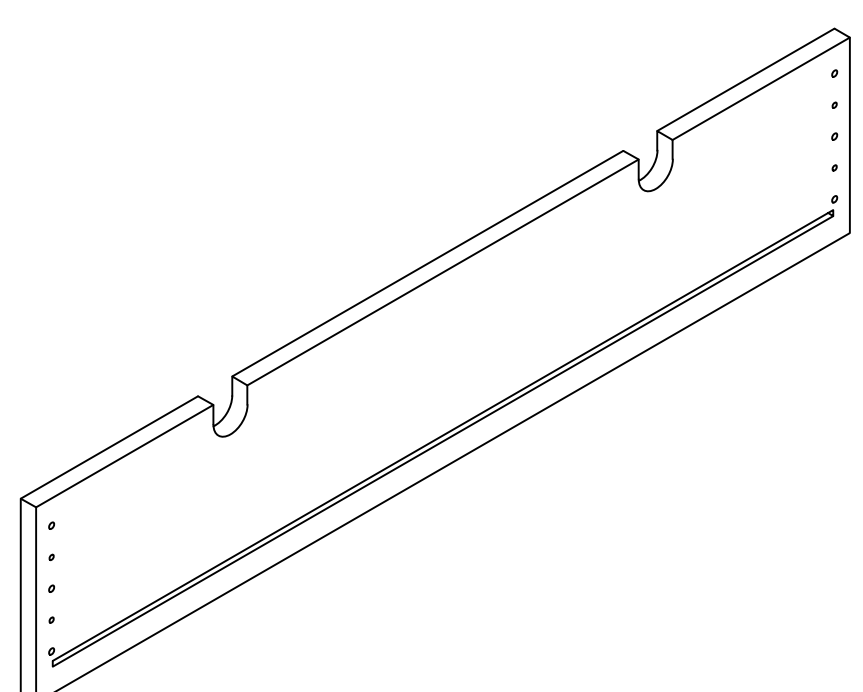
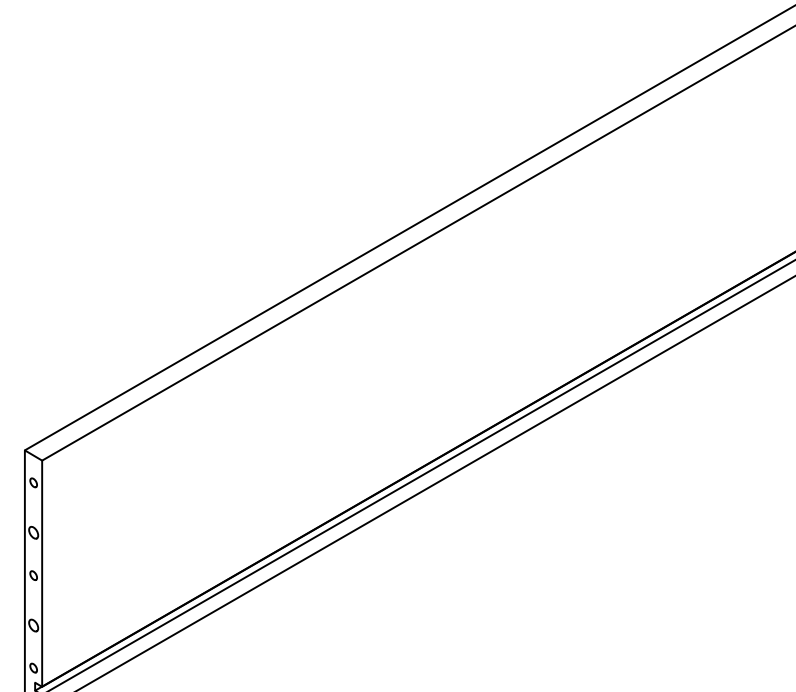
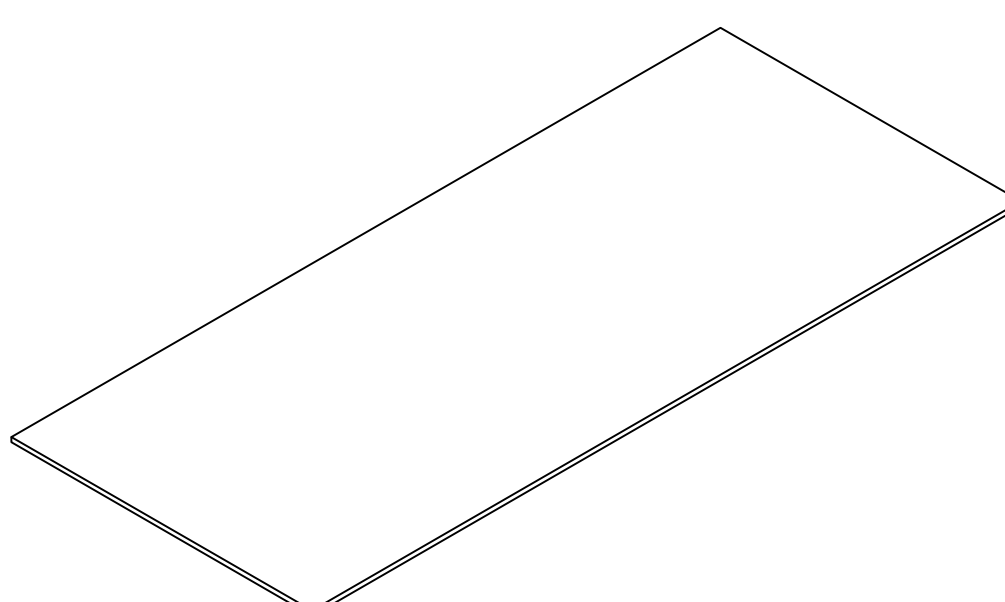
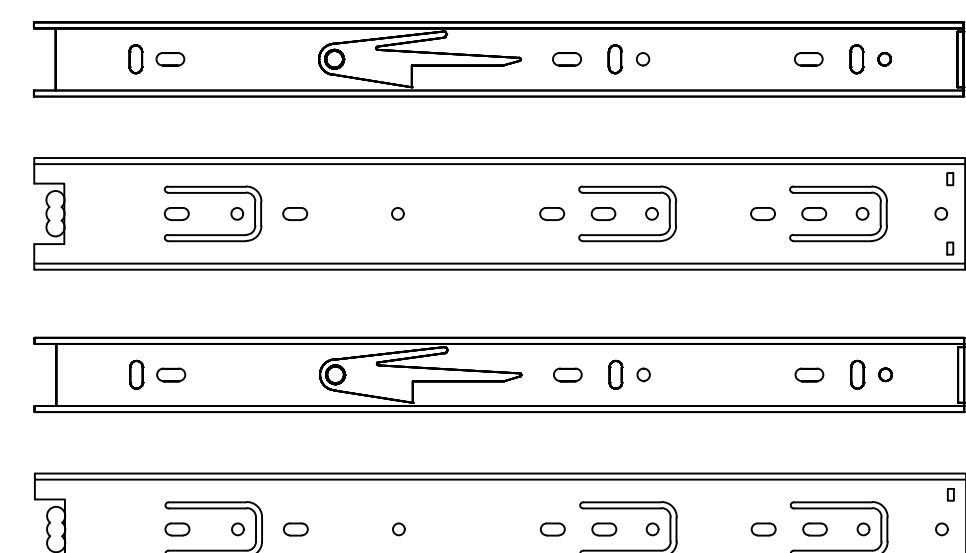
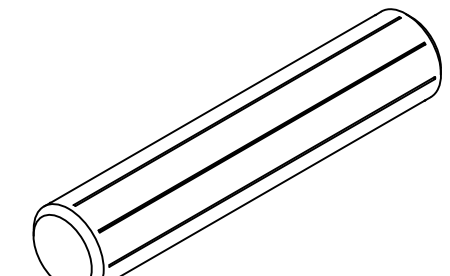
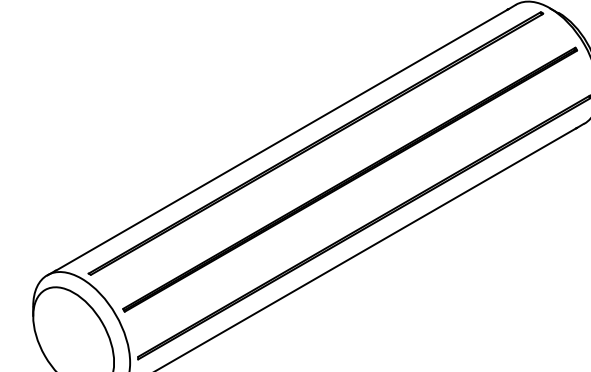
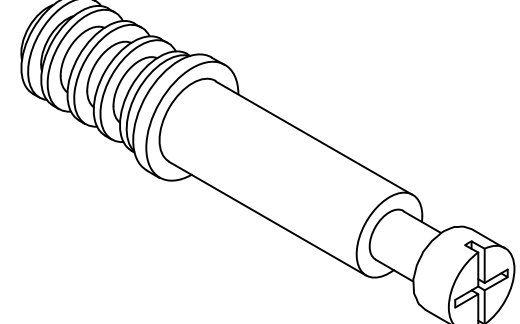
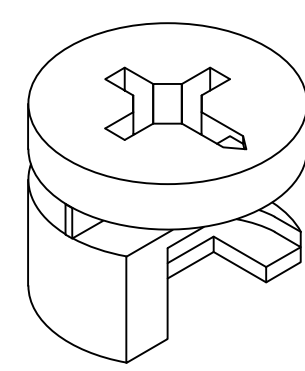


ASSEMBLY INSTRUCTIONS

3-DRAWER DRESSER

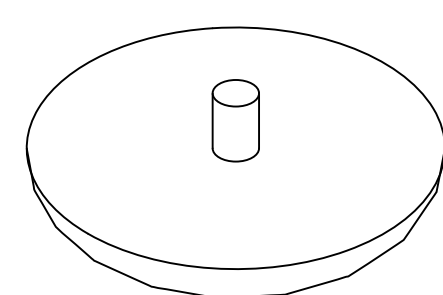
<p>A Top Panel</p>  <p>1pc</p>	<p>B Left Side Panel</p>  <p>1pc</p>	<p>C Right Side Panel</p>  <p>1pc</p>	<p>D Bottom Frame</p>  <p>1pc</p>
<p>E Back Top Panel</p>  <p>1pc</p>	<p>F Back Bottom Panel</p>  <p>1pc</p>	<p>G Post</p>  <p>4pcs</p>	<p>H Small Drawer Side (Left)</p>  <p>1pc</p>
<p>I Small Drawer Side (Right)</p>  <p>1pc</p>	<p>J Small Drawer Front</p>  <p>1pc</p>	<p>K Small Drawer Back</p>  <p>1pc</p>	<p>L Big Drawer Side (Left)</p>  <p>2pcs</p>
<p>M Big Drawer Side (Right)</p>  <p>2pcs</p>	<p>N Big Drawer Front</p>  <p>2pcs</p>	<p>O Big Drawer Back</p>  <p>2pcs</p>	<p>P Drawer Base</p>  <p>3pcs</p>
<p>Q Runner 300mm</p>  <p>3pcs</p>	<p>R Dowel M6 x 30mm</p>  <p>32pcs</p>	<p>S Dowel M8 x 35mm</p>  <p>24pcs</p>	<p>T Cam Bolt 5 x 25mm</p>  <p>36pcs</p>

U Cam Lock
15 x 12mm



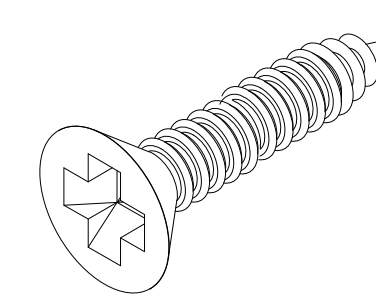
36pcs

V Cam Lock Cover
17 x 5mm



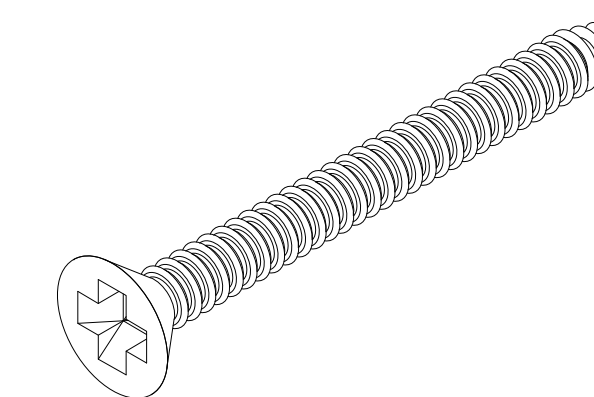
36pcs

W Screw
M3 x 16mm



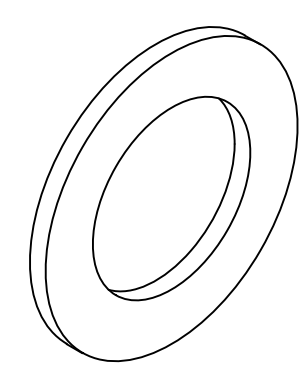
36pcs

X Screw
M4 x 32mm



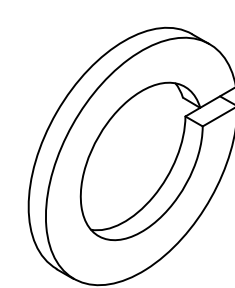
8pcs

Y Flat Washer
M8



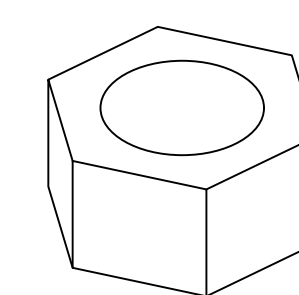
4pcs

Z Spring Washer
M8



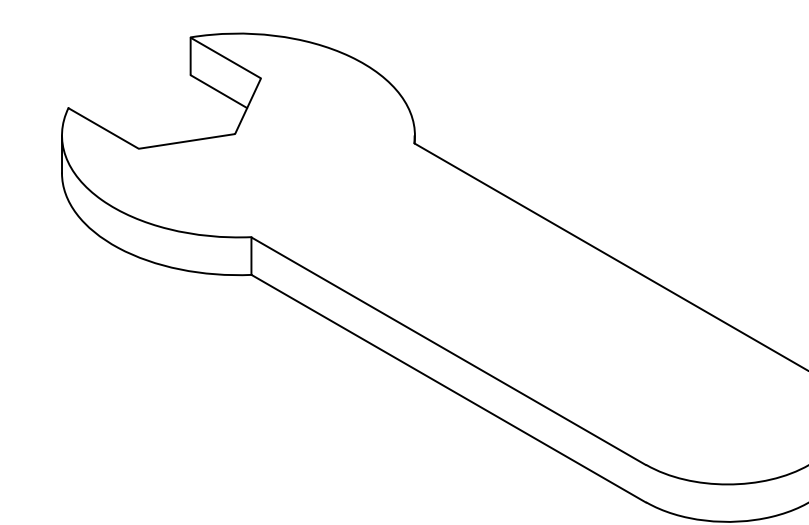
4pcs

AA Hex Nut
M8



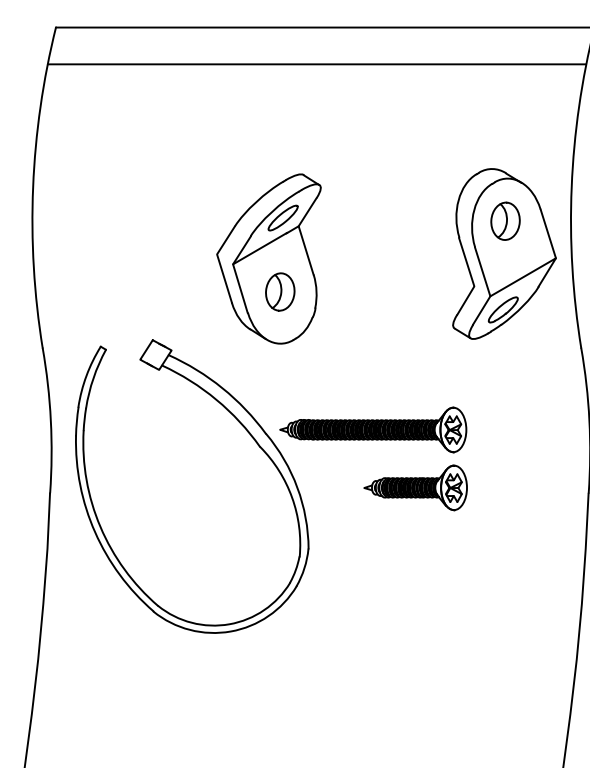
4pcs

AB Spanner
M12.8



1pc

AC Anti-Tip Kit



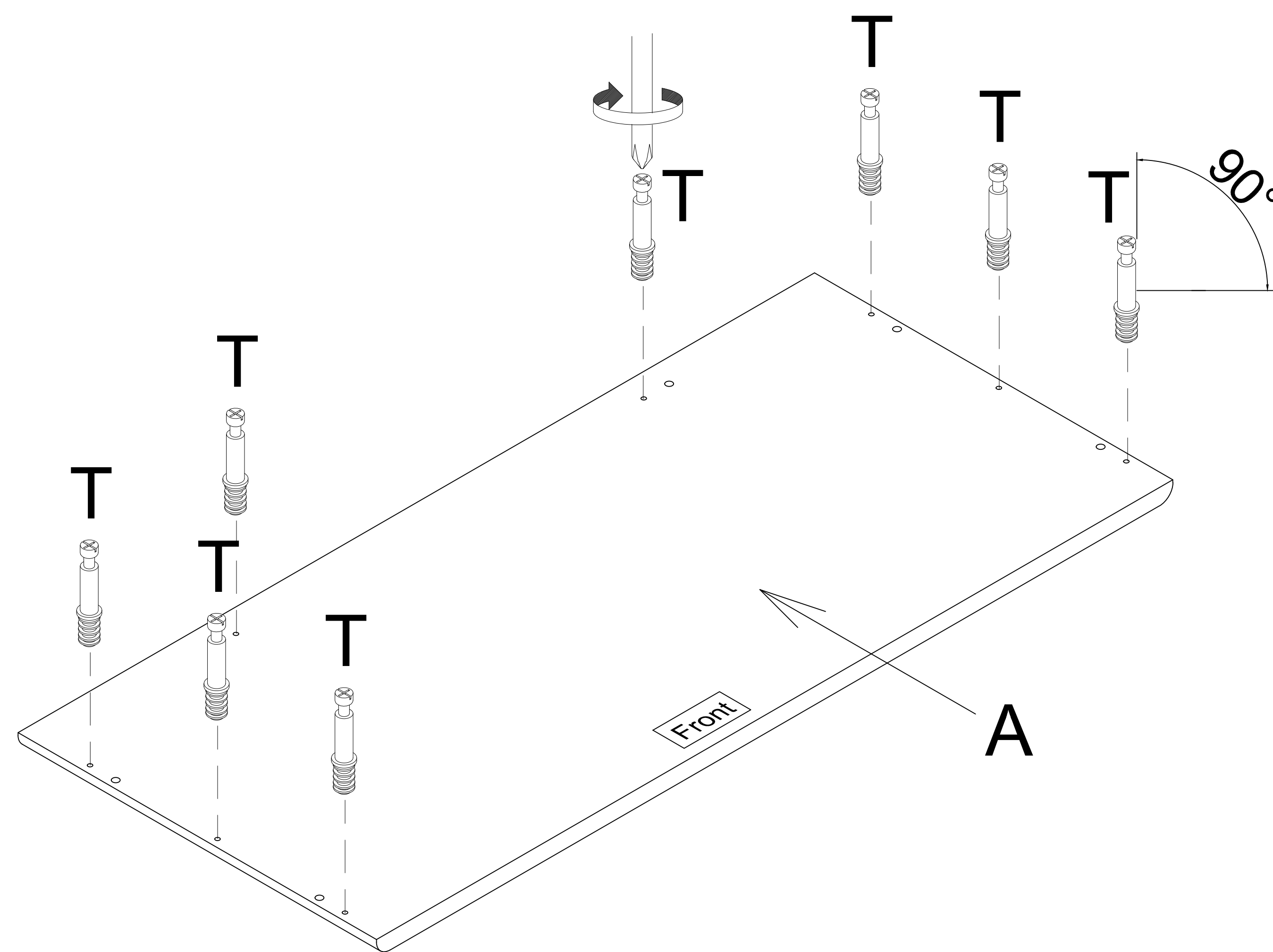
1set



These pages list all the contents included in the box. Please take the time to identify the hardware as well as the individual components to this product. As you unpack and prepare for assembly, place the contents on a carpeted or padded area to protect them from damage.

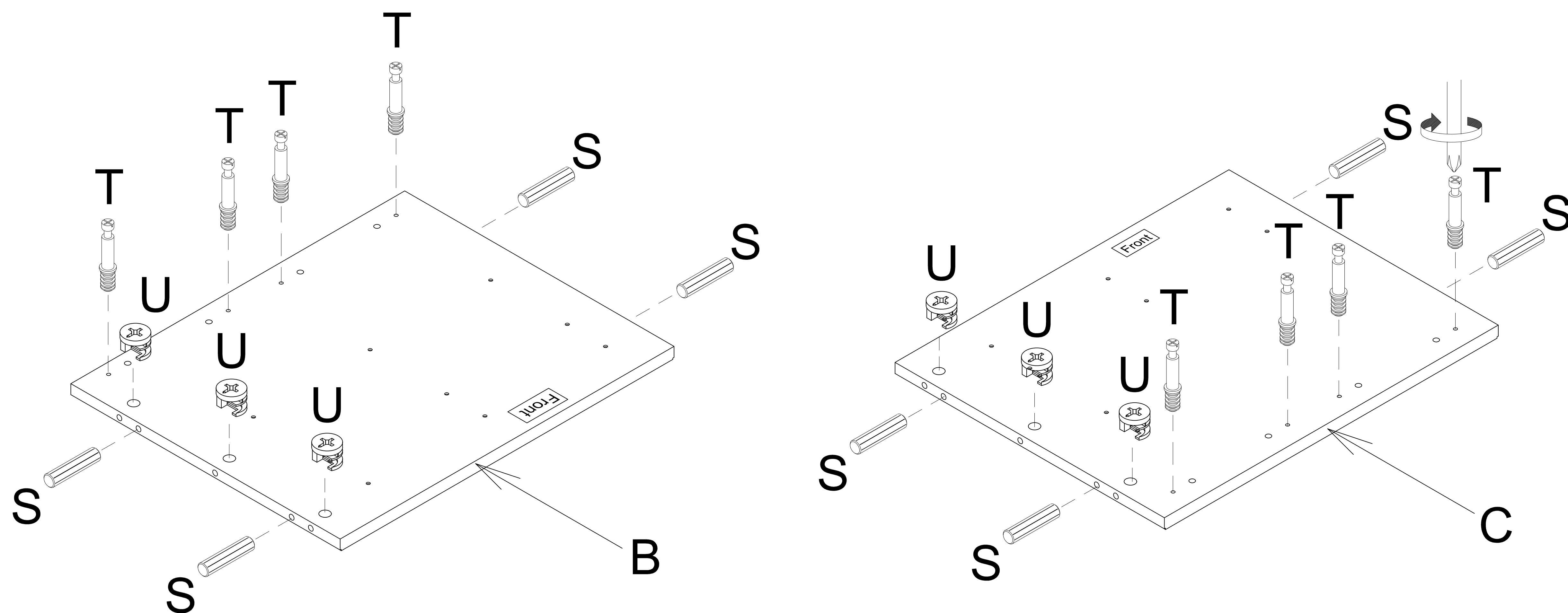
1

Insert Cam Bolt (T) into the Top Panel (A) with a screwdriver (not provided).

**2**

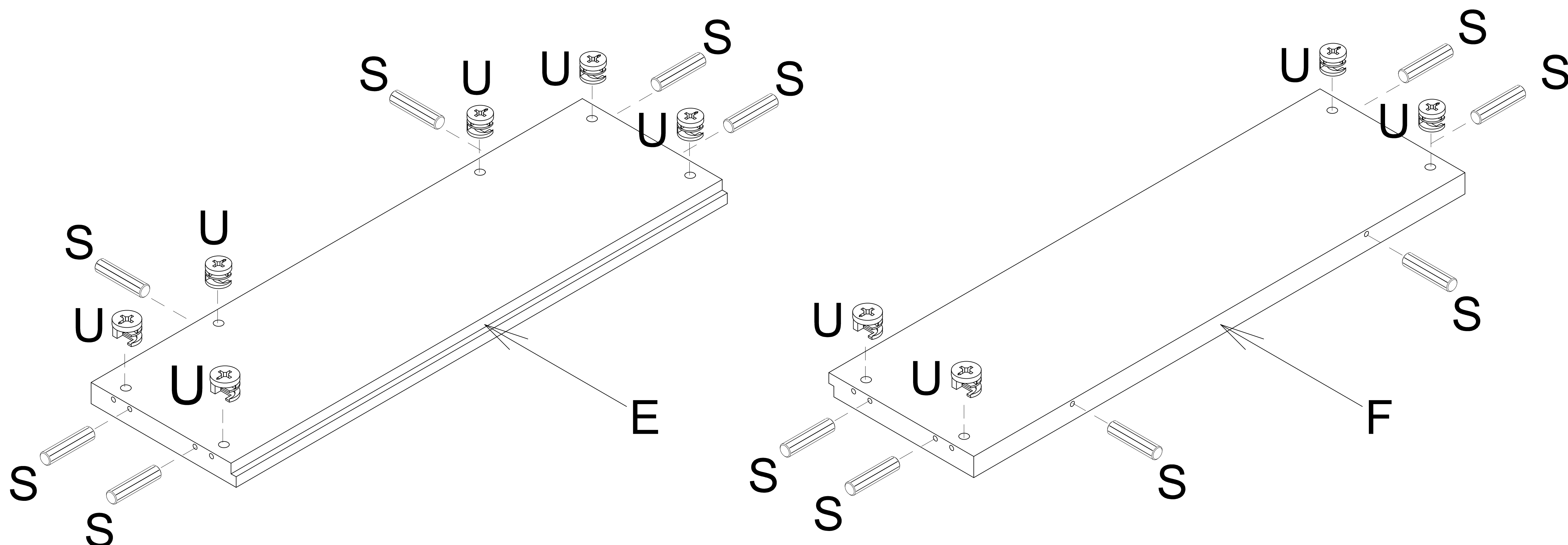
Insert Dowel (S), Cam Bolt (T) and Cam Lock (U) into the Left & Right Side Panel (B & C) with a screwdriver (not provided).

NOTE : - Ensure the arrows on each Cam Lock (U) point towards the nearest edge with holes.

**3**

Insert Dowel (S) and Cam Lock (U) into the Back Top Panel (E) and the Back Bottom Panel (F).

NOTE : - Ensure the arrows on each Cam Lock (U) point towards the nearest edge with holes.

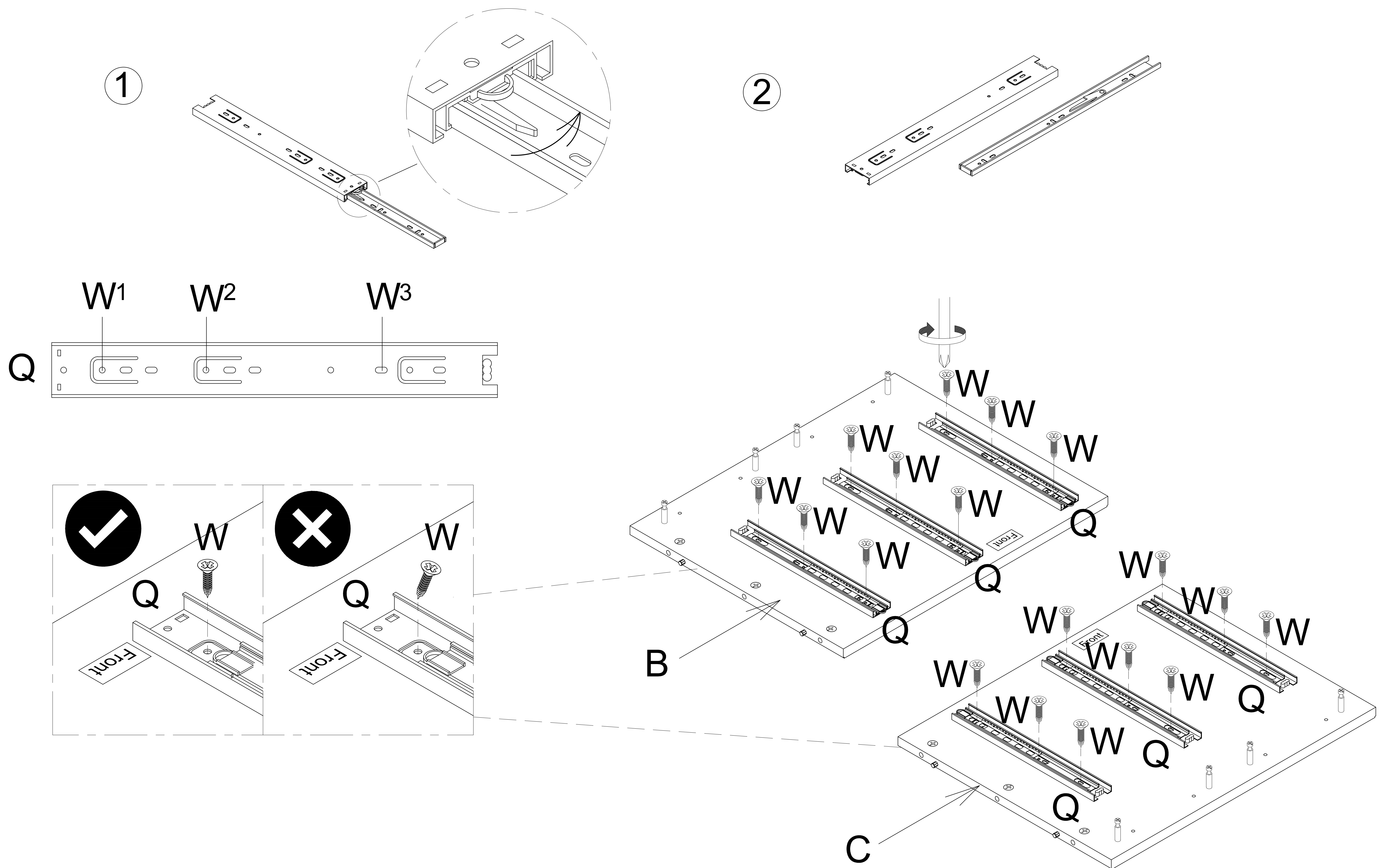


4

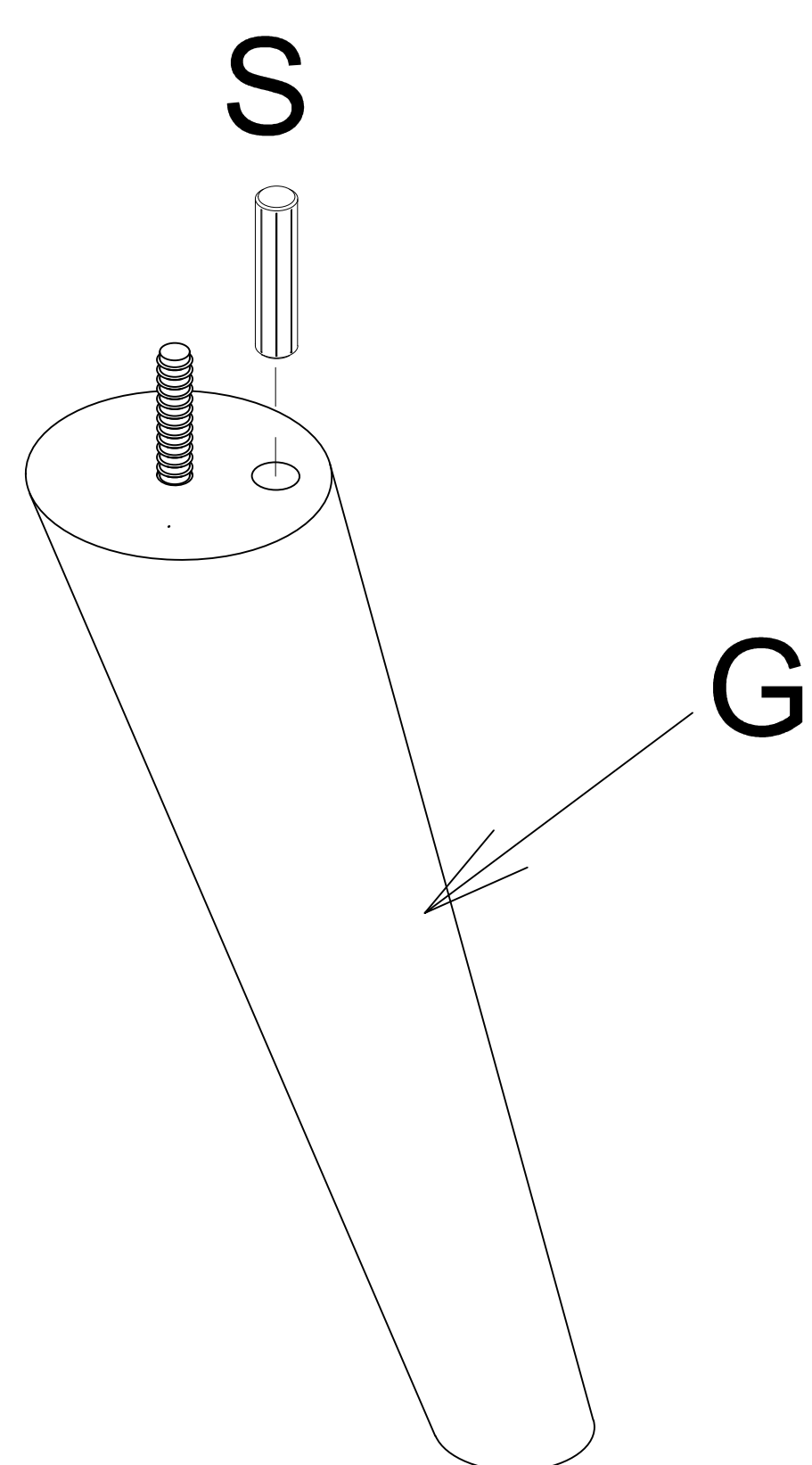
Disassemble the Runner (Q) into two parts. Attach one part with runner rollers to the Left & Right Side Panel (B & C) using Screw (W) with a screwdriver (not provided). Attach the other part with slides to the Small Left & Right Drawer Side (H & I) and the Big Left & Right Drawer Side (L & M).

NOTE : - Runner (Q) should face the front of the panel.
 - Assemble Screw (W) from the front of the runner, starting with W¹, W², then W³.
 - Ensure screws are installed vertically without tilting to fit properly into the holes.

EXTENSION RUNNER DISASSEMBLE STEPS:

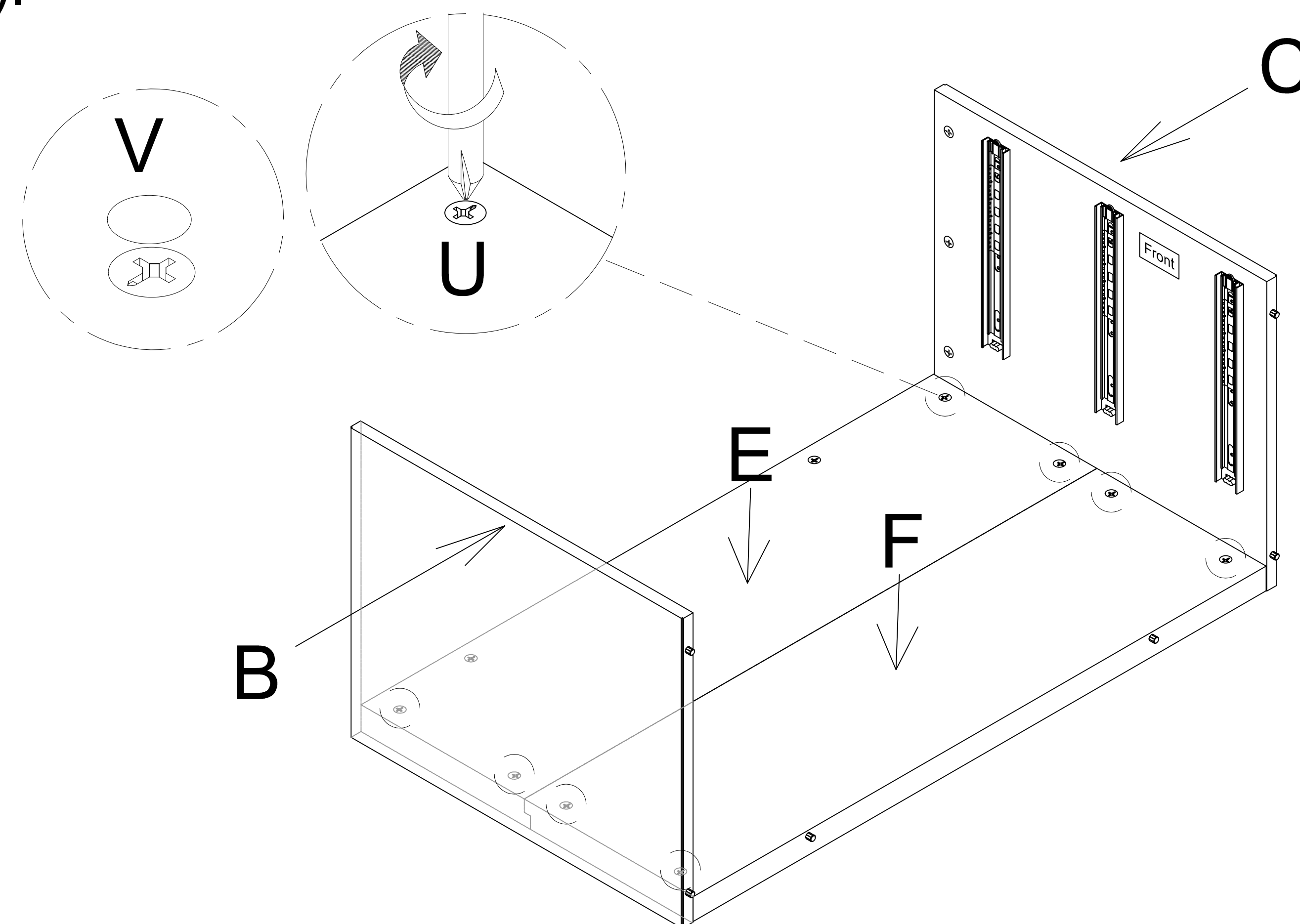
**5**

Attach Dowel (S) to the Post (G).

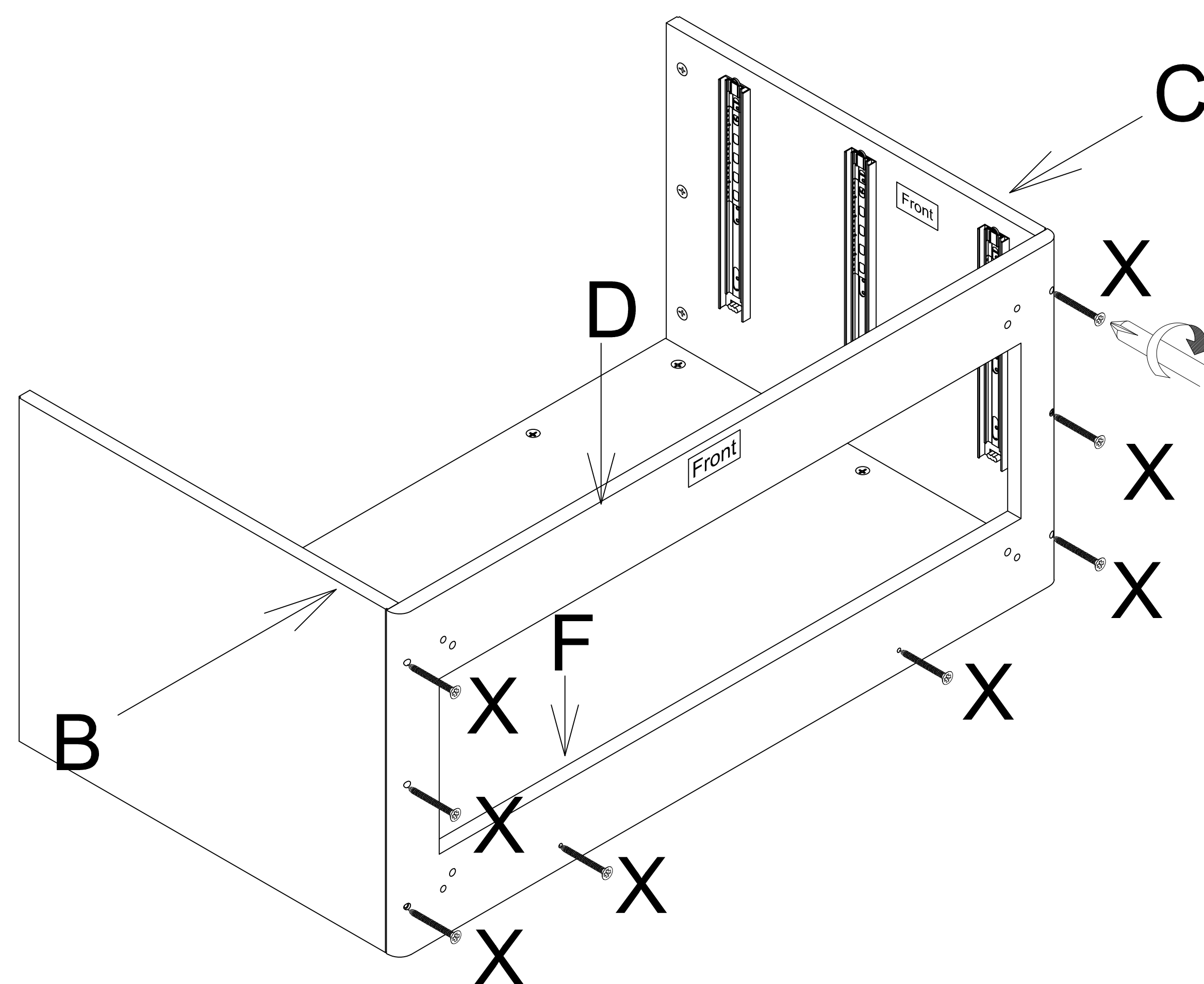


6

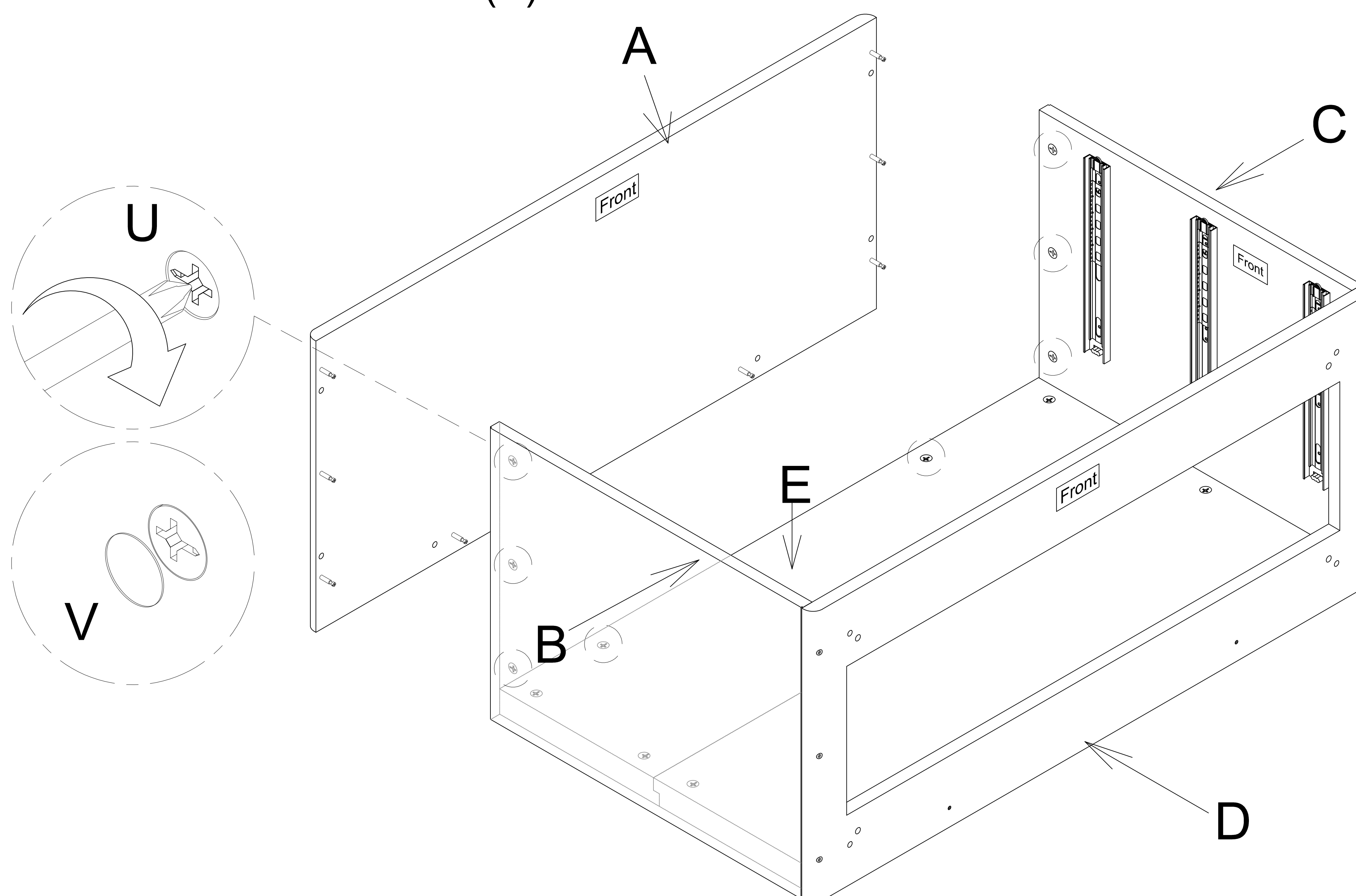
Attach the Left & Right Side Panel (B & C) to the Back Top & Bottom Panel (E & F) and secure the Cam Lock (U) with a screwdriver (not provided). Cover the Cam Lock (U) with Cam Lock Cover (V).

**7**

Attach the Bottom Frame (D) to the Left & Right Side Panel (B & C) and the Back Bottom Panel (F) using Screw (X) with a screwdriver (not provided).

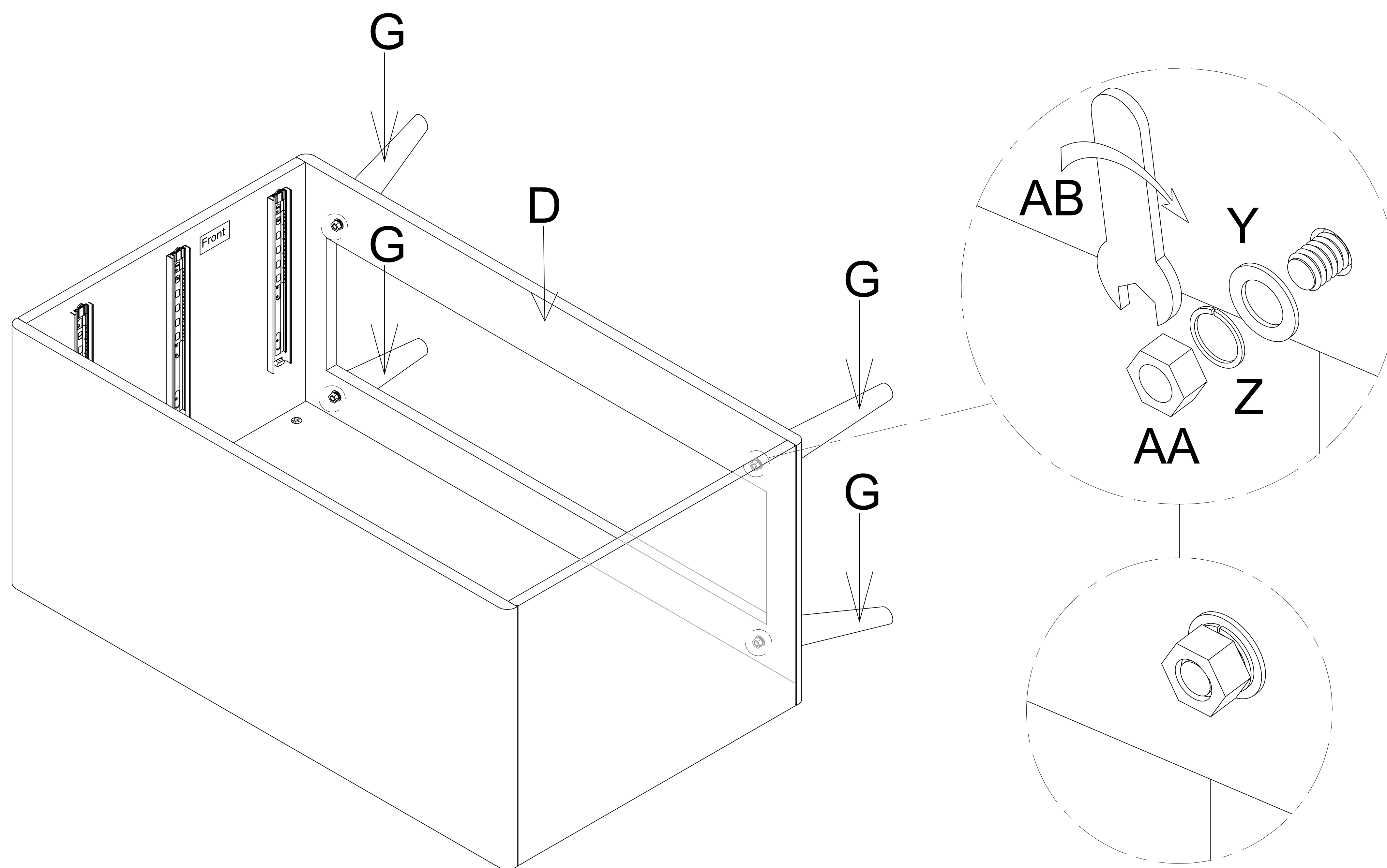
**8**

Attach the Top Panel (A) to the Left & Right Side Panel (B & C) and the Back Top Panel (E) and secure the Cam Lock (U) with a screwdriver (not provided). Cover the Cam Lock (U) with Cam Lock Cover (V).



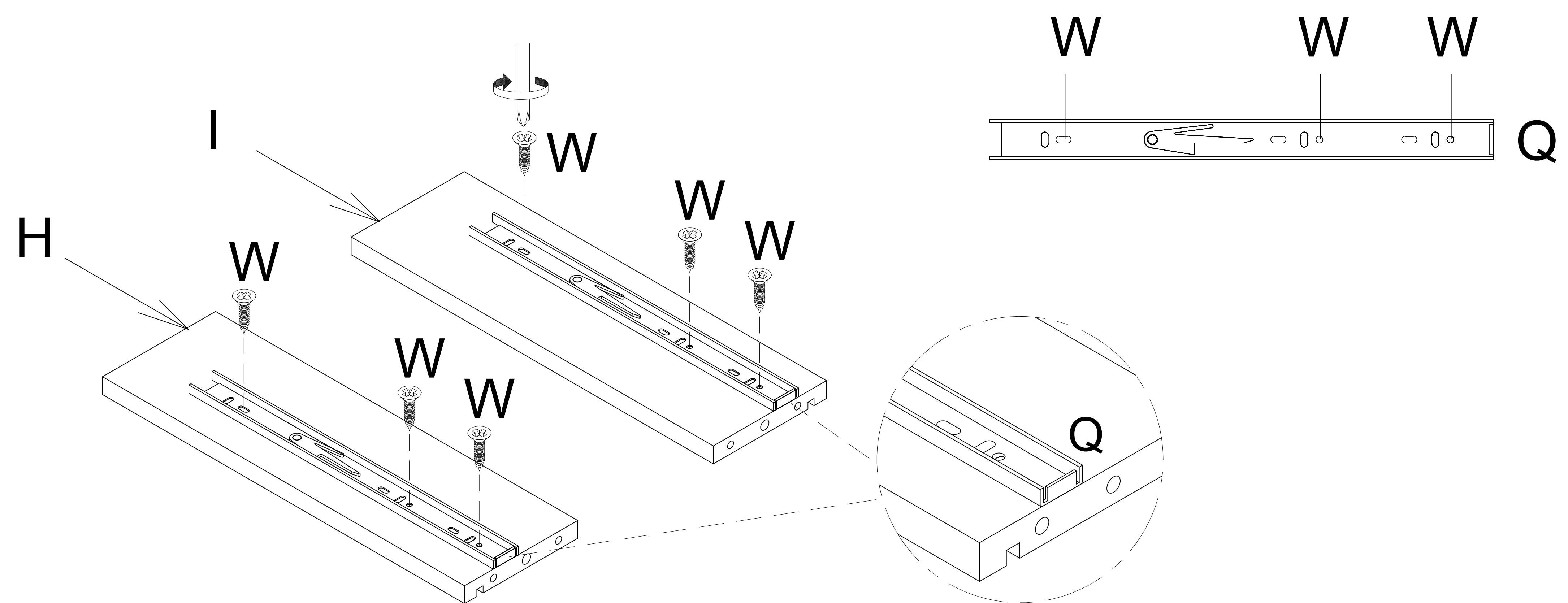
9

Attach the Post (G) to the Bottom Frame (D) using Flat Washer (Y), Spring Washer (Z) and Hex Nut (AA) with the Spanner (AB).



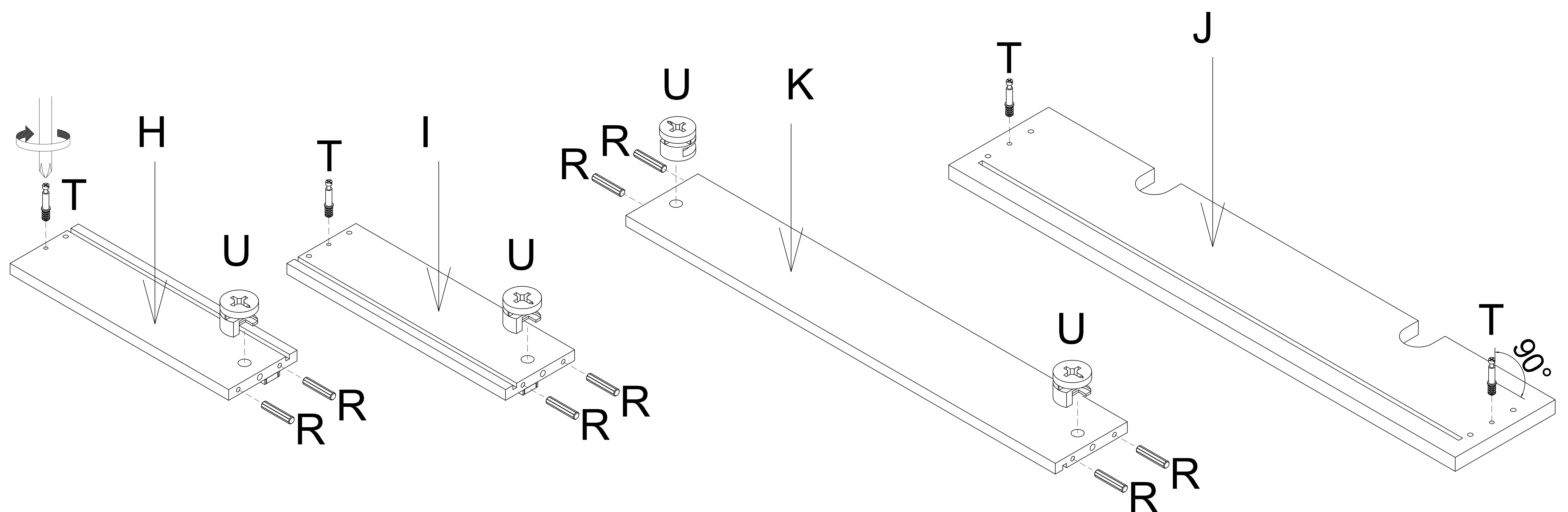
10

Attach Runner (Q) to the Left & Right Small Drawer Side (H & I) using Screw (W) with a screwdriver (not provided).

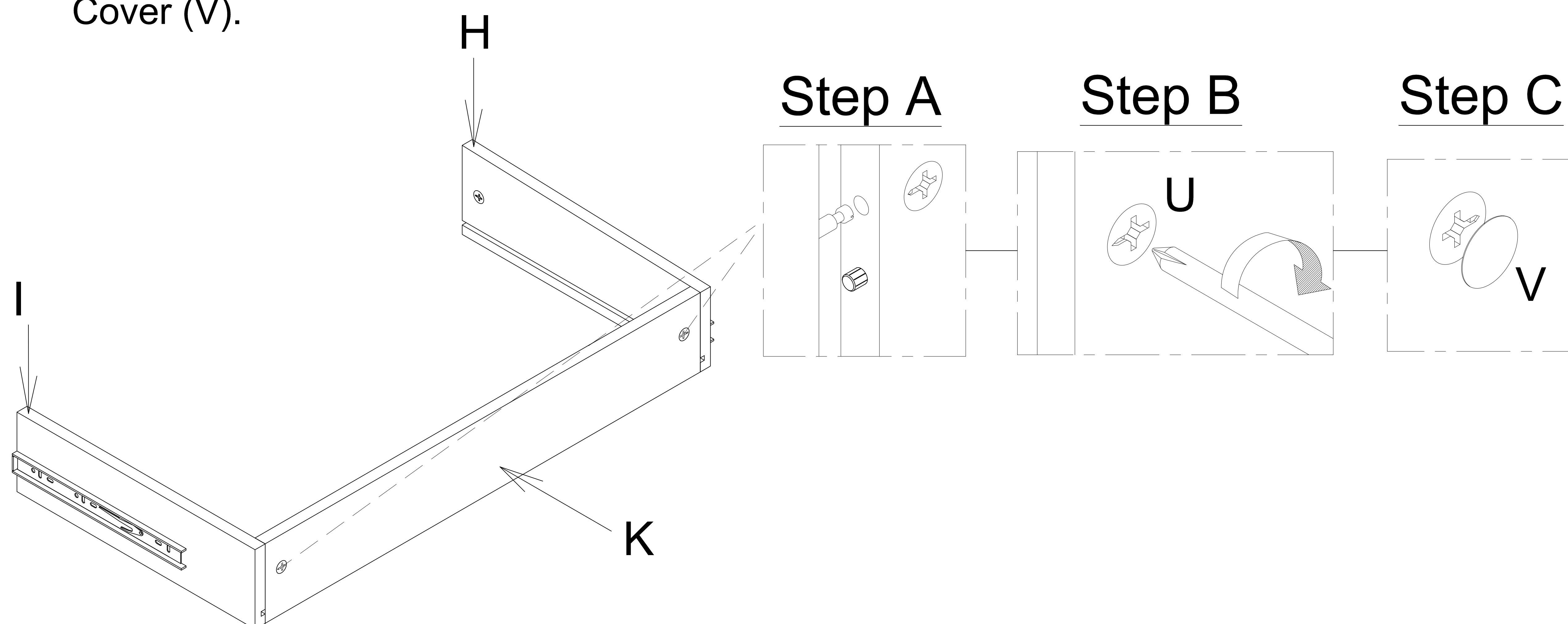


11

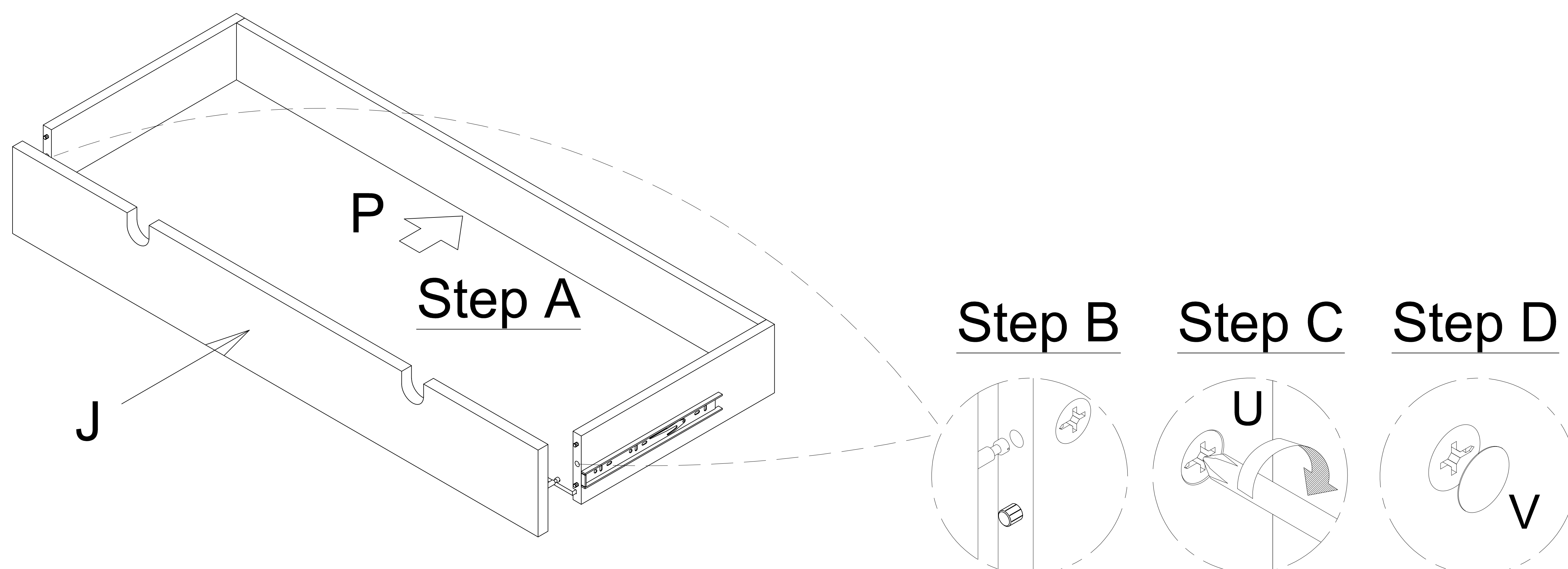
Attach Dowel (R) and Cam Lock (U) to the Left & Right Small Drawer Side (H & I) and the Small Drawer Back (K). Attach Cam Bolt (T) to the Left & Right Small Drawer Side (H & I) and the Small Drawer Front (J) with a screwdriver (not provided).



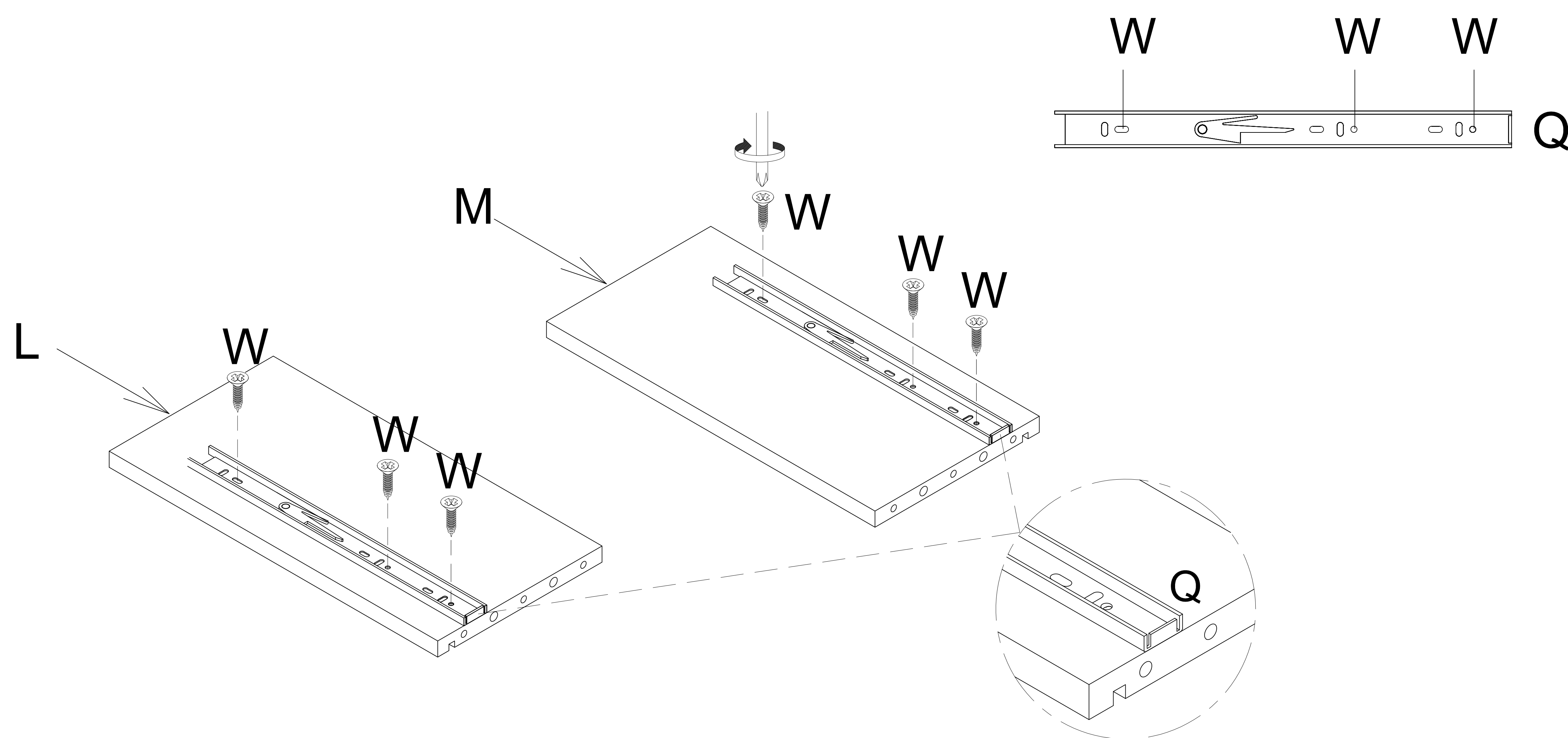
12 Attach the Left & Right Small Drawer Side (H & I) to the Small Drawer Back (K) and secure the Cam Lock (U) with a screwdriver (not provided). Cover the Cam Lock (U) with Cam Lock Cover (V).



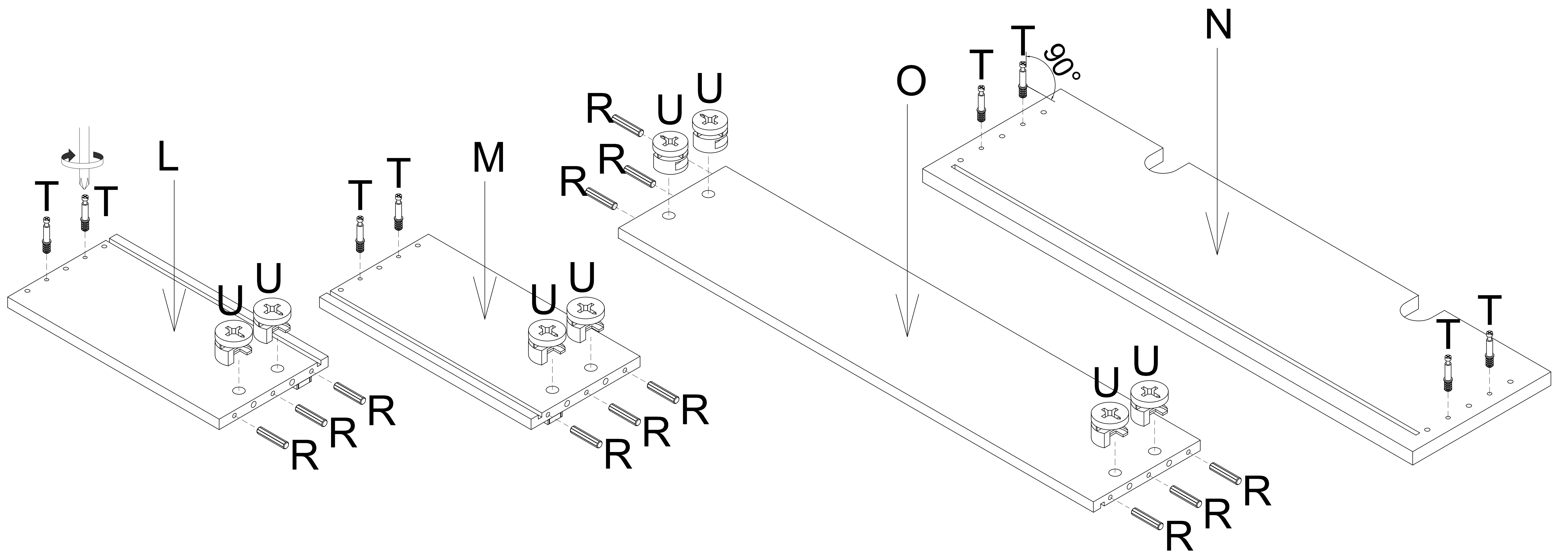
13 Slot the Drawer Base (P) into the grooves of the drawer box. Attach the Small Drawer Front (J) to the drawer box and secure the Cam Lock (U) with a screwdriver (not provided). Cover the Cam Lock (U) with Cam Lock Cover (V).



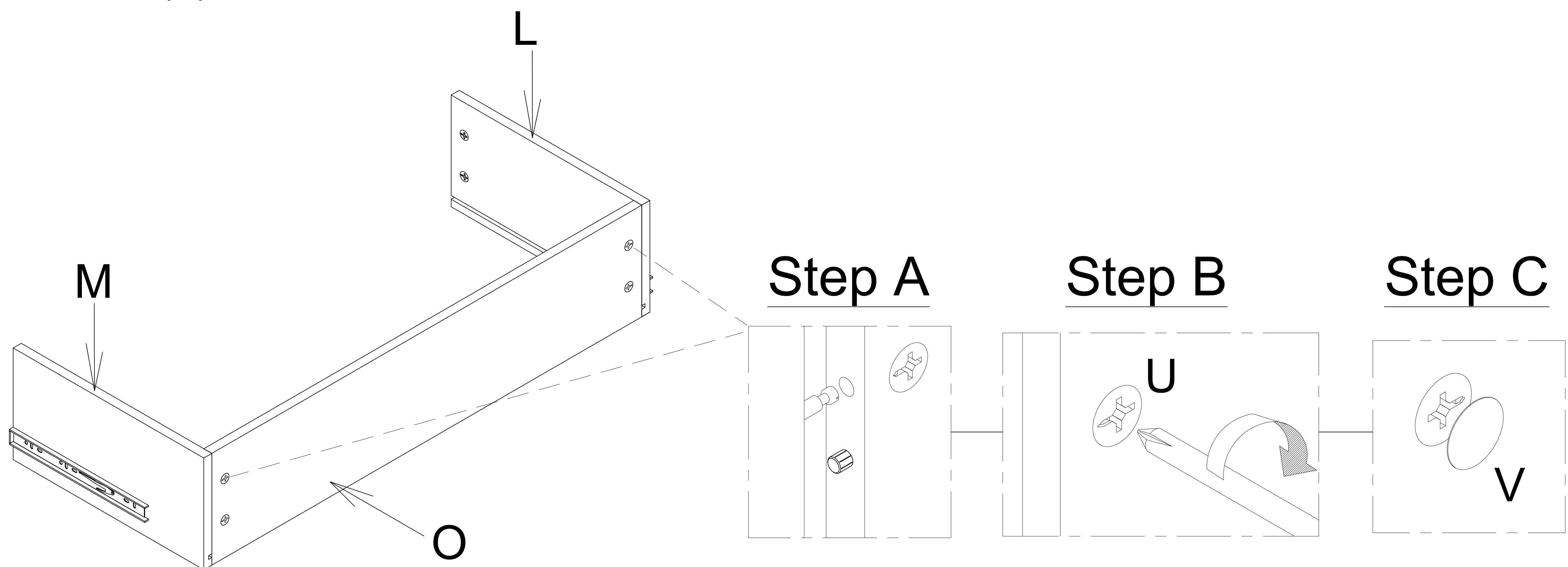
14 Attach Runner (Q) to the Left & Right Big Drawer Side (L & M) using Screw (W) with a screwdriver (not provided).



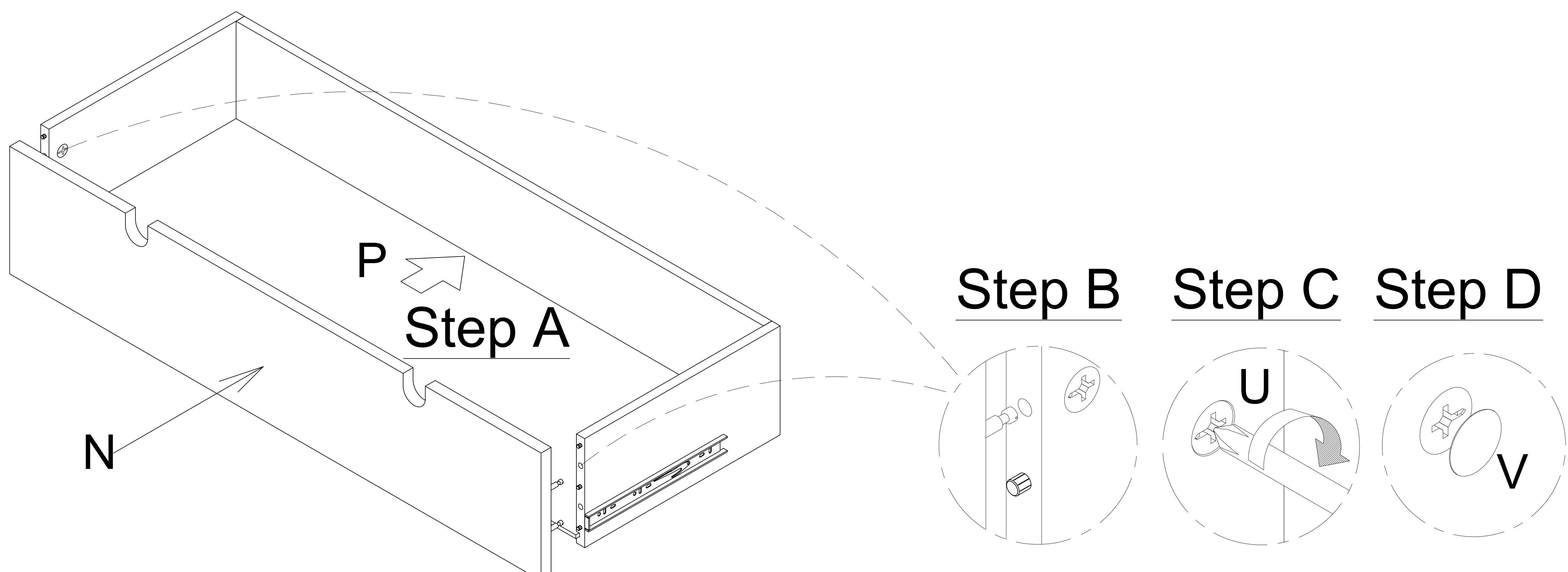
15 Attach Dowel (R) and Cam Lock (U) to the Left & Right Big Drawer Side (L & M) and the Big Drawer Back (O). Attach Cam Bolt (T) to the Left & Right Big Drawer Side (L & M) and the Big Drawer Front (N) with a screwdriver (not provided).



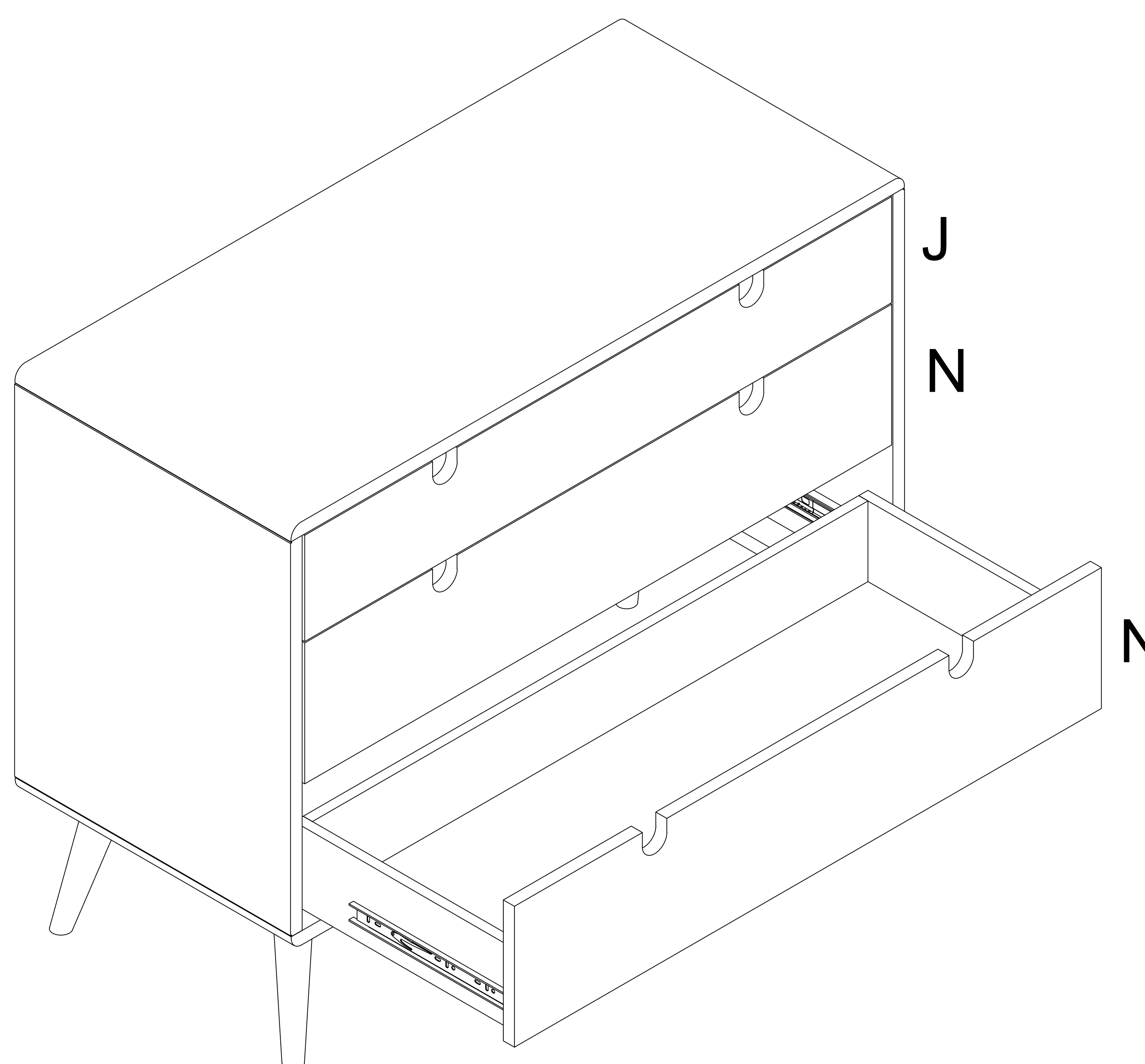
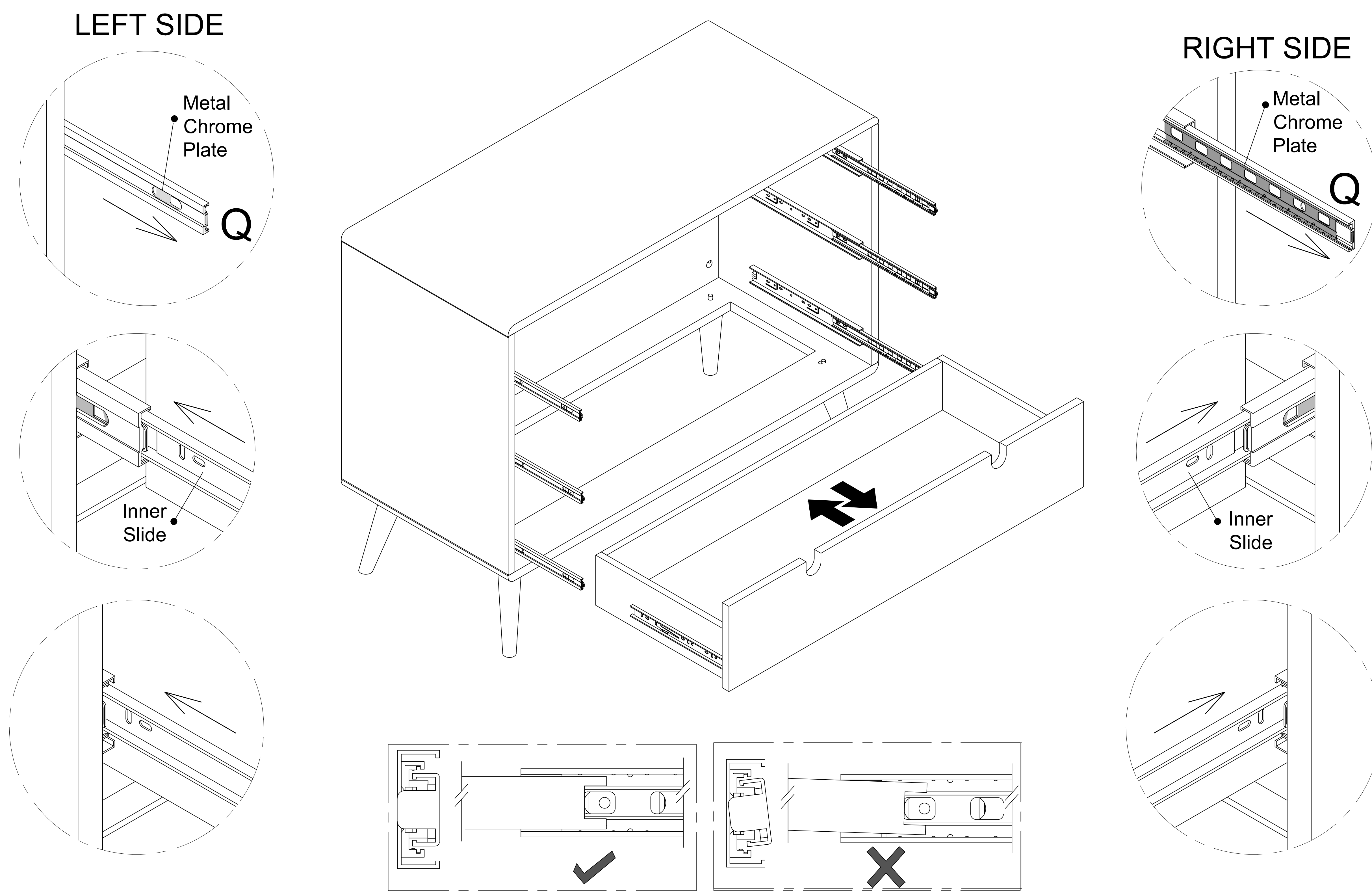
16 Attach the Left & Right Big Drawer Side (L & M) to the Big Drawer Back (O) and secure the Cam Lock (U) with a screwdriver (not provided). Cover the Cam Lock (U) with Cam Lock Cover (V).



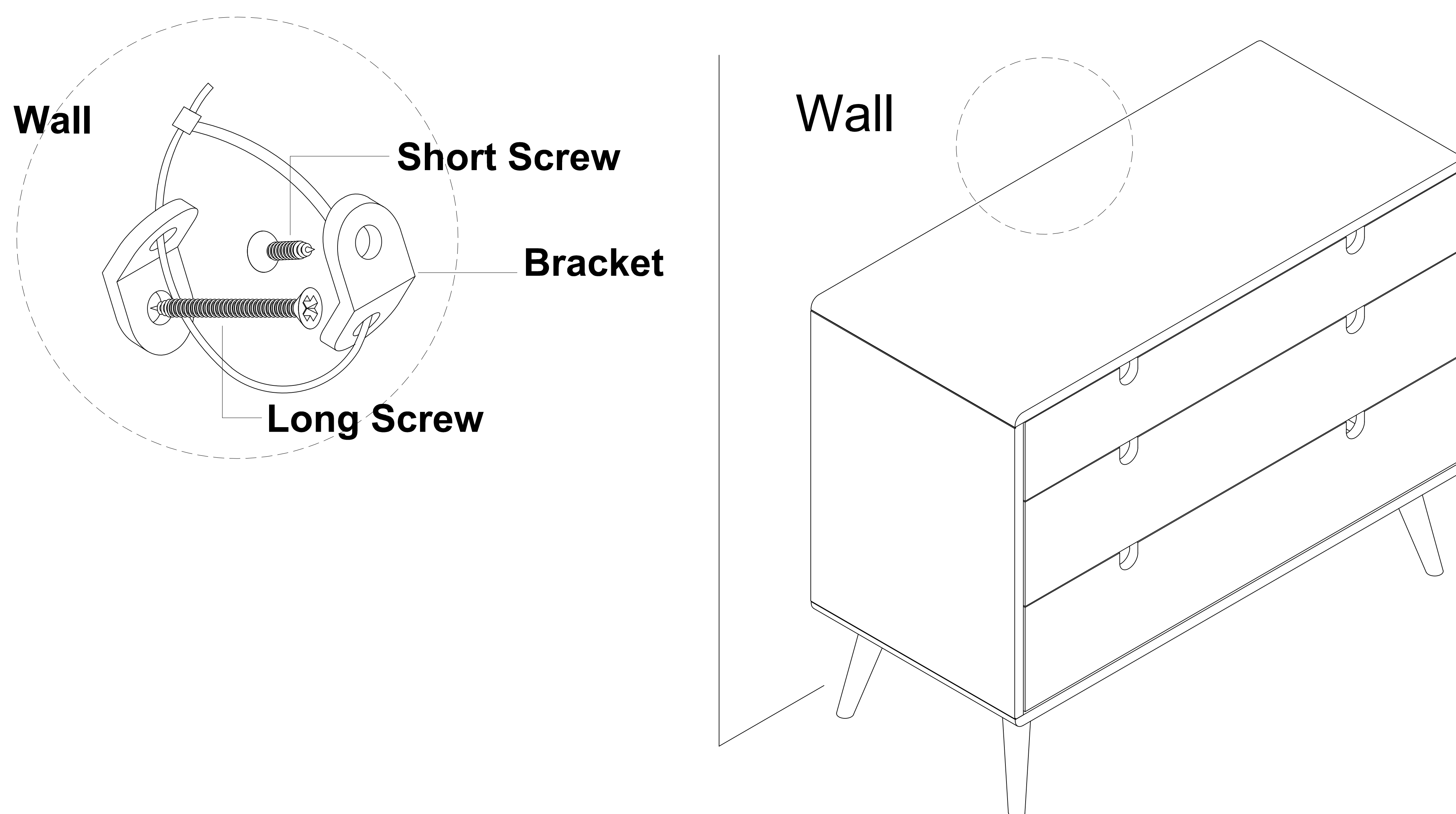
17 Slot the Drawer Base (P) into the grooves of the drawer box. Attach the Big Drawer Front (N) to the drawer box and secure the Cam Lock (U) with a screwdriver (not provided). Cover the Cam Lock (U) with Cam Lock Cover (V).



18 Pull out the metal chrome plates from both sides of the Runner (Q). Align the metal chrome plates with the slides on one drawer side, then repeat on the other side. If they are not aligned properly, remove and try again. Once both tracks are aligned properly, slowly push the drawer all the way in.



- 19** Attach the Anti-Tip Kit (AC) to the wall. Mount the bracket vertically to wall using the long screw. Then, secure the bracket vertically to the furniture back below the top using the short screw. Place the bracket as close to the center of the furniture back as possible, considering the wall stud and desired position in the room. Move furniture to its final position. Thread the bracket and pull it tight.



Cleaning & Care

Treat surfaces with care. Surfaces are resistant to scratches but are not scratch resistant. Clean surfaces with a dry or damp soft cloth. Do not use abrasive cleaners. Hardware may loosen over time. Periodically check that all connections are tight.