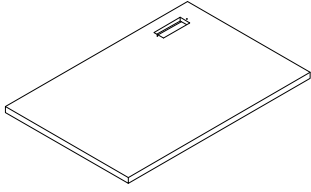


# ASSEMBLY INSTRUCTION

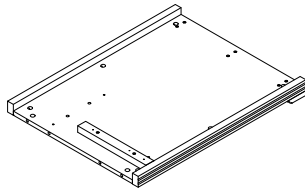
## WRITING DESK WITH USB CHARGER & WIRE MANAGEMENT

**A** Desk Top



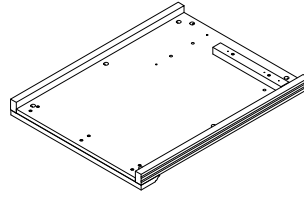
1pc

**B** Left Side Panel



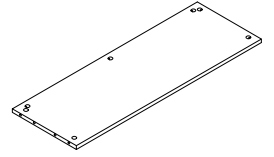
1pc

**C** Right Side Panel



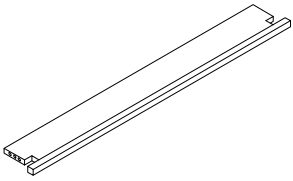
1pc

**D** Back Panel



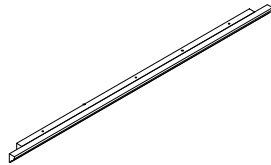
1pc

**E** Front Rail



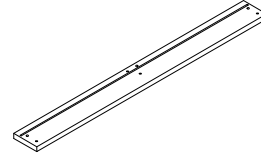
1pc

**F** Top Rail



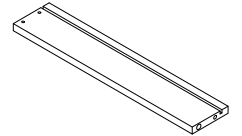
1pc

**G** Drawer Front Panel



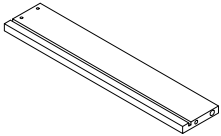
1pc

**H** Drawer Side Panel - L



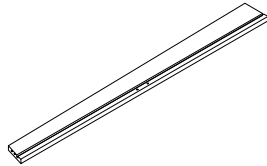
1pc

**I** Drawer Side Panel - R



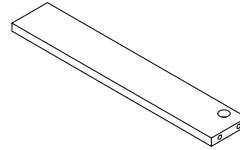
1pc

**J** Drawer Back Panel



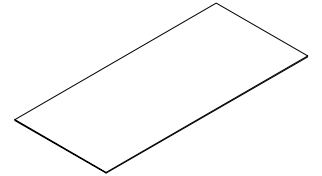
1pc

**K** Drawer Support Panel



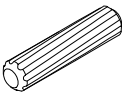
1pc

**L** Drawer Bottom Panel



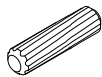
1pc

**M** Wood Dowel  
Ø8\*30mm



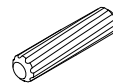
12pcs

**N** Wood Dowel  
Ø6\*20mm



2pcs

**O** Wood Dowel  
Ø6\*30mm



3pcs

**P** Nut  
Ø15\*12mm



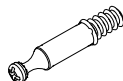
15pcs

**Q** Nut  
Ø15\*9mm



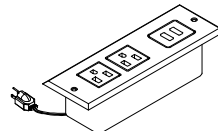
3pcs

**R** Blot  
Ø5\*25mm



18pcs

**S** Adaptor



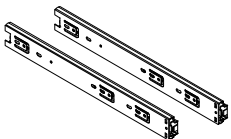
1pc

**T** Screw  
Ø3\*12mm



2pcs

**U** Slide Rail



1set

**V** Screw  
Ø3.5\*12mm



12pcs

**W** Knob



1pc

**X** Bolt  
Ø4\*22mm



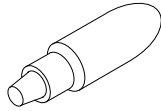
1pc

**Y** Screw  
Ø4\*30mm



9pcs

**Z** Glue



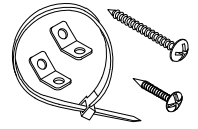
1pc

**AA** Screwdriver  
(Not Provided)

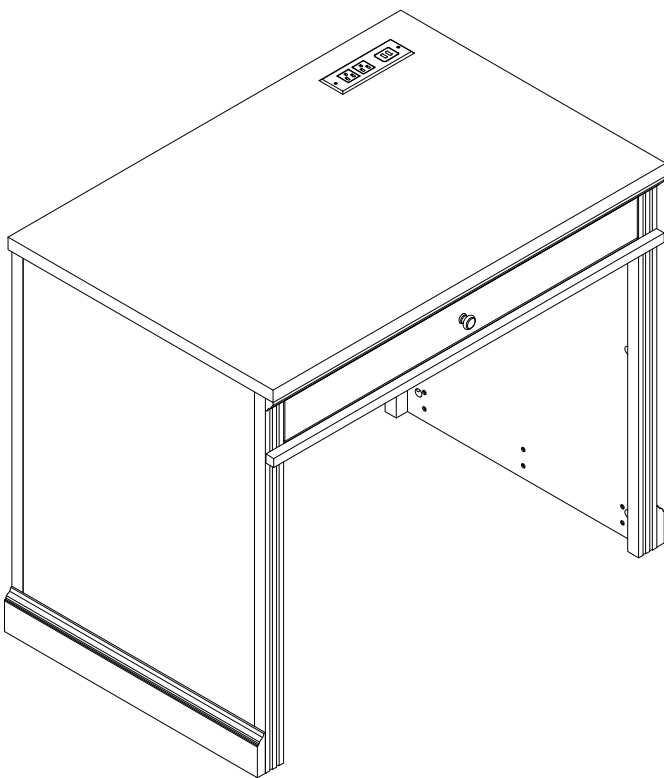


1pc

**AB** Anti-Tipping Kit



1set

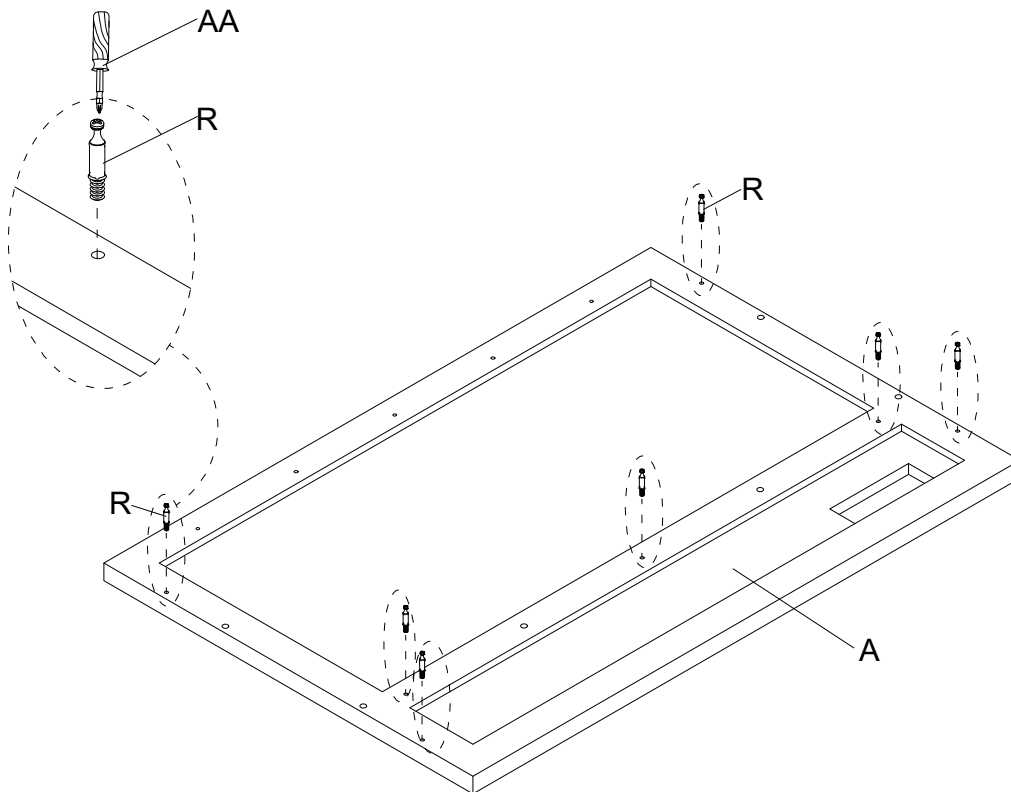


This first page and second page list all the contents included in the box. Please take the time to identify the hardware as well as the individual components to this product. As you unpack and prepare for assembly, place the contents on a carpeted or padded area to protect them from damage.

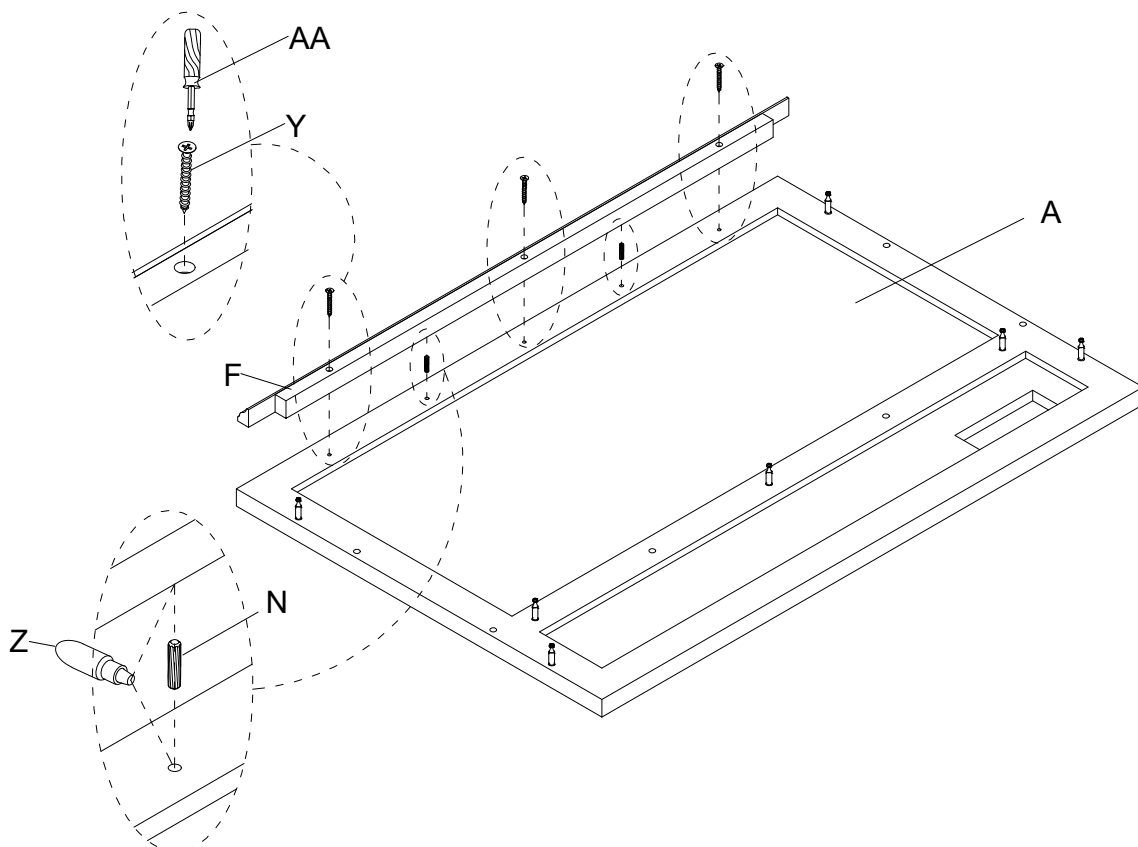
### **ASSEMBLY**

Do not fully tighten all bolts until assembly is complete. This will help all parts to assemble properly.

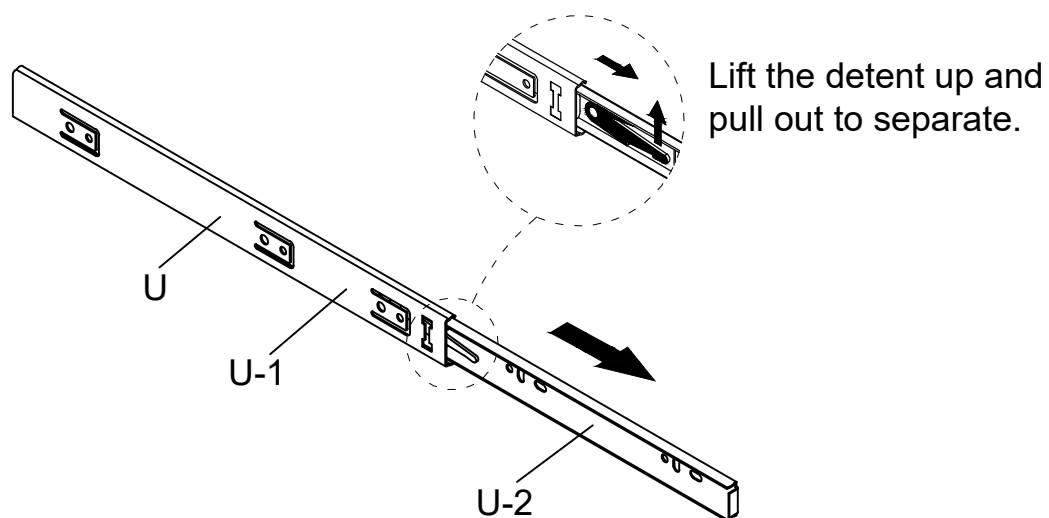
**1** Insert Bolt (R) to Desk Top (A) By Screwdriver (AA) as below shown.



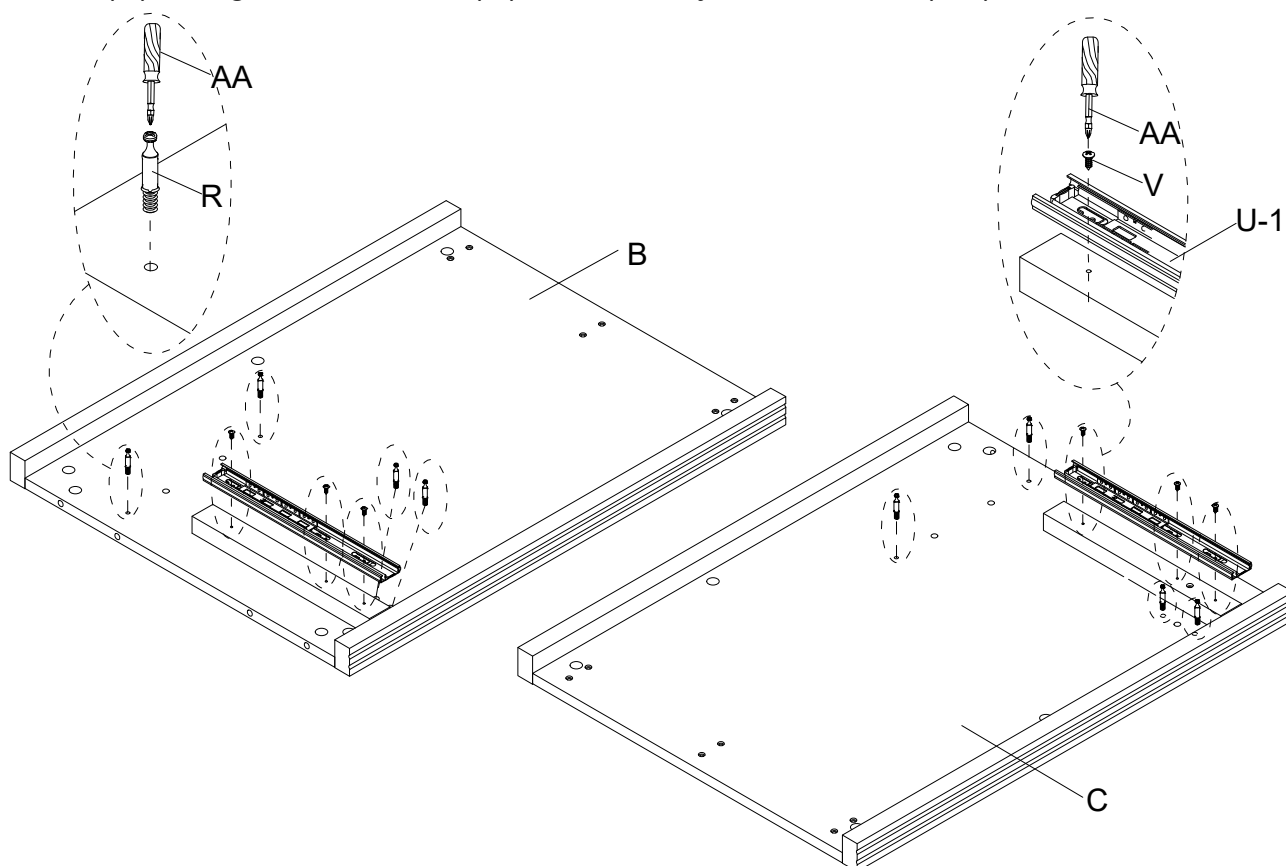
**2** Assemble Top Rail (F) to Desk Top (A) by Glue (Z) & Wood Dowel (N) first, then assemble Screw (Y) By Screwdriver (AA) as below shown.



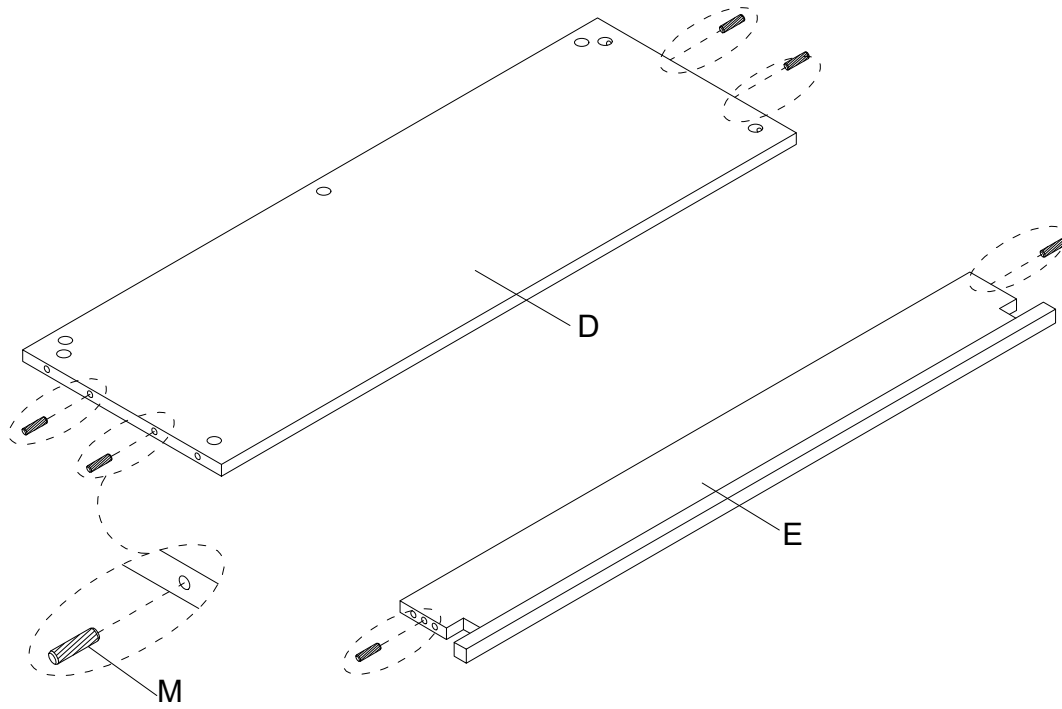
- 3** Pull out Slide Rail (U) fully extended, a hold-in detent can be seen or touched on slide runners.



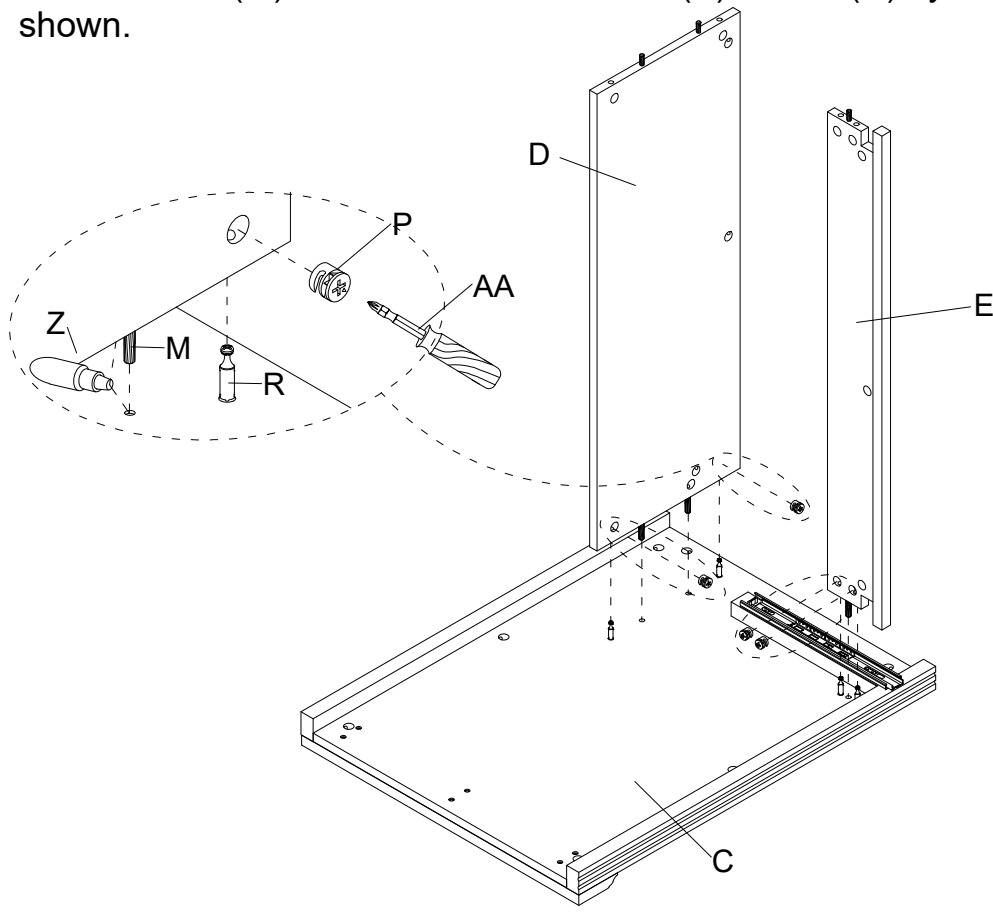
- 4** First, assemble part one of Slide Rail (U-1) to Left Side Panel (B) & Right Side Panel (C), using Screw (V) by Screwdriver (AA). Second, assemble Bolt (R) to Left Side Panel (B) & Right Side Panel (C) to fasten by Screwdriver (AA) as below shown.



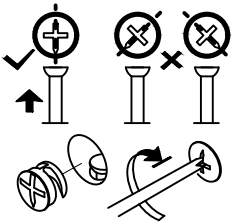
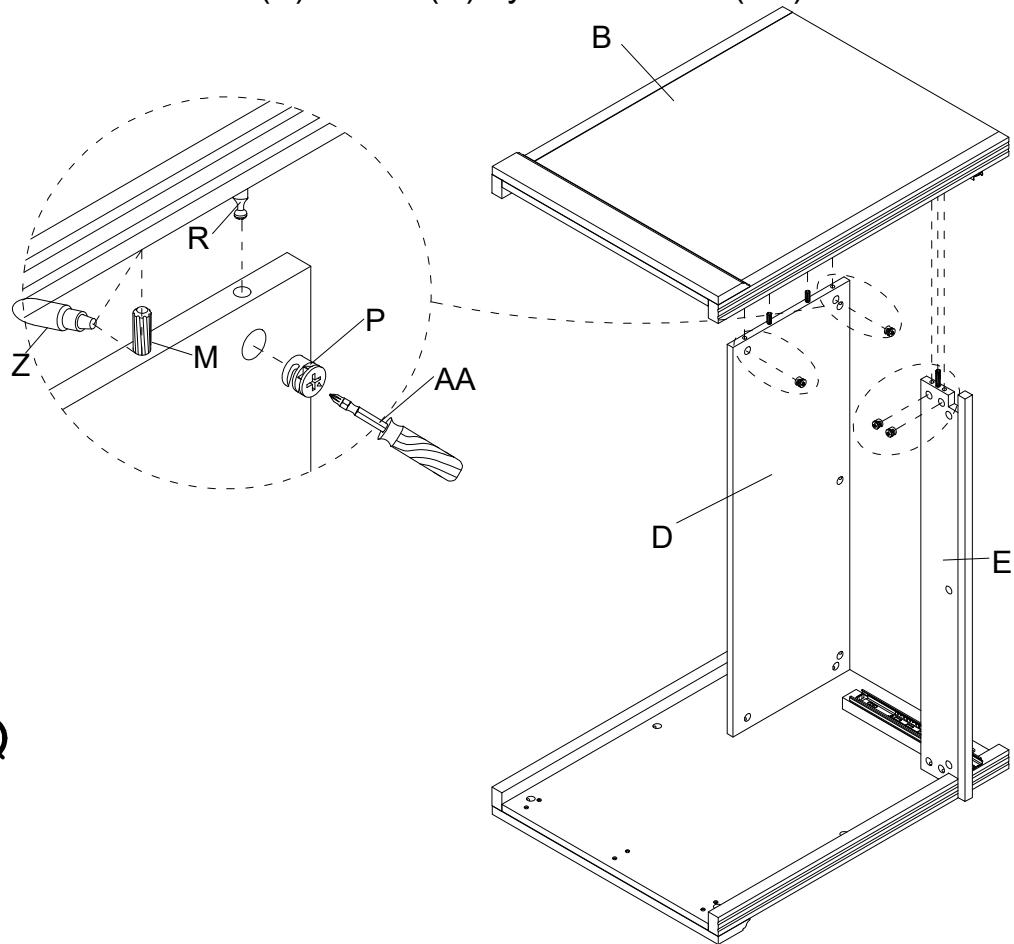
**5** Insert Wood Dowel (M) to Back Panel (D) & Front Rail (E) as below shown.



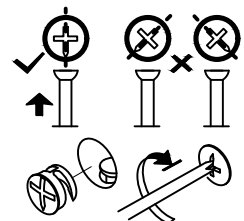
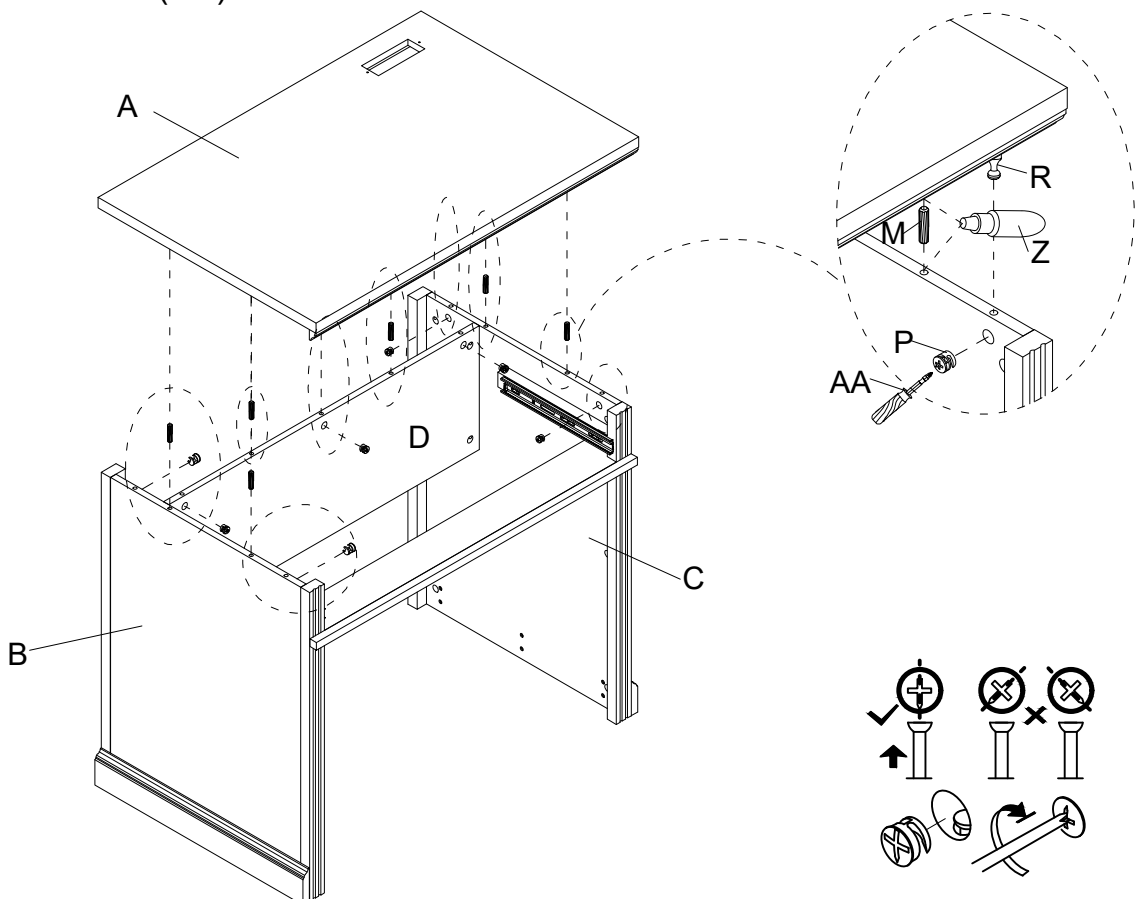
**6** Assemble Back Panel (D) & Front Rail (E) to Right Side Panel (C), using Glue (Z) & Wood Dowel (M) first, then assemble Nut (P) to Bolt (R) by Screwdriver (AA) as below shown.



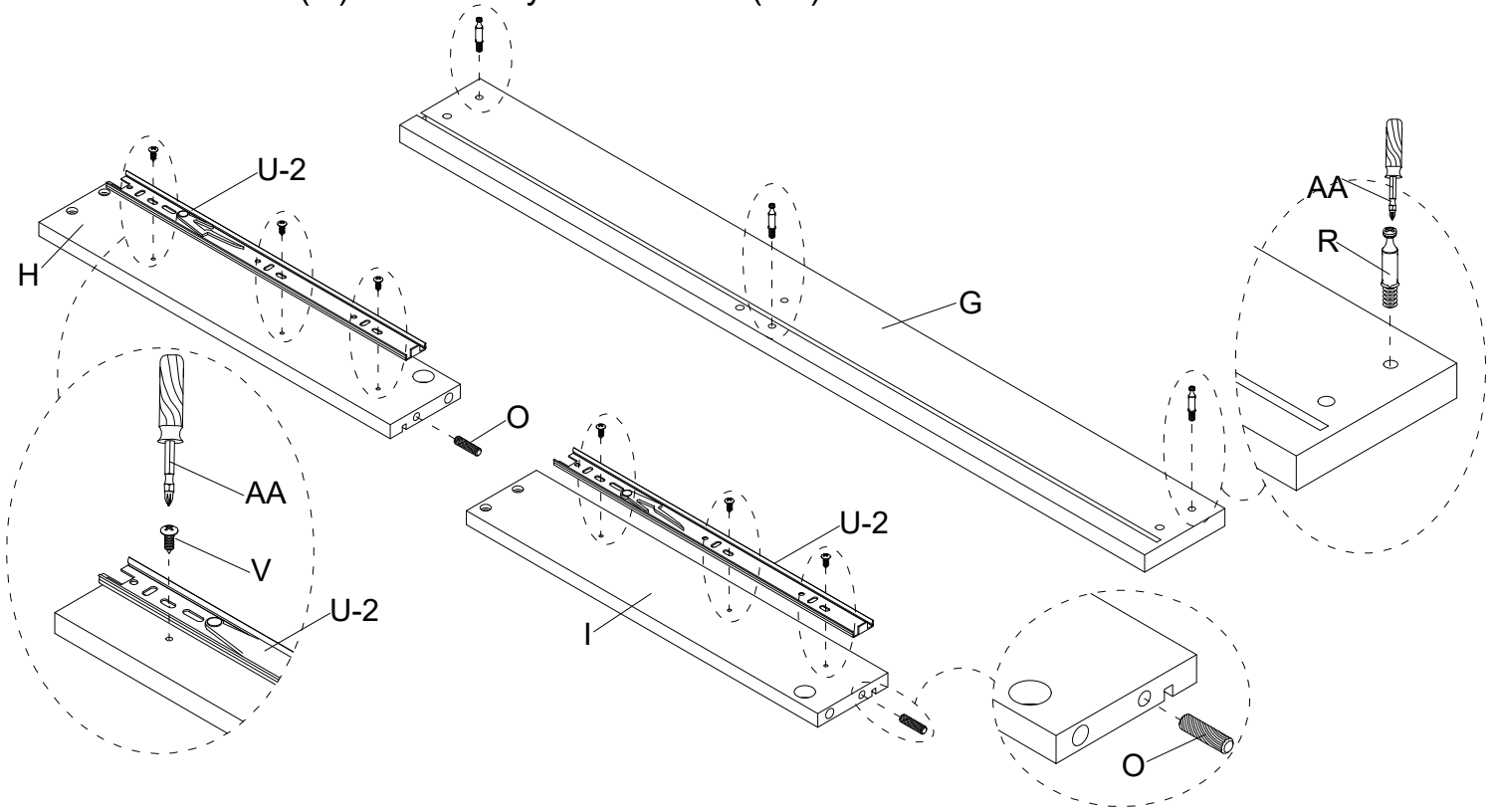
**7** Assemble Back Panel (D) & Front Rail (E) to Left Side Panel (B), using Glue (Z) & Wood Dowel (M) first, then attach Nut (P) to Bolt (R) by Screwdriver (AA) as below shown.



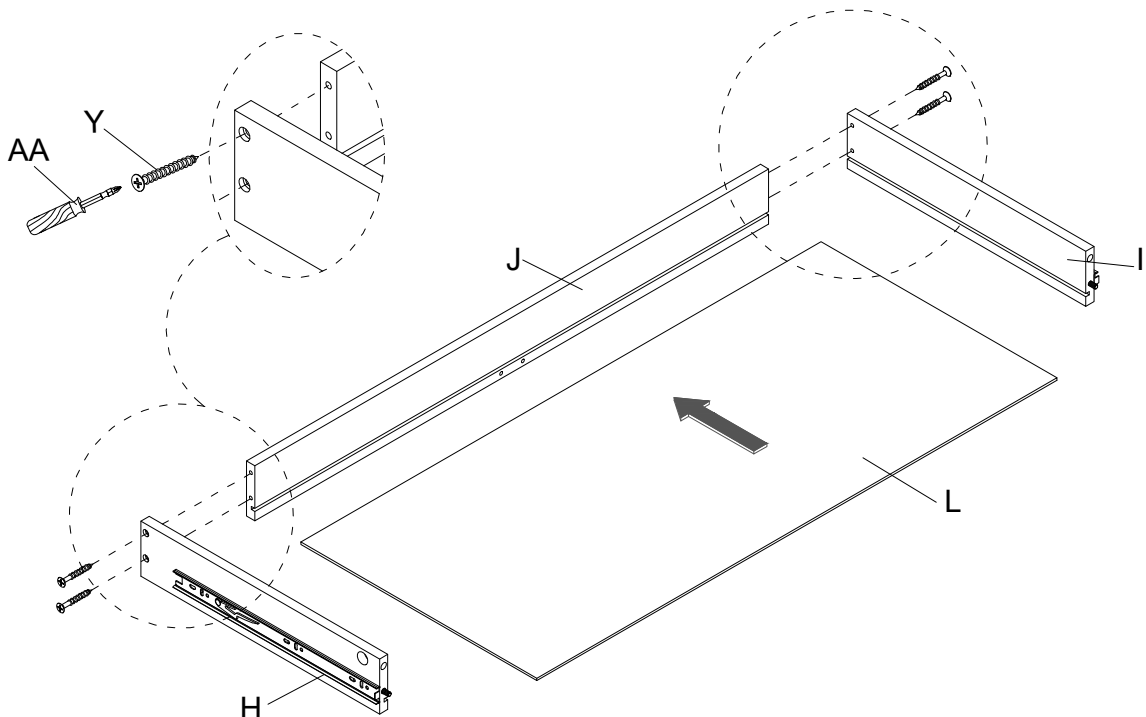
**8** Assemble Desk Top (A) to pre-assembled Left Side Panel (B), Right Side Panel (C) and Back Panel (D), using Glue (Z) & Wood Dowel (M) first, then assemble Nut (P) to Bolt (R) by Screwdriver (AA) as below shown.



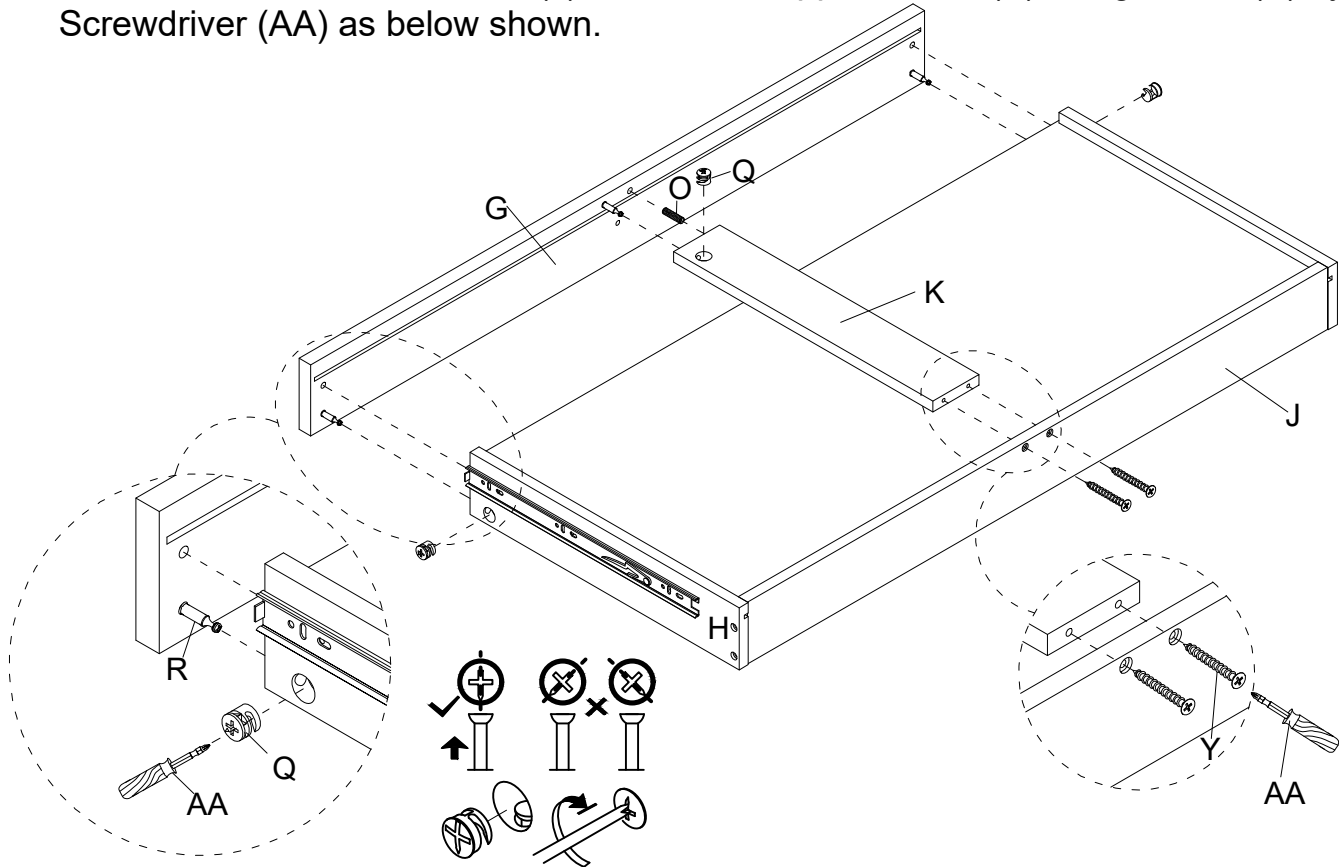
- 9** Assemble part 2 of Slide Rail (U-2) to Drawer Side Panel - L (H) and Drawer Side Panel - R (I), using Screw (V) to tighten by Screwdriver (AA). Insert Wood Dowel (O) to Drawer Side Panel - L (H) & Drawer Side Panel - R (I), assemble Bolt (R) to Drawer Front Panel (G) to fasten by Screwdriver (AA) as below shown.



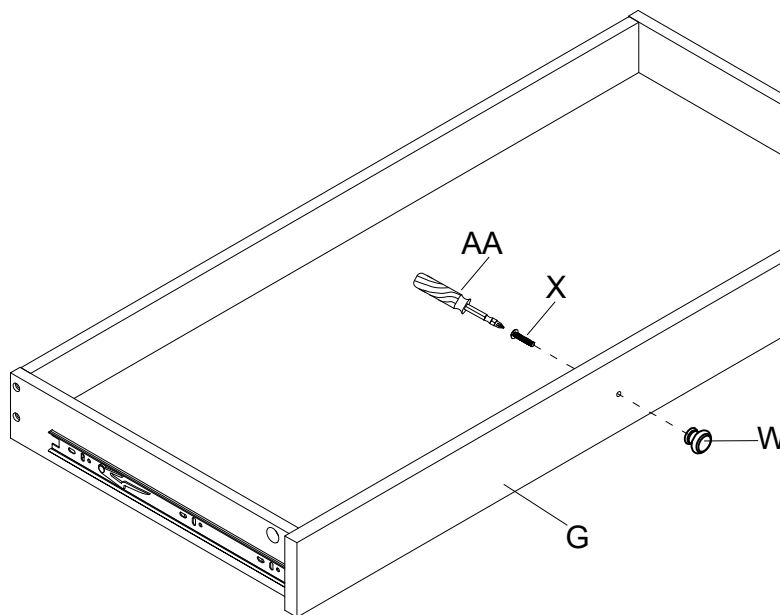
- 10** Insert Drawer Bottom Panel (L) into Drawer Side Panel - L (H), Drawer Side Panel - R (I) and Drawer Back Panel (J), then using Screw (Y) by Screwdriver (AA) to assemble Drawer Side Panel - L (H), Drawer Side Panel - R (I) with Drawer Back Panel (J) as below shown.



- 11** Insert Wood Dowel (O) to Drawer Support Panel (K) first, assemble Drawer Front Panel (G) to pre-assembled drawer box using Nut (Q) to Bolt (R) by Screwdriver (AA), assemble Drawer Back Panel (J) to Drawer Support Panel (K) using Screw (Y) by Screwdriver (AA) as below shown.

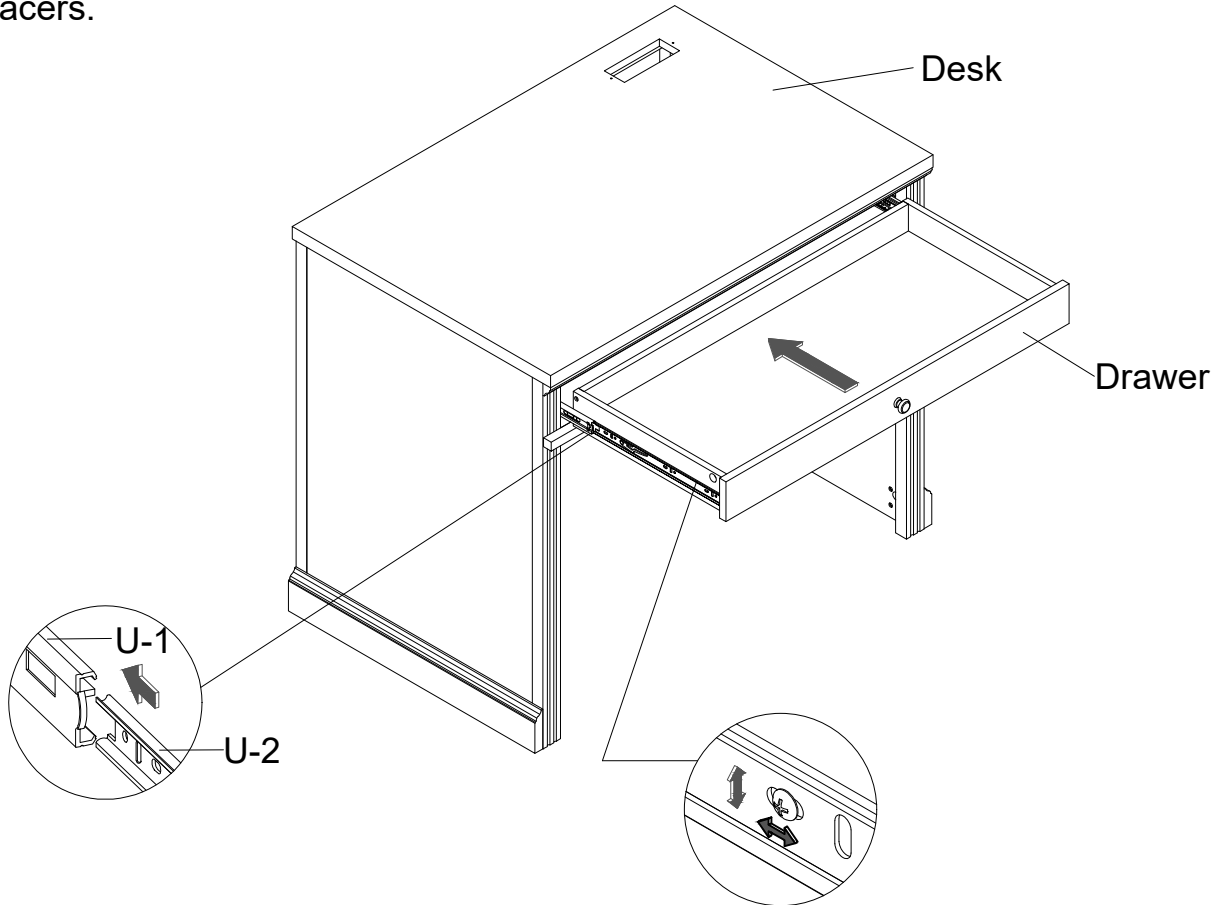


- 12** Attach Knob (W) to Drawer Front Panel (G), using Bolt (X) by Screwdriver (AA) as below shown.

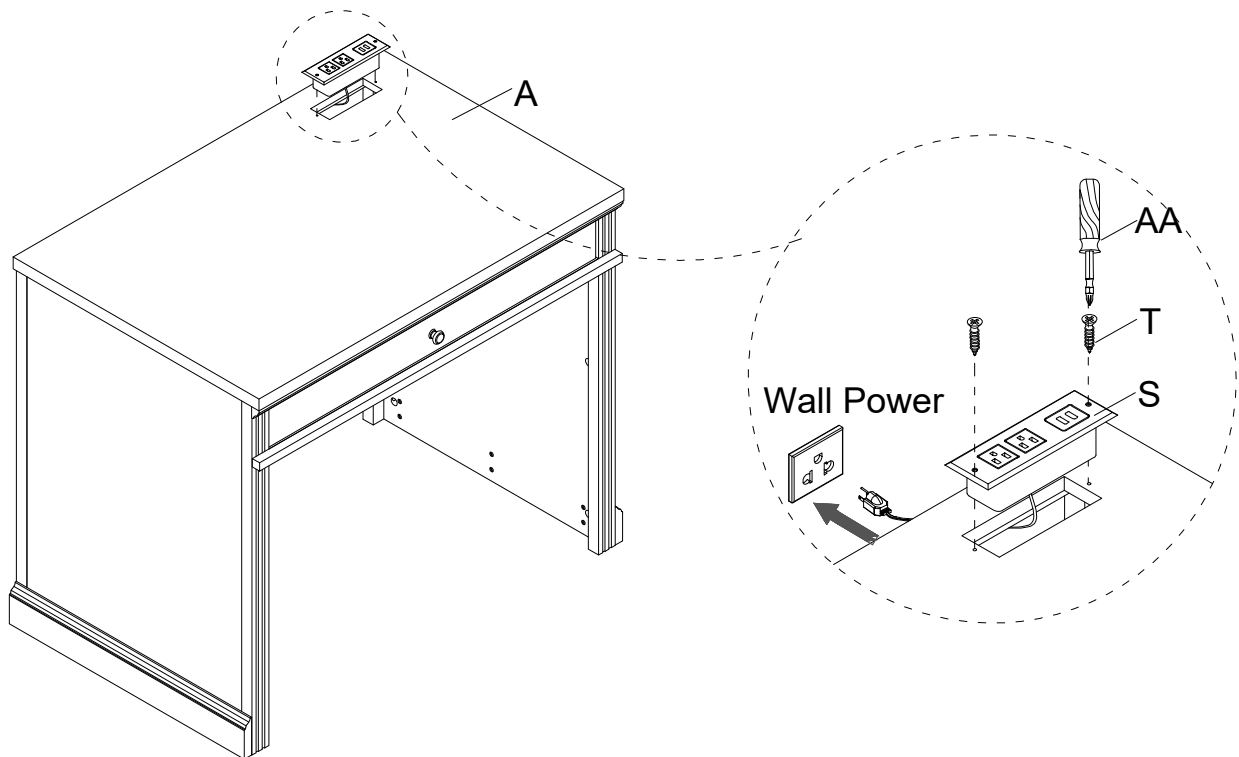




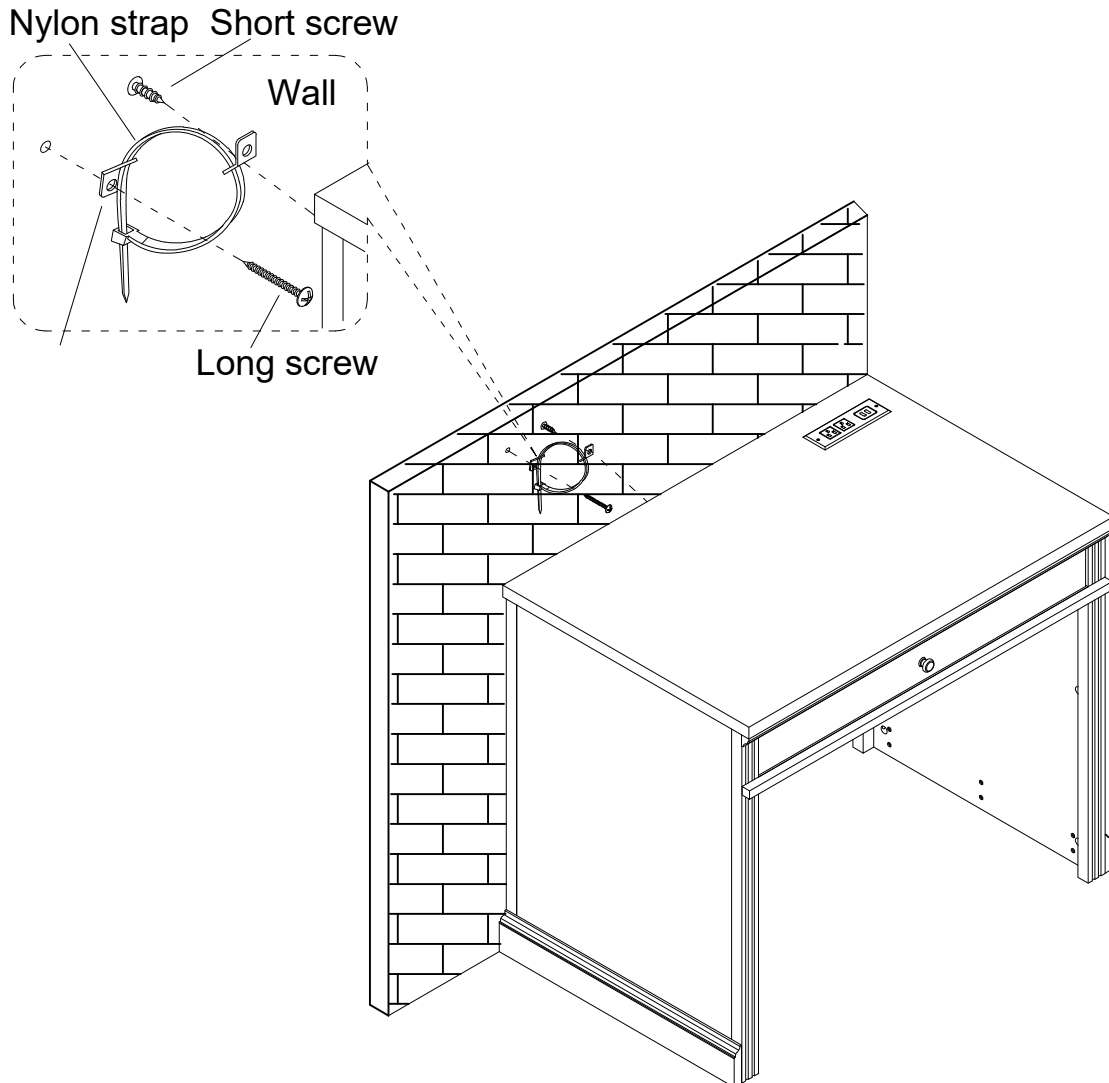
- 13** Attach the pre-assembled drawer by using Slide Rail (U) to the pre-assembled Desk. Move slide ball spacers to front. Hold drawer horizontally, and slide runners into ball spacers.



- 14** Attach Adaptor (S) to the hole of Desk Top (A), using Screw (T) by Screwdriver (AA) as below shown.



- 
- 15** Remark: there is an Anti-Tipping Kit (AB) provided on the back of this product. Please read the instruction thoroughly and install immediately when placed in home. To prevent tip over, the product must be attached to wall.



---

### Cleaning & Care

Treat surface with care. Surface is resistant to scratches but is not scratch resistant. Clean surfaces with a dry or damp soft cloth. Do not use abrasive cleaners. Hardware may loosen over time. Periodically check that all connections are tight.