
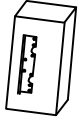
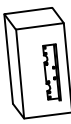






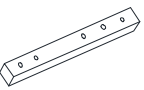
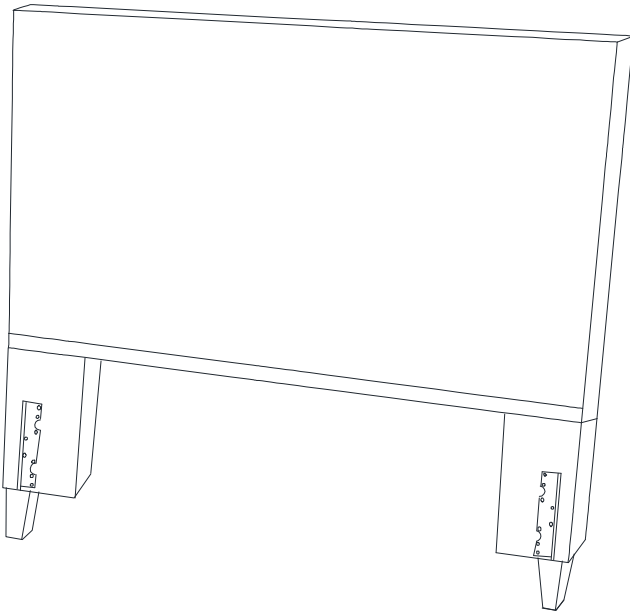


ASSEMBLY INSTRUCTION

E376B TUFTING UPHOLSTERED HEADBOARD

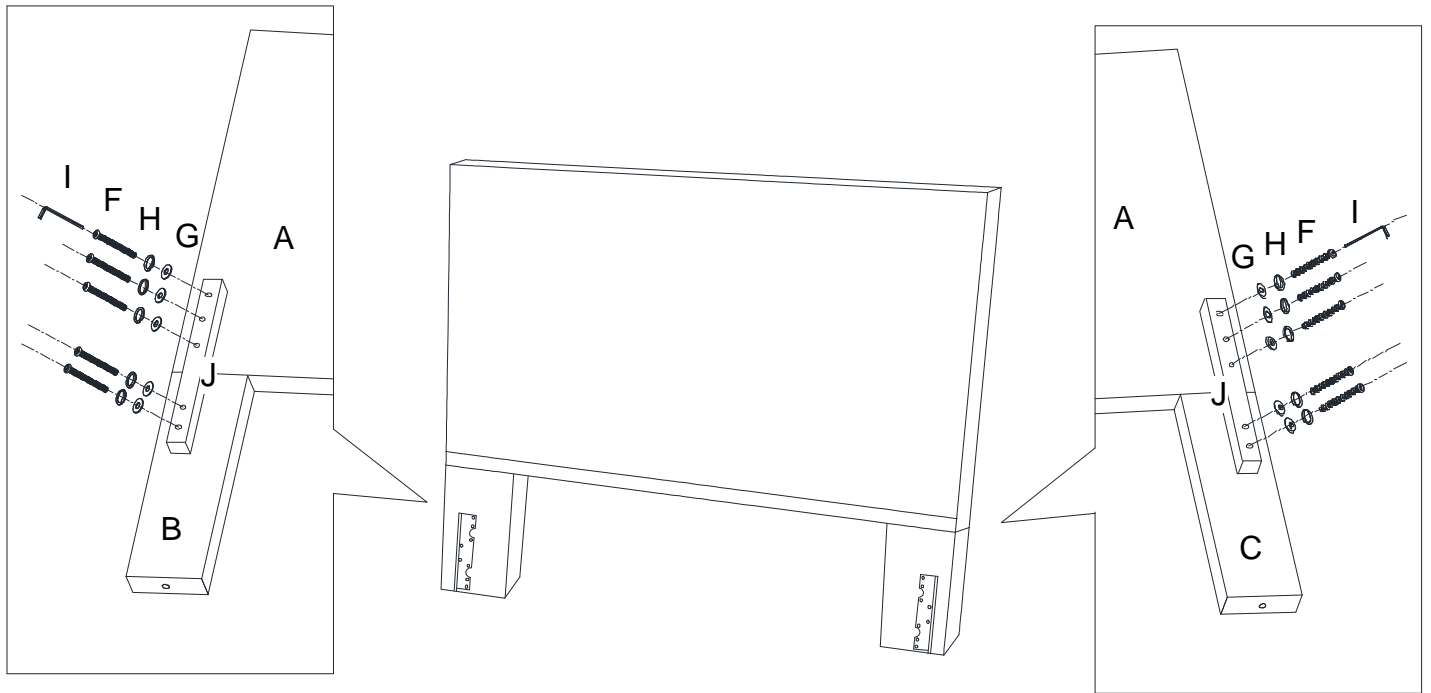
A Headboard  1pc	B Left Wooden Frame  1pc	C Right Wooden Frame  1pc	D Wooden Leg  2pcs	E Bolt 1/4" x 78mm  2pcs
F Bolt 1/4" x 65mm  10pcs	G Flat Washer  12pcs	H Lock Washer  12pcs	I Allen Wrench  1pc	J Slate  2pcs



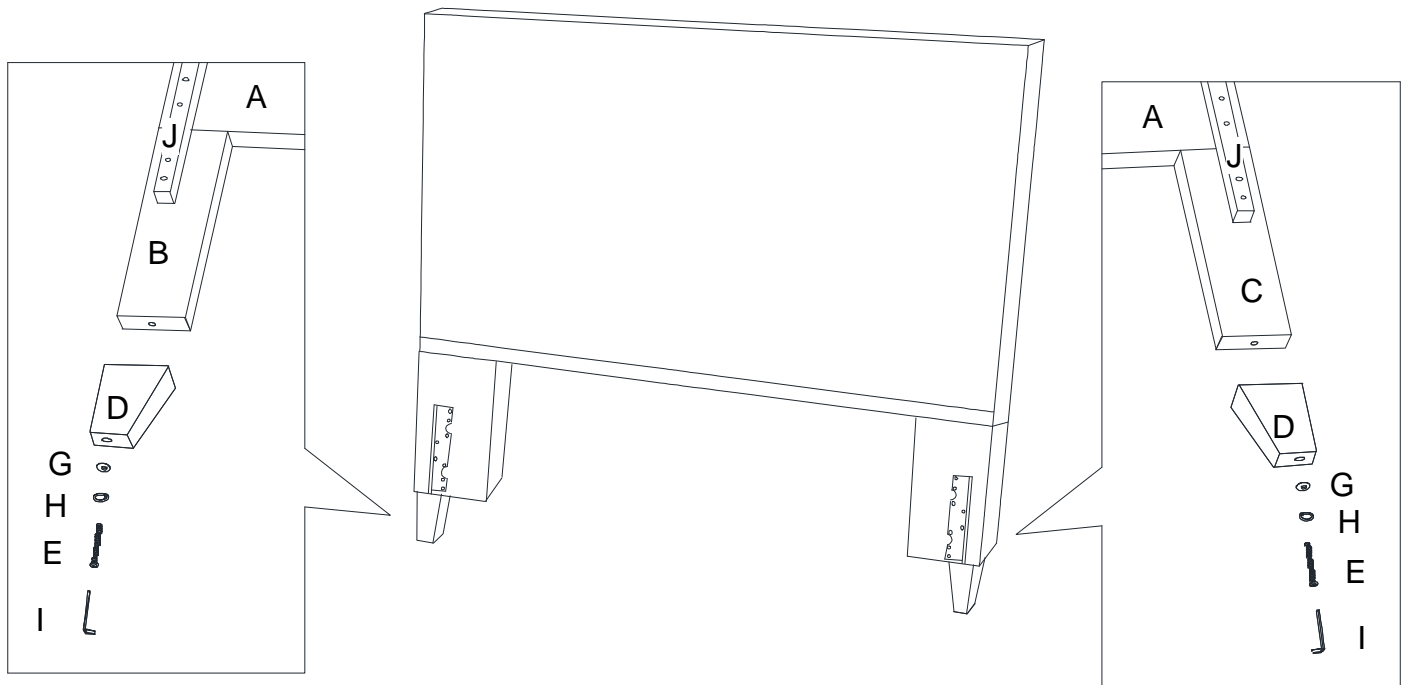
This page lists all the contents included in the box. Please take the time to identify the hardware as well as the individual components to this product. As you unpack and prepare for assembly, place the contents on a carpeted or padded area to protect them from damage.

1

Attached Left Wooden Frame (B) and Right Wooden Frame (C) to the Headboard (A) use Bolt (F), Lock Washer (H) and Flat Washer (G) on holes of Slates (J). Turn the Allen Wrench (I) in Bolt (F).

**2**

Attached Wooden Leg (D) to the Wooden Frame (B) (C) use Bolt (E), Lock Washer (H) and Flat Washer (G) on both of holes. Turn the Allen Wrench (I) in Bolt (E).

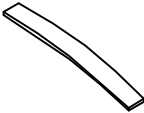


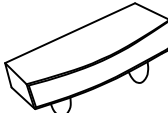
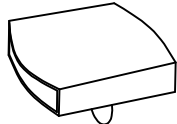












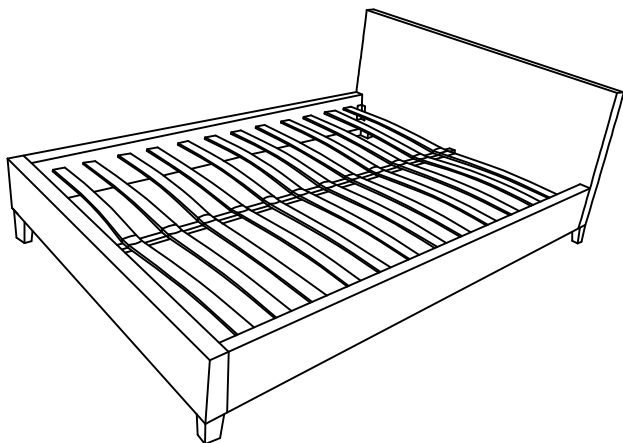
Cleaning & Care

Treat surface with care. Surface is resistant to scratches but is not scratch resistant. Clean surfaces with a dry or damp soft cloth. Do not use abrasive cleaners. Hardware may loosen over time. Periodically check that all connections are tight.

ASSEMBLY INSTRUCTION

315B E377 E388 886B 885B E376 E900 E784 E608 E609 E729 E799 8155 E700 FULL & QUEEN BED - EURO SLATS PARTS

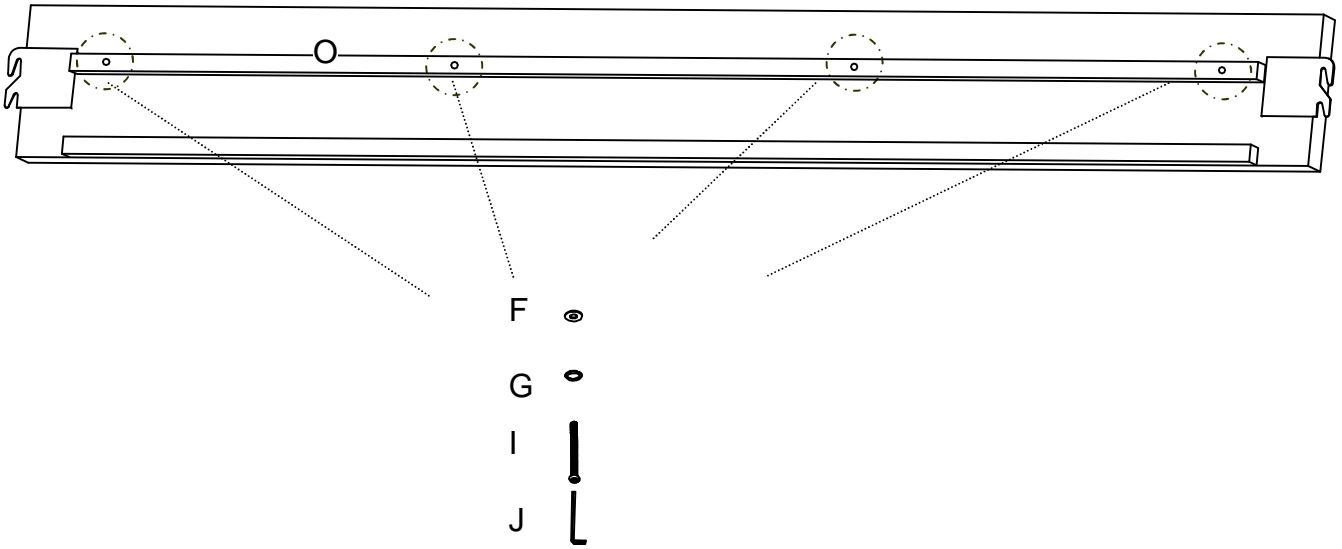
A Wooden Slat	B Support Leg	C Iron Pipe	D Single-Sided Cover	E Double-Sided Cover
				
26pcs	4pcs	1pc	26pcs	13pcs
F Flat Washer	G Lock Washer	H Bolt 1/4" x 30mm	I Bolt 1/4" x 50mm	J Allen Wrench
				
20pc	17pcs	2pcs	12pcs	1pc
K Iron Pipe	L Bolt 1/4" x 65mm	M Nut	N Wrench	O Iron Pipe
				
1pc	3pcs	3pcs	1pc	2pcs



This page lists all the contents included in the box. Please take the time to identify the hardware as well as the individual components to this product. As you unpack and prepare for assembly, place the contents on a carpeted or padded area to protect them from damage

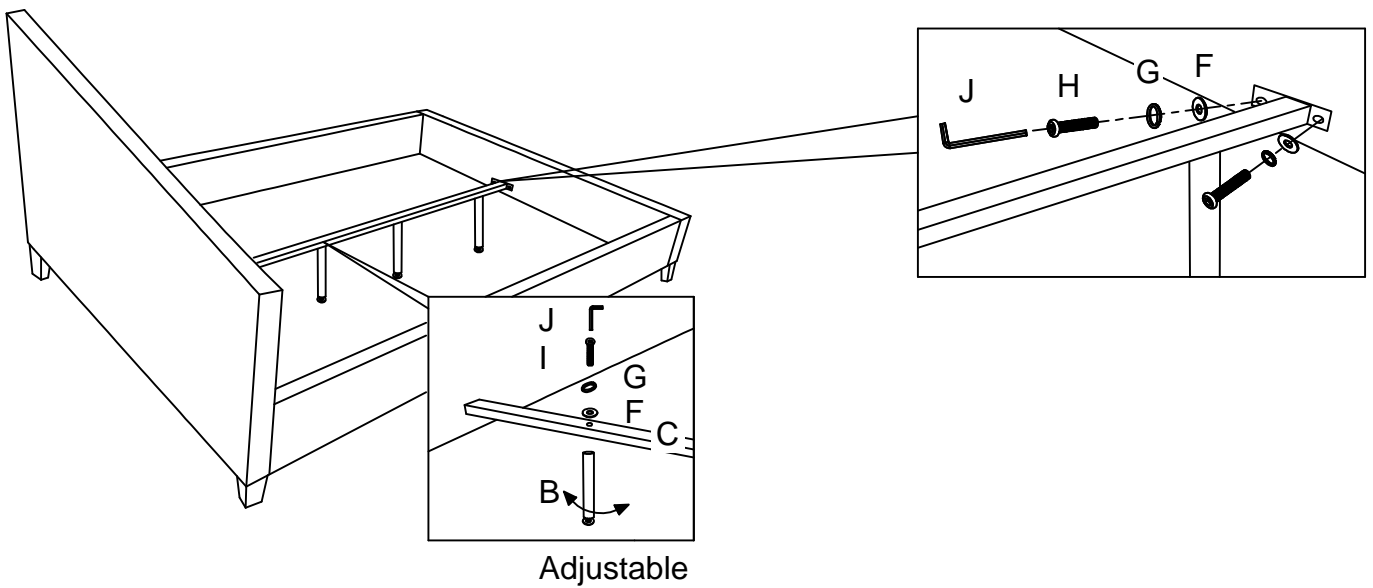
1

Attached Iron Pipe(O) to the both Side Rails use Bolt(I), Flat Washer(F), Lock Washer(G) by Allen Wrench(J).



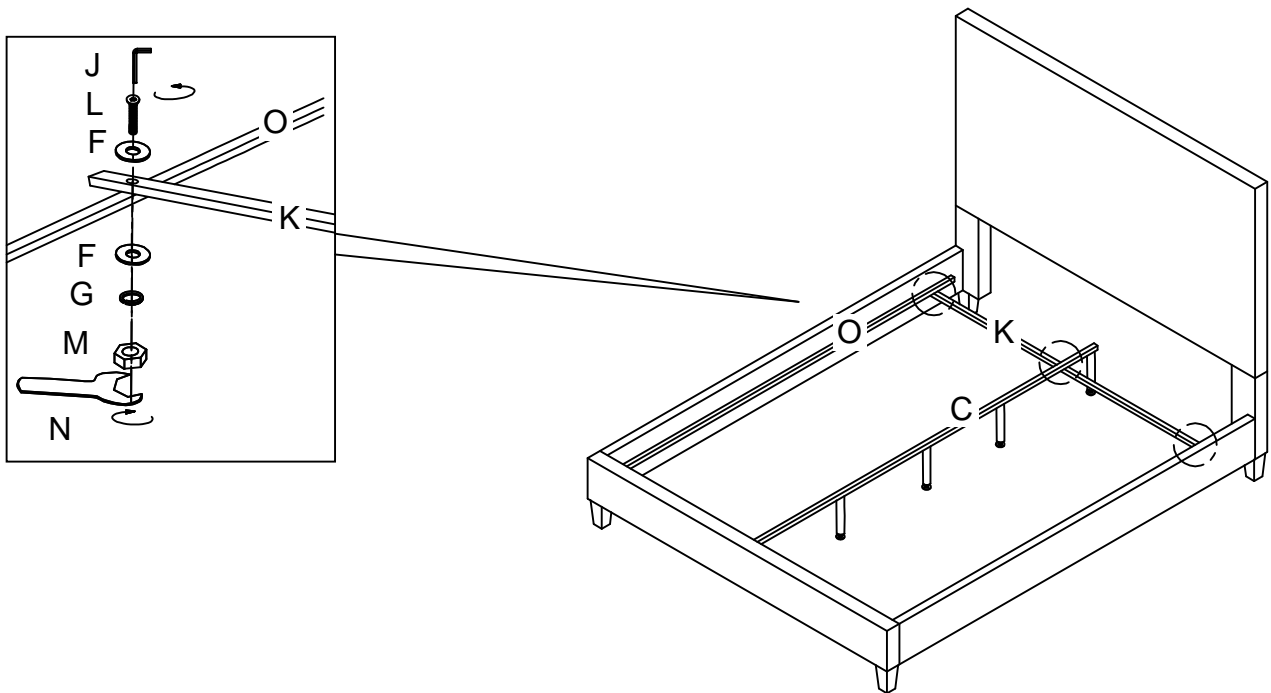
2

Attached Support Leg(B) to the Iron Pipe(C) use Bolt(I), Flat Washer(F), Lock Washer(G) by Allen Wrench(J). Then assembly Iron Pipe(C) to Footboard use Bolt(H), Flat Washer(F), Lock Washer(G) by Allen Wrench(J).

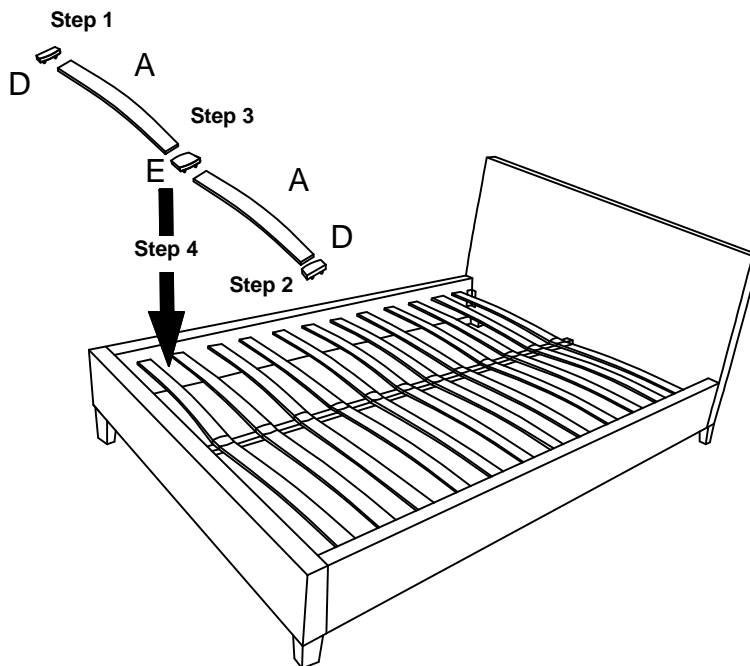


3

Assembly Iron Pipe(K) to Iron Pipe (O) and Iron Pipe(C) use Bolt(L), Flat Washer(F), Lock Washer (G), Nut(M) by Allen Wrench(J) & Wrench(N).

**4**

Attach Wooden Slat(A) with Single-Sided Cover(D) at both end, then attach the Wooden Slat(A) into Double-Sided Cover(E) and press downward Double-Sided Cover(E) lock in the hole on the center metal rail.



Cleaning & Care

Treat surface with care. Surface is resistant to scratches but is not scratch resistant. Clean surfaces with a dry or damp soft cloth. Do not use abrasive cleaners. Hardware may loosen over time. Periodically check that all connections are tight