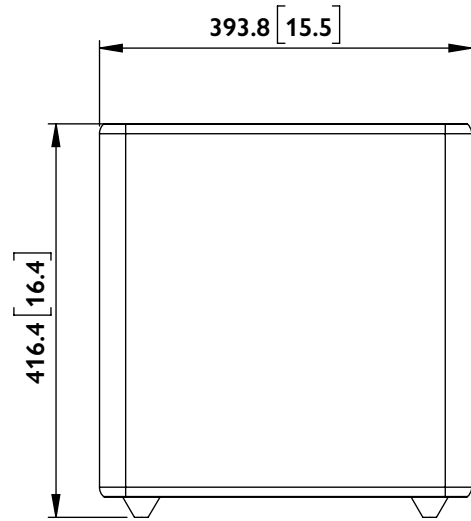
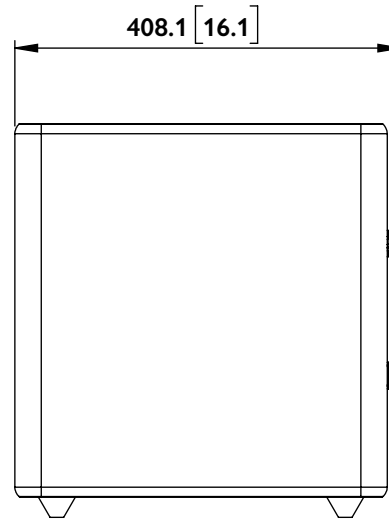


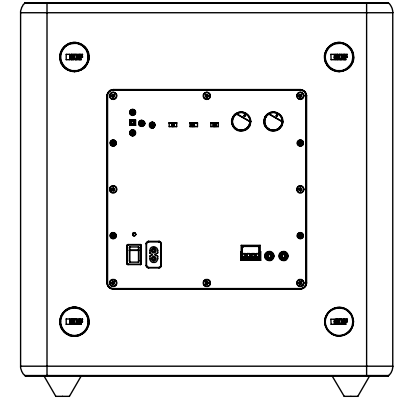
FRONT



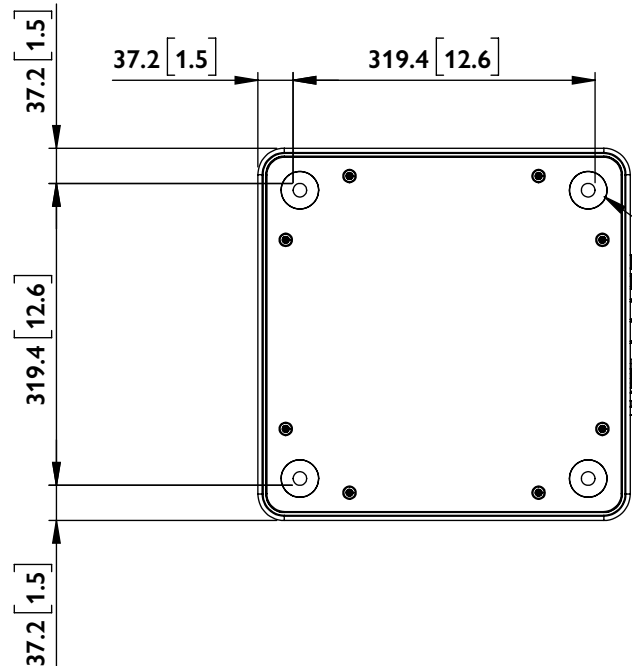
SIDE



BACK



BOTTOM



Feet thread size:  
M6 x pitch 1.0

Kube 12 MIE

UNIT: MM [INCH]