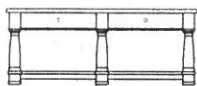






HEKMAN®

A HOWARD MILLER COMPANY

23501 RECT. COFFEE TABLE W/DRAWERS

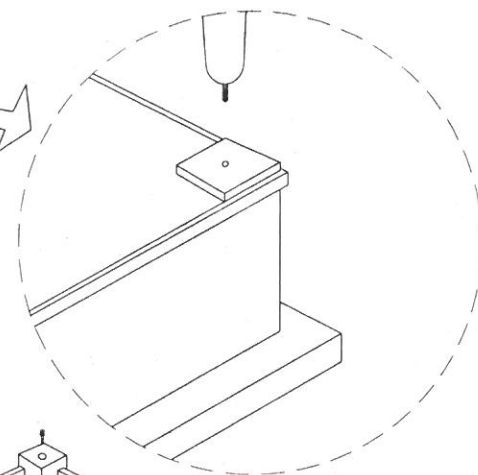
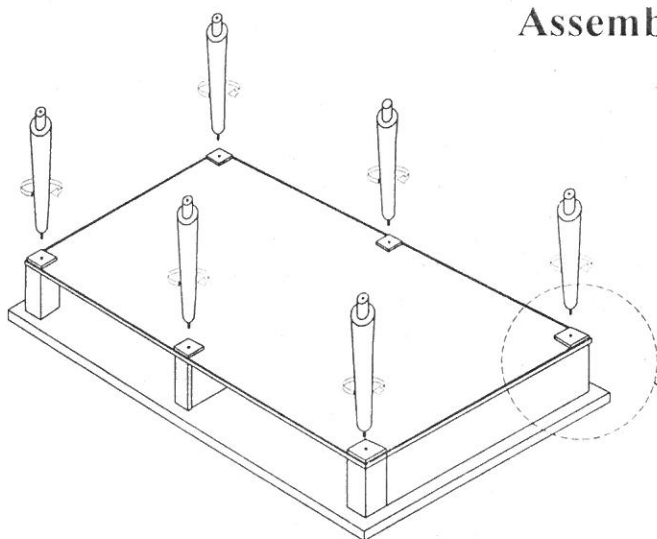
Hardware List

A	B	C	D	
ALLEN BOLT M6 X 100 (6 PCS.)	FLAT W. M6 6 PCS.	SPRING W. M6 4 PCS.	ALLEN KEY 1.4 FOR ALLEN BOLT 1 PC.	
				

Assembly Instruction

STEP 1.

LAY TOP PANEL UPSIDE DOWN ON A SOFT, CLEAN AND FLAT SURFACE. ALIGN POST TO HOLES IN TOP ASSEMBLY AND TURN UNTIL TIGHT.



STEP 2.

ALIGN LEGS TO HOLES IN BASE ASSEMBLY AND CONNECT USING FLAT WASHER (B), SPRING WASHER (C), ALLEN BOLT (A) AND ALLEN KEY (D) PROVIDED.

