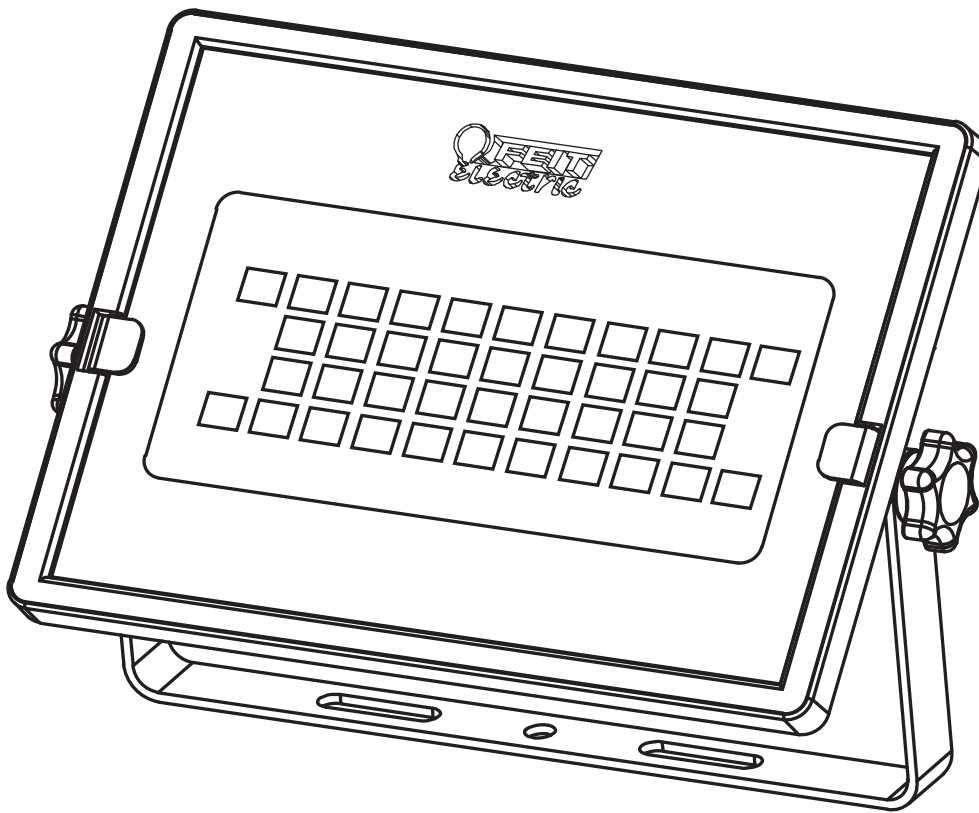


# IMPORTANT SAFETY INSTRUCTIONS AND INSTALLATION GUIDE

## Rechargeable Multi-Color LED Flood Light with RF Remote Control



**READ BEFORE USAGE**  
**SAVE THESE INSTRUCTIONS**

# Table of Contents

Safety Information .....	2
Maintenance and Care .....	2
FCC Statement .....	2
Warranty .....	2
Parts Included / Specifications .....	3
No Assembly Required .....	4
Remote Control Instructions .....	4

## Important Safety Information

### READ ALL INSTRUCTIONS

- All safety and operating instructions in this manual must be followed before using this product.
- Follow all safe guards stated in the manual, in addition to normal safety precautions in working with electrical devices. Always follow basic safety precautions to reduce the risk of fire, electric shock and personal injury.
- Ground Fault Circuit Interrupter (GFCI) protection is to be provided on the circuit(s) or for the wet location portable luminaire. Receptacles are available having built-in GFCI protection and are able to be used for this measure of safety.
- Use only with an extension cord for outdoor use, such as an extension cord of cord type SEW, SEOW, SE00W, SOW, SOOW, STW, STOW, STOOW, SJEW, SJEOW, SJE00W, SJW, SJOW, SJOOW, SJTW, SJTOW, or SJTOOW.
- To disconnect, turn off the unit, then remove the plug from the outlet. Do not turn off by pulling on the cord.
- To reduce the risk of fire, keep away from combustible materials while in operation.
- To reduce the risk of injury, close supervision is necessary when this product is used near children.
- Suitable for Wet Locations.
- Must not be connected to a dimmer.
- Operating Temperature: 32°F to 113°F.

### SAVE THESE INSTRUCTIONS

## Maintenance and Care

Regularly clean the lens with a non-abrasive cleaning cloth. The same care should be provided for the bracket.

## FCC Statement

**Supplier's Declaration of Conformity:** 47 CFR § 2.1077 Compliance Information  
**Responsible Party:** Feit Electric Company 4901 Gregg Road, Pico Rivera, CA 90660, USA **Unique Identifier:** FLD30/RGB/BAT

This device complies with part 15 of the FCC Rules. Operation is subject to the following two conditions: (1) This device may not cause harmful interference, and (2) this device must accept any interference received, including interference that may cause undesired operation. Note: This equipment has been tested and found to comply with the limits for a Class B digital device, pursuant to part 15 of the FCC Rules. These limits are designed to provide reasonable protection against harmful interference in a residential installation. This equipment generates, uses and can radiate radio frequency energy and, if not installed and used in accordance with the instructions, may cause harmful interference to radio communications. However, there is no guarantee that interference will not occur in a particular installation. If this equipment does cause harmful interference to radio or television reception, which can be determined by turning the equipment off and on, the user is encouraged to try to correct the interference by one or more of the following measures: reorient or relocate the receiving antenna. Increase the separation between the equipment and receiver. Connect the equipment into an outlet on a circuit different from that to which the receiver is connected. Consult the dealer or an experienced radio/TV technician for help. Any changes or modifications not expressly approved by the manufacturer could void the user's authority to operate the equipment.

## Limited Warranty

This product is warranted to be free from defects in workmanship and materials for up to 1 year from date of purchase. If the product fails within the warranty period, please contact Feit Electric at info@feit.com, visit feit.com/contact-us for instructions on replacement or refund. REPLACEMENT OR REFUND IS YOUR SOLE REMEDY. EXCEPT TO THE EXTENT PROHIBITED BY APPLICABLE LAW, ANY IMPLIED WARRANTIES ARE LIMITED IN DURATION TO THE DURATION OF THIS WARRANTY. LIABILITY FOR INCIDENTAL OR CONSEQUENTIAL DAMAGES IS HEREBY EXPRESSLY EXCLUDED. Some states and provinces do not allow the exclusion of incidental or consequential damages, so the above limitation or exclusion may not apply to you. This warranty gives you specific legal rights, and you may also have other rights which vary from state to state or province to province.



**WARNING: RISK OF SHOCK.** House electric current can cause painful shock or serious injury if not handled properly.



**WARNING:** When using outdoor portable luminaires, basic safety precautions should always be followed to reduce the risk of fire, electric shock, and personal injury.



**WARNING:** Use only three-wire extension cords that have three-prong grounding plugs and grounding receptacles that accept the appliance's plug. Do not use an extension cord near water or in areas where water may accumulate. Keep away from pools or spas. Keep plugs dry.



**WARNING:** Eye damage caused by high light intensity. Never look directly into the light source.

### BATTERY WARNING:

Risk of fire, explosion, and burns. Do not disassemble, crush, heat above 100°C / 212°F or incinerate. REPLACE REMOTE BATTERY ONLY WITH one CR2025 battery. DISPOSE OF USED BATTERY PROMPTLY. KEEP AWAY FROM CHILDREN. DO NOT DISASSEMBLE AND DO NOT DISPOSE OF IN FIRE. When replacing battery, ensure the new battery is installed correctly with regard to polarity (+ and -) as shown on remote.

### CAUTION:

Dispose of used battery promptly according to local recycling or waste regulations. Clean battery contacts and also device contacts prior to installing battery. Ensure the battery is installed correctly with regard to polarity (+ and -). Remove battery from remote when not being used for an extended period of time. Remove used battery promptly. The LEDs in this flood light are not replaceable.

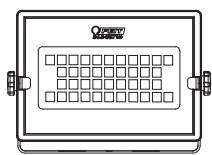
- WARNING - KEEP BATTERIES OUT OF REACH OF CHILDREN
- Swallowing may lead to serious injury or death in as little as 2 hours, due to chemical burns and potential perforation of the esophagus.
- If you suspect your child has swallowed or inserted a button battery, immediately seek urgent medical assistance.
- Examine devices and make sure the battery compartment is correctly secured (e.g. that the screw or other mechanical fastener is tightened). Do not use if compartment is not secure.
- Dispose of used button battery immediately and safely. Flat battery can still be dangerous.

This product contains a button battery. If swallowed, it could cause severe injury or death in just 2 hours. Seek medical attention immediately.

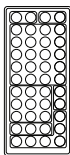
# Parts Included



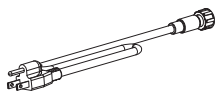
**NOTE:** Parts not shown to actual size.



A



B



C

## Specifications

Lumen	150 on battery 1200 on AC Power
Life	25,000 hrs
Run Time	6 hrs
Charge Time	5 hrs
Operating Temperature	32°F-113°F
Battery	Non-replaceable Li-Ion 3.7V 4000mAh

Part	Description	Quantity
A	Rechargeable Multi-Color LED Flood Light	1
B	RF Remote Control	1
C	Rechargeable AC Cord	1

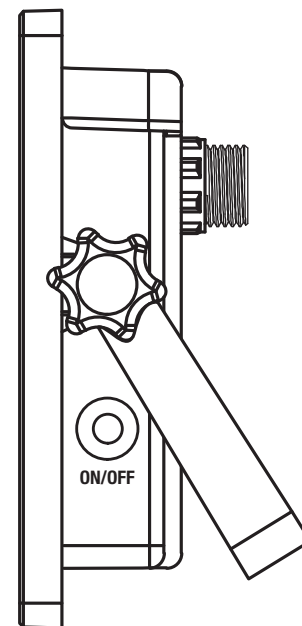
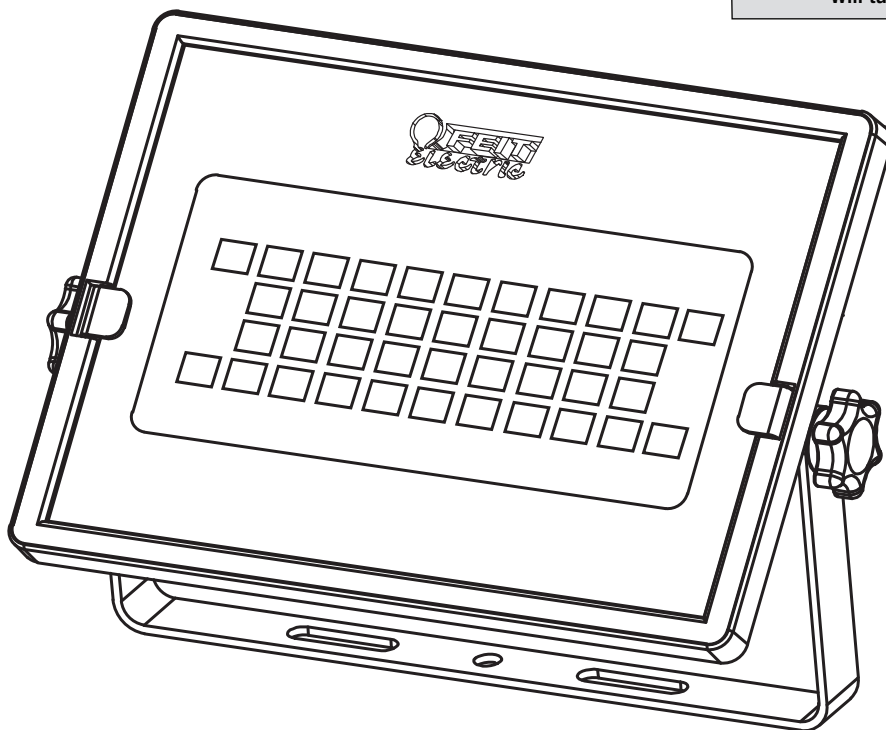
## Parts of the Rechargeable LED Flood Light

### Rechargeable Flood Light with Color Memory Function

- 120VAC 60Hz, 30W on AC / 5W on Battery
- 120° Beam Spread
- IP66 Water Resistant



**NOTE:** When AC cord is connected, the red indicator light will show it's charging. When charging is complete, the indicator light will turn green.



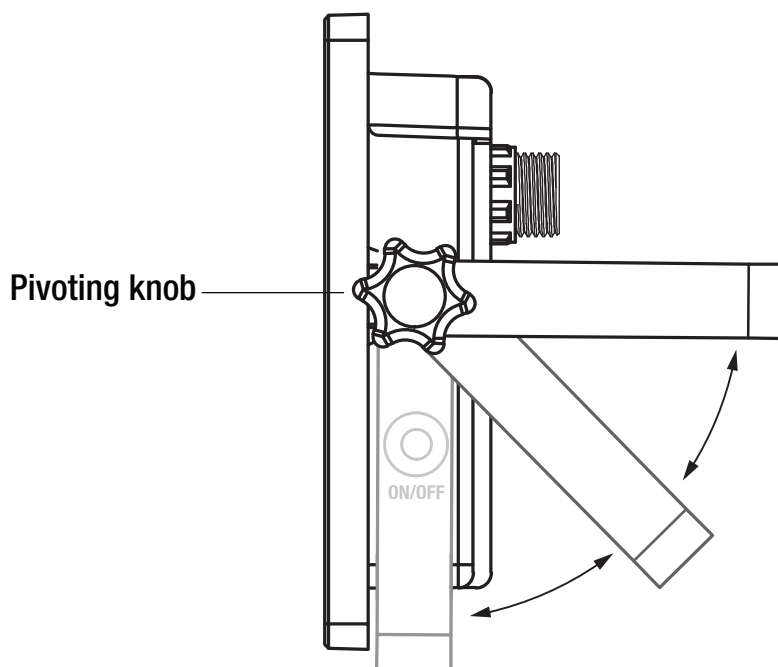
### ON/OFF Button Instruction

- **ON:** Press once to turn the Flood Light on.
- **OFF:** Press and hold for four seconds to turn the Flood Light off.
- **CYCLE:** Press when the Flood Light is on to cycle through the solid colors, fade mode, then off.

# Works Out of the Box / No Assembly Required

## Vertical Pivoting

The Rechargeable LED Flood Light can pivot vertically into the desired position. To pivot vertically, simply adjust the flood light to your preferred position/angle. Once set to your desired position, additional tightening can be done by hand.



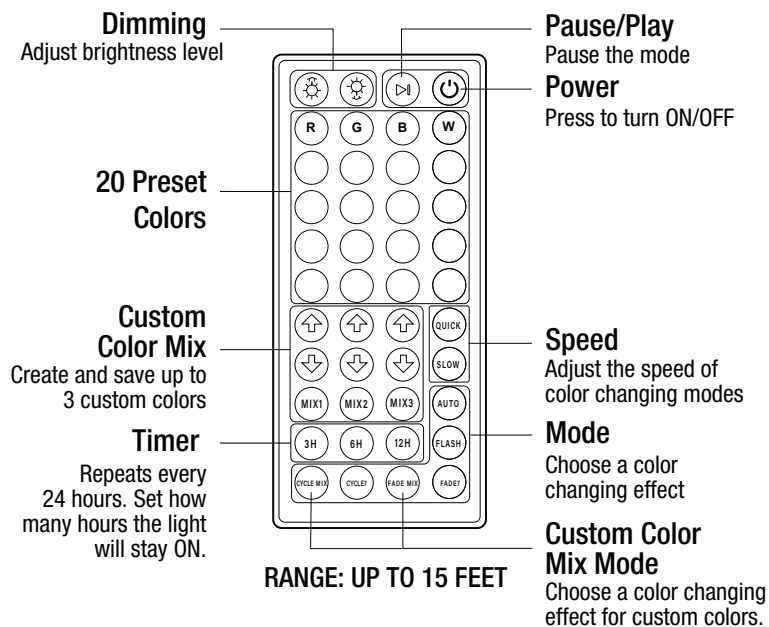
## WARNING:

These products may represent a possible shock or fire hazard if improperly installed or attached in any way. Products should be installed in accordance with this install guide, current electrical codes and/or the current National Electric Code (NEC).

## Remote Control Instructions



**NOTE:** Obstructions can reduce the range of the remote. Test the remote performance before installation.



### Set Timer

1. Choose a 3, 6, or 12 hour interval using the timer buttons.
2. The light will turn on once every day for the selected interval until the timer is canceled or the device is unplugged.
3. To cancel the timer, press one of the timer buttons rapidly three times until the Flood Light flashes twice indicating the timer has been canceled.

### Create a Custom Color

1. Press the MIX1, MIX2, or MIX3 button
2. Create a custom color by adjusting Red, Green, and Blue using the up or down arrows.

### Mode Description

- **Auto:** Rotate through different modes.
- **Flash:** Turns color On and Off.
- **FadeMix:** Smoothly transitions through custom colors.
- **Fade7:** Smoothly transitions through 7 preset colors.
- **CycleMix:** Rotates through custom colors.
- **Cycle7:** Rotates through 7 preset colors.

### Control Multiple Flood Lights with One Remote

Multiple Flood Lights can be controlled together by pairing them to one remote.

### How to Pair to a New Remote

Plug in the Flood Light to 120V receptacle. Within 3 seconds, press and hold the power button on the remote. The Flood Light will blink 3 times indicating it is now paired.

### On battery mode

While the unit is off, hold the On/Off button on the Flood Light until the light turns on, then press and hold the Power button on the remote control within 3 seconds. The Flood Light will blink 3 times indicating it is now paired.

### How to Unpair

Plug in the Flood Light to 120V receptacle. Within 3 seconds, press and hold the power button on the remote. The Flood Light will blink 6 times indicating it has now unpaired.

### On battery mode

While the unit is off, hold the On/Off button the Flood Light until the light turns on, then press and hold the Power button on the remote control within 3 seconds. The Flood Light will blink 6 times indicating it is now unpaired.