

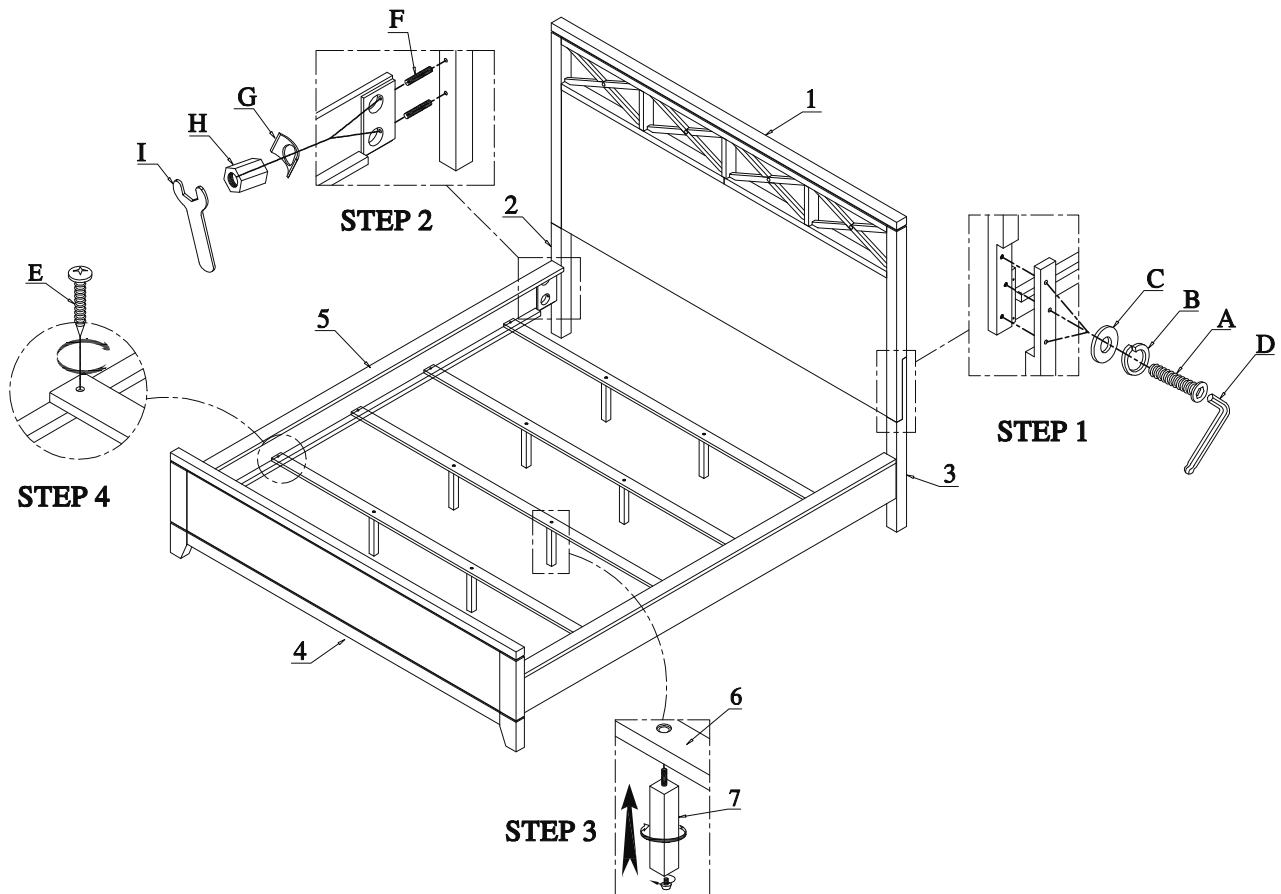


ITEM: 1669K-1 HEADBOARD 1669K-2 FOOTBOARD & SLATS 1669K-3CK CK SIDE RAIL

Thank you for purchasing this quality product. Be sure to check all packing material carefully for small parts which may have come loose inside the carton during shipment. Identify and count all parts and compare with the Parts List below.

! For items use on wooden floor, hard surfaces or carpets, it is recommended to Install protective pads under all legs and supports to avoid/ prevent from damages/ scratches and discoloration.

! Pour les articles Utilisés sur un plancher en bois, des surfaces dures ou tapis, il est recommandé d'installer des mordaches de protection sous tous les jambes et prend en charge pour éviter/empêcher de dommages/raies et la décoloration.



MADE IN VIETNAM

HARDWARE LIST OF 1669K-1

NO.	DRAWING	DESCRIPTION	QTY
A		Φ5/16"*18*2-1/4" Bolt	6PCS
B		Φ5/16" Lock Washer	6PCS
C		Φ5/16"*19*2mm Flat Washer	6PCS
D		5mm Allen Key	1PC

HARDWARE LIST OF 1669K-2

NO.	DRAWING	DESCRIPTION	QTY
E		#8*1" Screw	8PCS

HARDWARE LIST OF 1689K-3CK

NO.	DRAWING	DESCRIPTION	QTY
F		Φ5/16"*3-1/2" Hanger Bolt	8PCS
G		Φ5/16"*L17 Hex Nut	8PCS
H		L40*W15*T2(Φ5/16" Hole) Φ50 Arc Washer	8PCS
I		Φ5/16" Open Wrench	1PC

COMPONENT LIST

NO.	DESCRIPTION	QTY
1	HEADBOARD	1Pc
2	HEADBOARD LSF LEG	1Pc
3	HEADBOARD RSF LEG	1Pc
4	FOOTBOARD	1Pc
5	SIDE RAIL	2Pcs
6	SLAT	4Pcs
7	SLAT SUPPORT LEG	8Pcs