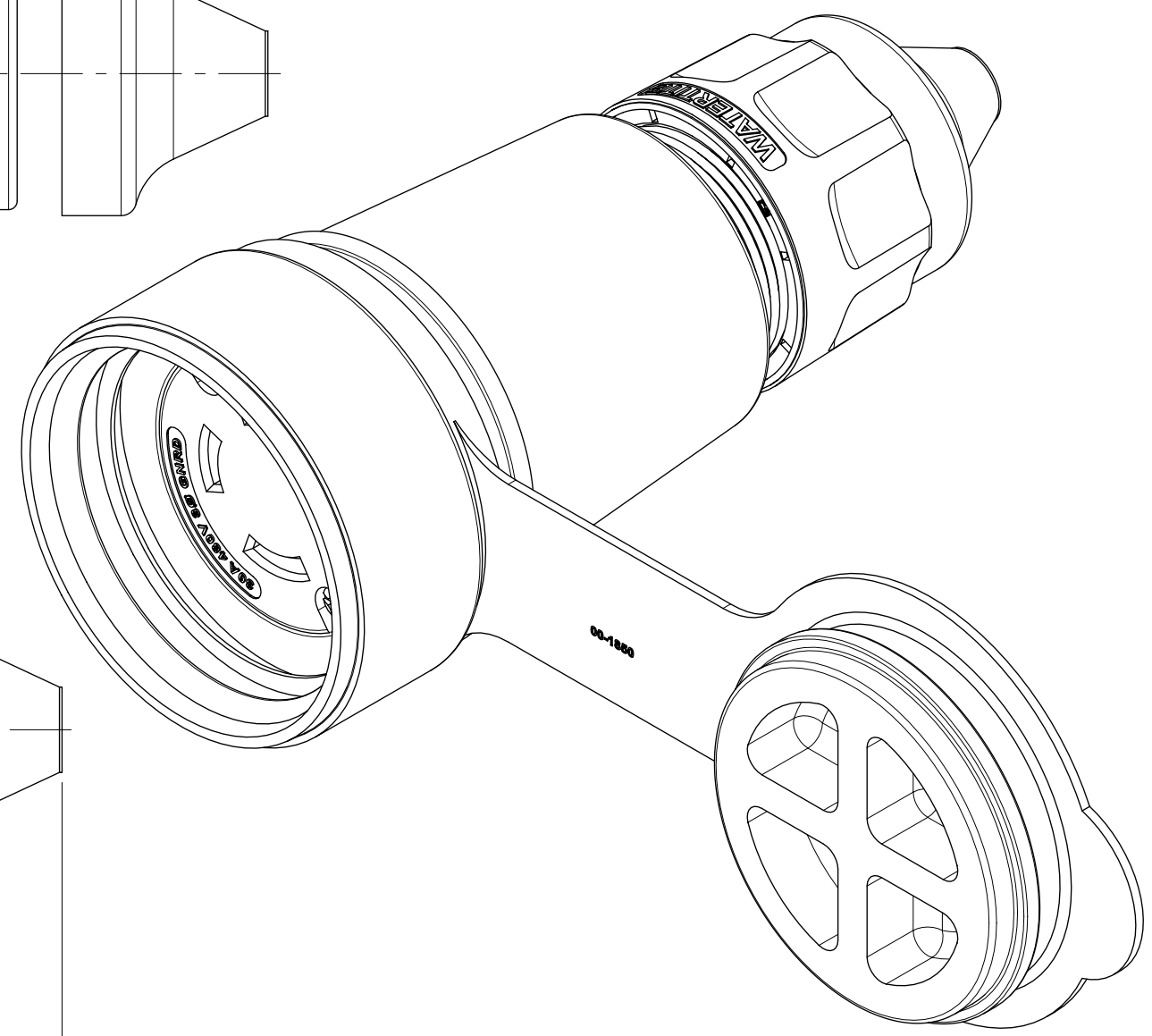
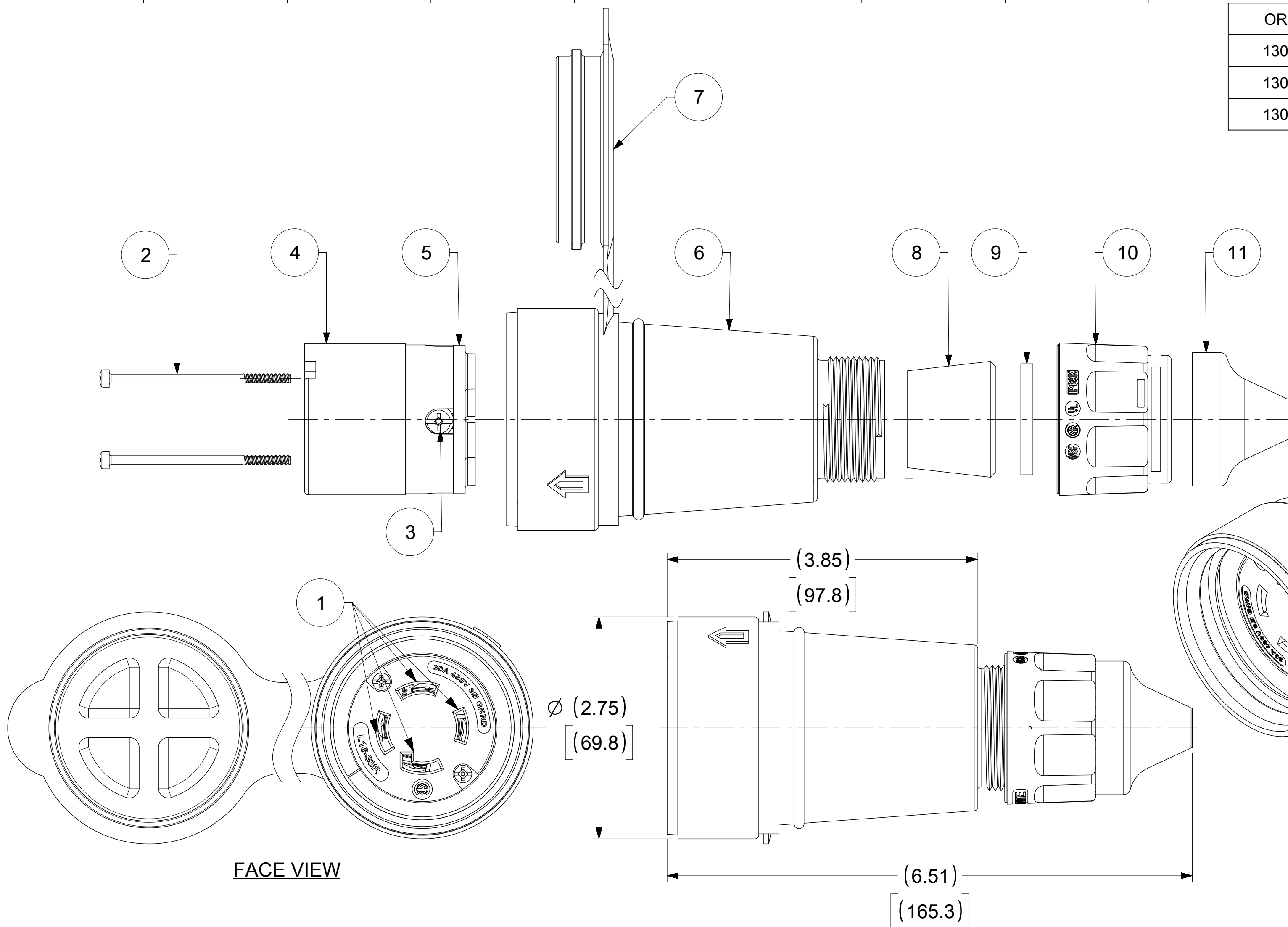


ORDER NO.	WOODHEAD NO.	COLOR
130147-0108	29W76	YELLOW
130147-0109	29W76BLK	BLACK
130147-0467	29W76-ICE	BLUE



FACE VIEW

ITEM NO.	DESCRIPTIONS	MATERIAL	QTY.
1	BLADE	BRASS, NICKEL PLATED	4
2	RETAINING SCREWS	STAINLESS STEEL	2
3	CLAMP AND TERMINAL SCREW ASSY	BRASS, ZINC PLATED	4
4	INSERT	NYLON	1
5	TERMINAL COVER	POLYCARBONATE	1
6	HOUSING	SILICONE WITH NYLON THREAD	1
7	COVER CLOSURE	SILICONE	1
8	GROMMET	RUBBER	4
9	FRICTION RING	NYLON	1
10	COMPRESSION NUT	NYLON	1
11	CABLE GLOVE	SILICONE	1

NOTE:
1. "ACCEPT CABLE RANGE FROM .562" TO 1.00"

FUNCTIONAL SYMBOLS FA = 0 FC = 0 FP = 0 DIVISIONAL SYMBOLS	THIS DRAWING CONTAINS INFORMATION THAT IS PROPRIETARY TO MOLEX ELECTRONIC TECHNOLOGIES, LLC AND SHOULD NOT BE USED WITHOUT WRITTEN PERMISSION		CURRENT REV DESC: ADDED 130147-0467 TO THE TABLE.	
	DIMENSION UNITS: INCH SCALE: NTS		EC NO: 695188 DRWN: DNGUYEN62 CHK'D: WLEUNG APPR: JFMURPHY	
	GENERAL TOLERANCES (UNLESS SPECIFIED) 4 PLACES ± 3 PLACES ± 2 PLACES ± 1 PLACE ± 0 PLACES ±		2022/02/09 2022/02/15 2022/03/15	
	ANGULAR TOL ± ° DRAFT WHERE APPLICABLE MUST REMAIN WITHIN DIMENSIONS		INITIAL REVISION: DRWN: DRAWN BY APPR: APPR BY	
THIRD ANGLE PROJECTION		DRAWING SERIES: C-SIZE 130147		DOCUMENT NUMBER: 1301470108 DOC TYPE: PSD DOC PART: 000 REVISION: B
MATERIAL NUMBER: SEE TABLE CUSTOMER: GENERAL MARKET SHEET NUMBER: 1 OF 1		molex WATERTITE CONNECTOR 3P4W L16-30 PRODUCT CUSTOMER DRAWING		