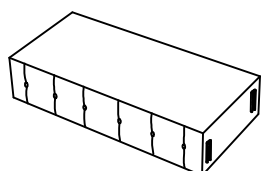


ASSEMBLY INSTRUCTION

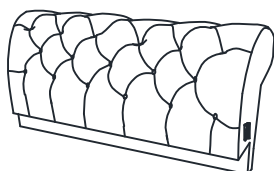
VELVET TUFTED LOVESEAT

A Seat Frame



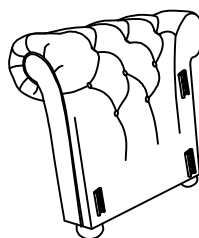
1pc

B Back Frame



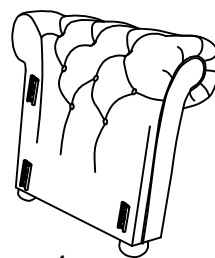
1pc

C Left Panel



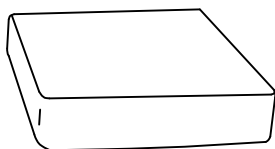
1pc

D Right Panel

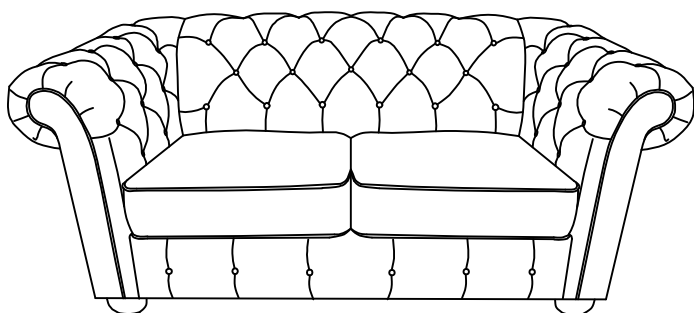


1pc

E Seat Cushion

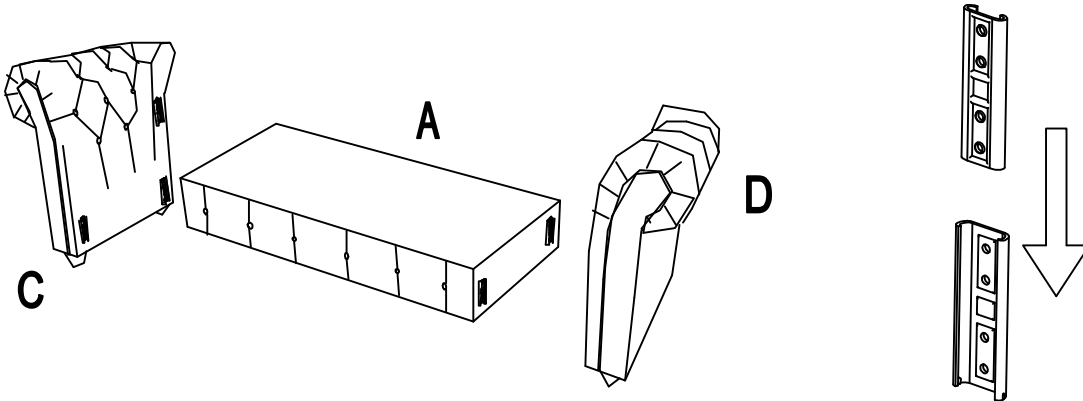


2pcs

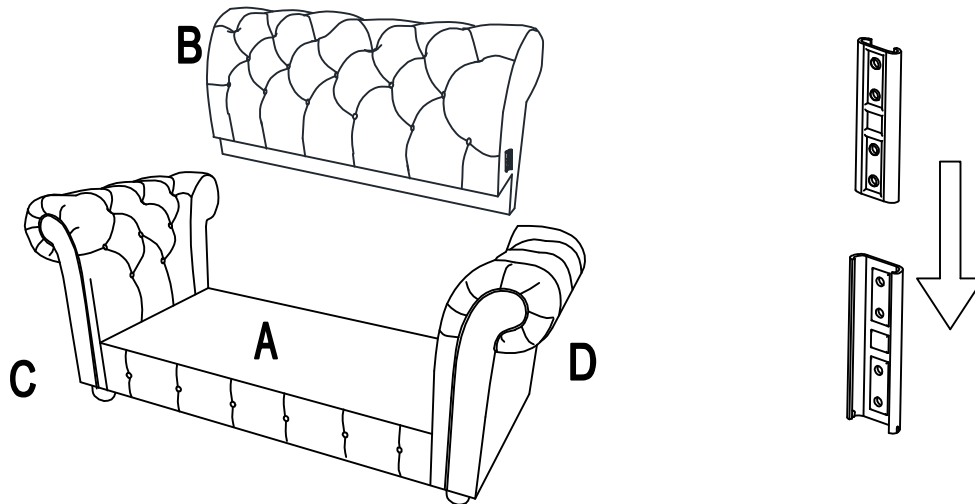


This page lists all the contents included in the box. As you unpack and prepare for assembly, place the contents on a carpeted or padded area to protect them from damage.

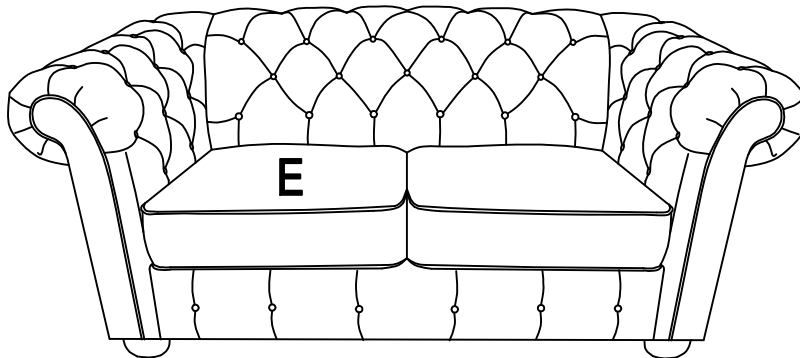
1 Hook on the Left Panel (C) & Right Panel (D) to Seat Frame (A) properly.



2 Hook on the Back Frame (B) to Left Panel (C) & Right Panel (D) properly.



3 Place Seat Cushion (E) on the chair properly. The assembly is complete.

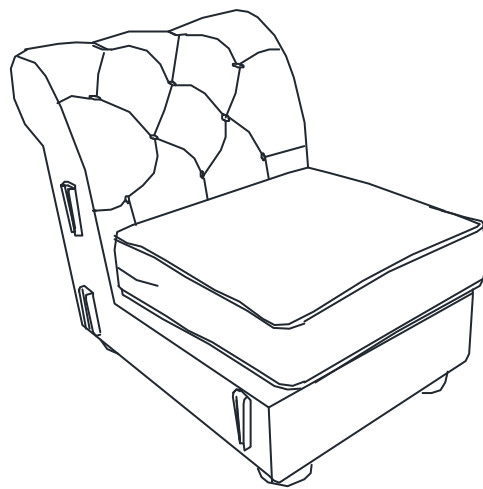


Cleaning & Care

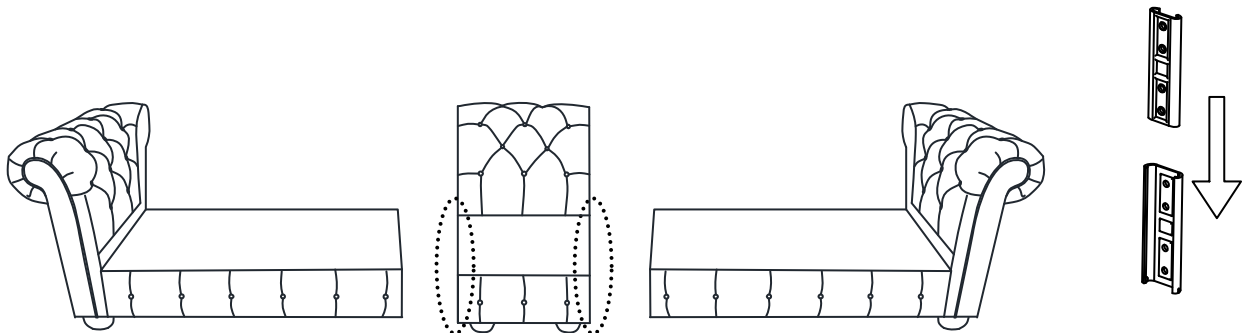
Treat surface with care. Surface is resistant to scratches but is not scratch resistant. Clean surfaces with a dry or damp soft cloth. Do not use abrasive cleaners.

ASSEMBLY INSTRUCTION

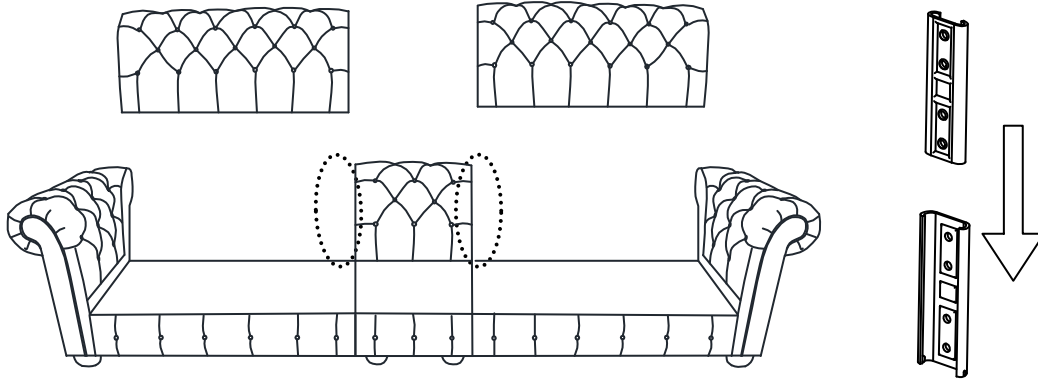
TUFTED EXTENSION CHAIR



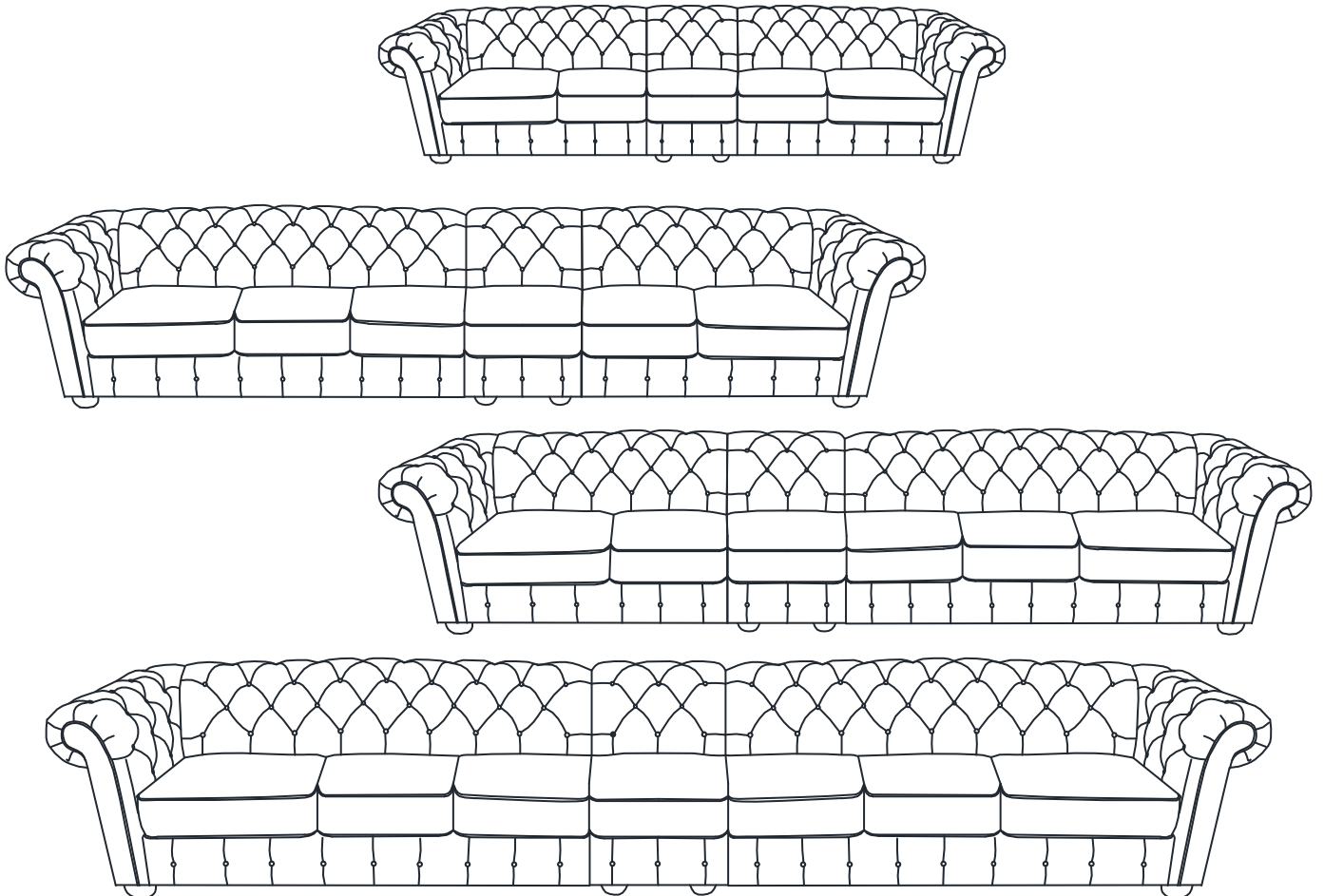
-
- 1** Hook on Seat Frame of Chair, Love Seat or Sofa to Tufted Extension Chair Seat properly.
(Seat Frame of Chair, Love Seat or Sofa are not in the Corner Seat carton)



-
- 2** Hook on Back Frame of Chair, Love Seat or Sofa to Tufted Extension Chair Back properly.
(Back Frame of Chair, Love Seat or Sofa are not in the Corner Seat carton)



-
- 3** Put the Cushion on Sofa Frame. The assembly is completed.
PS. There are Four section for select as below shown. Thank you.



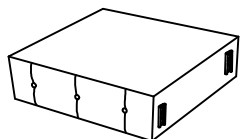
Cleaning & Care

Treat surface with care. Surface is resistant to scratches but is not scratch resistant.
Clean surfaces with a dry or damp soft cloth. Do not use abrasive cleaners.

ASSEMBLY INSTRUCTION

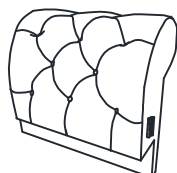
VELVET TUFTED CHAIR

A Seat Frame



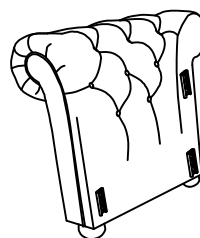
1pc

B Back Frame



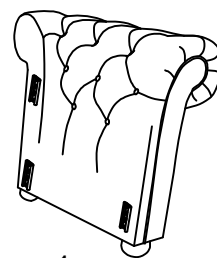
1pc

C Left Panel



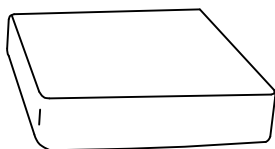
1pc

D Right Panel

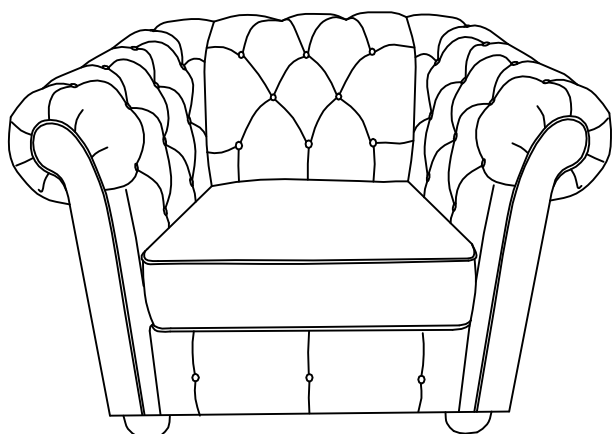


1pc

E Seat Cushion

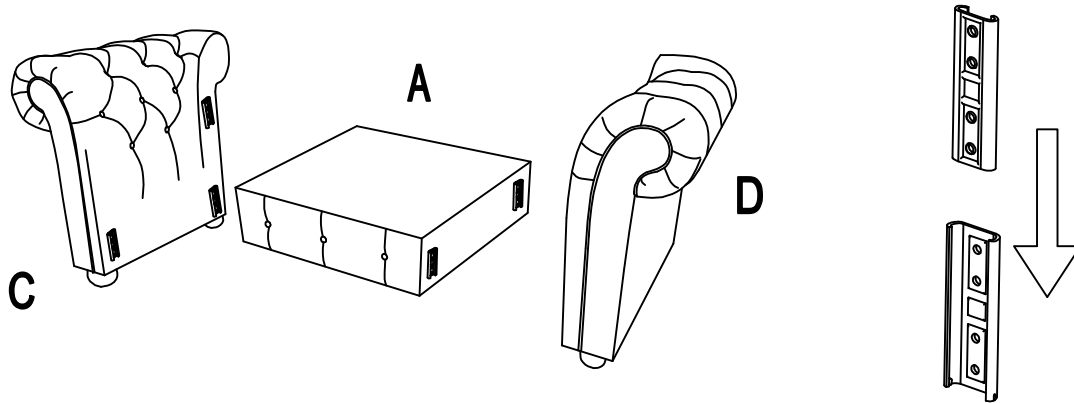


1pc

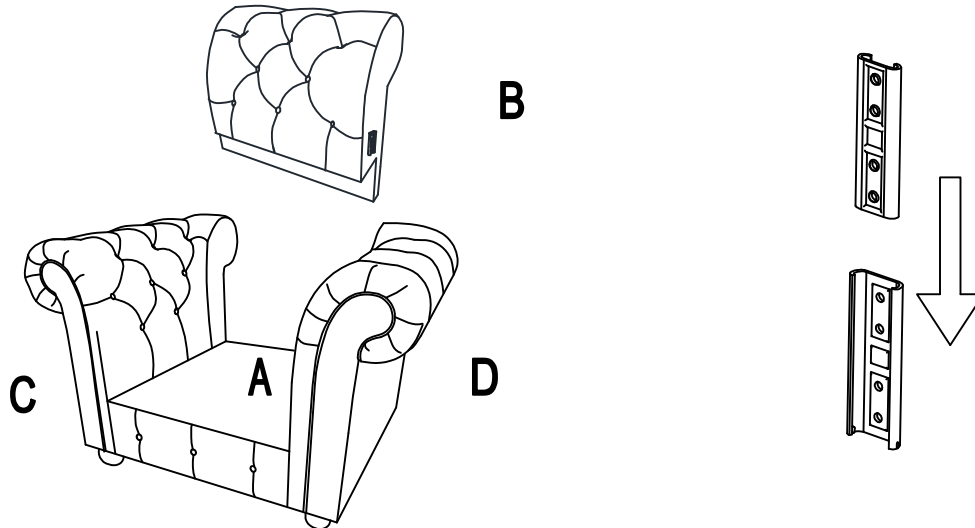


This page lists all the contents included in the box. As you unpack and prepare for assembly, place the contents on a carpeted or padded area to protect them from damage.

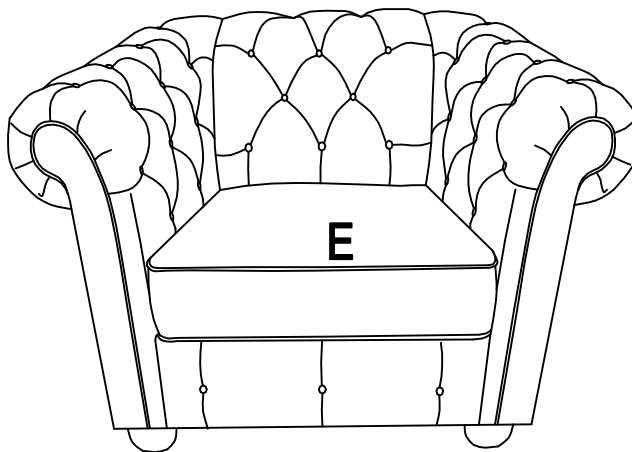
1 Hook on the Left Panel (C) & Right Panel (D) to Seat Frame (A) properly.



2 Hook on the Back Frame (B) to Left Panel (C) & Right Panel (D) properly.



3 Place Seat Cushion (E) on the chair properly. The assembly is complete.



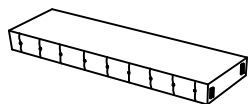
Cleaning & Care

Treat surface with care. Surface is resistant to scratches but is not scratch resistant. Clean surfaces with a dry or damp soft cloth. Do not use abrasive cleaners.

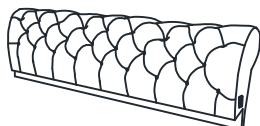
ASSEMBLY INSTRUCTION

VELVET TUFTED SOFA

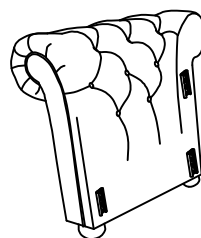
A Seat Frame **B** Back Frame **C** Left Panel **D** Right Panel



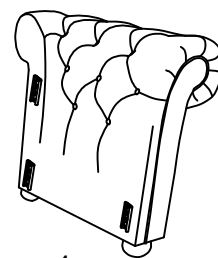
1pc



1pc

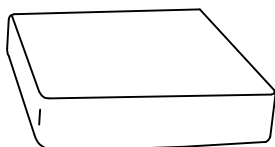


1pc

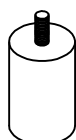


1pc

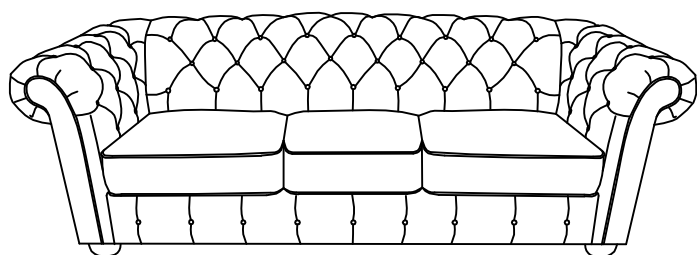
E Seat Cushion **F** Plastic Leg



3pcs

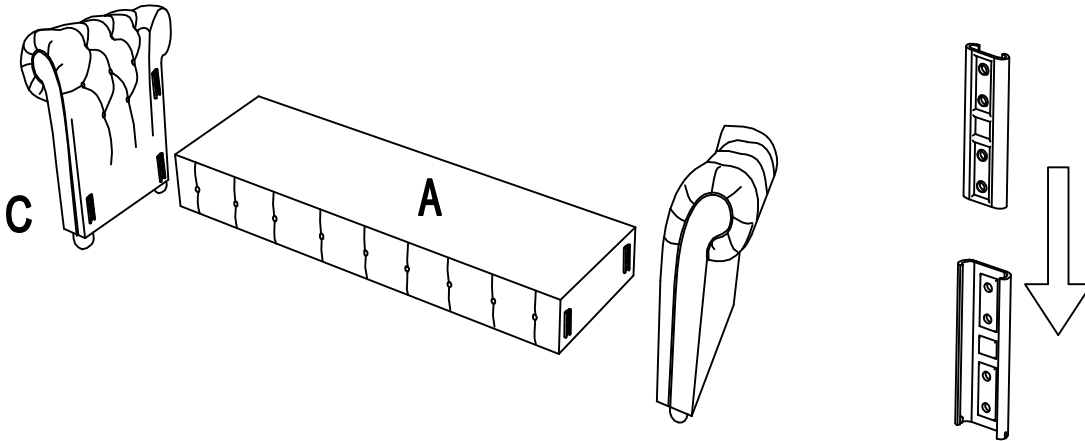


2pcs

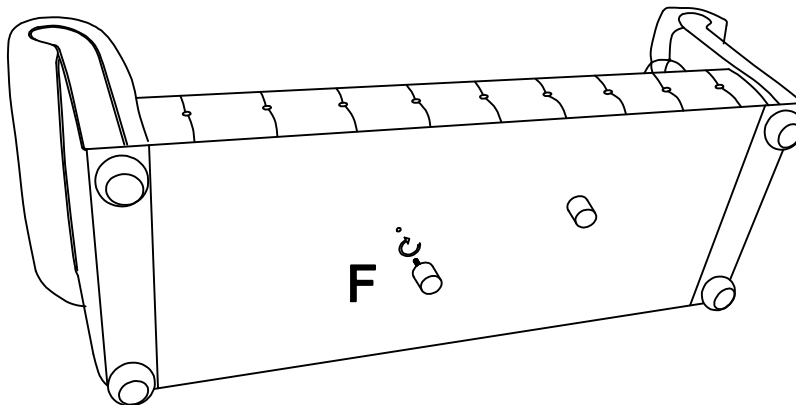


This page lists all the contents included in the box. As you unpack and prepare for assembly, place the contents on a carpeted or padded area to protect them from damage.

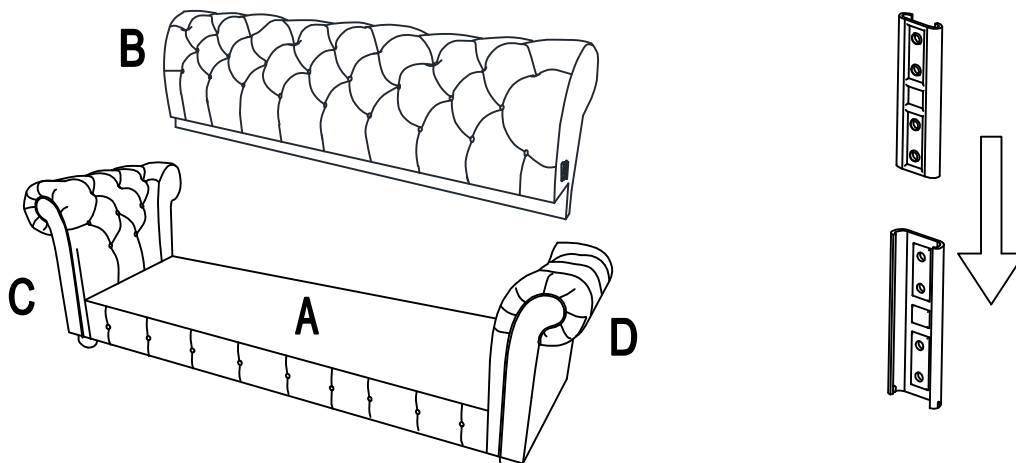
1 Hook on the Left Panel (C) & Right Panel (D) to Seat Frame (A) properly.



2 Assembly the Plastic Leg (F) at the bottom of Seat Frame (A) as picture showing.

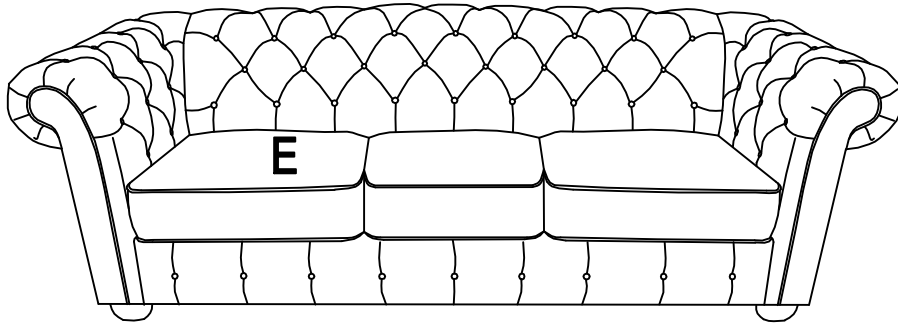


3 Hook on the Back Frame (B) to Left Panel (C) & Right Panel (D) properly.



4

Place Seat Cushion (E) on the chair properly. The assembly is complete.



Cleaning & Care

Treat surface with care. Surface is resistant to scratches but is not scratch resistant. Clean surfaces with a dry or damp soft cloth. Do not use abrasive cleaners.