

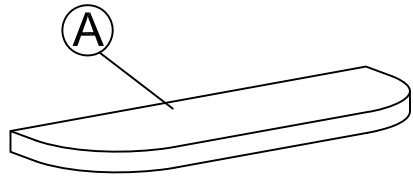
LYON CONSOLE TABLE

ASSEMBLY INSTRUCTIONS

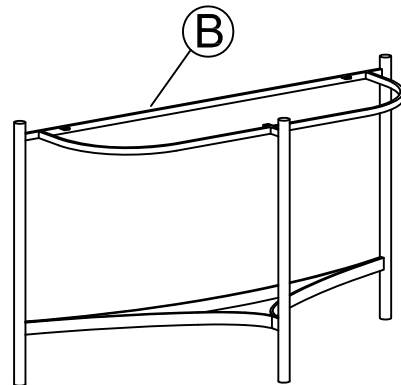


PARTS AND FITTING PACKAGING DETAIL

BOX #1
A. TABLE TOP 1 PC



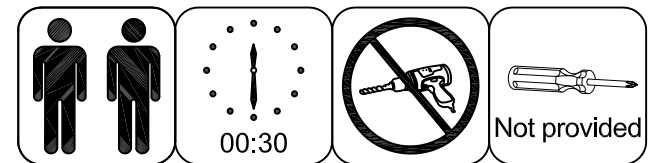
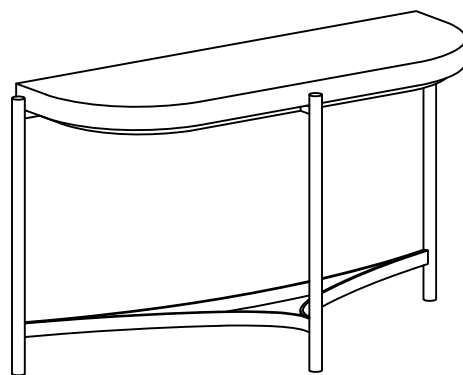
BOX #2
B. TABLE BASE 1PC



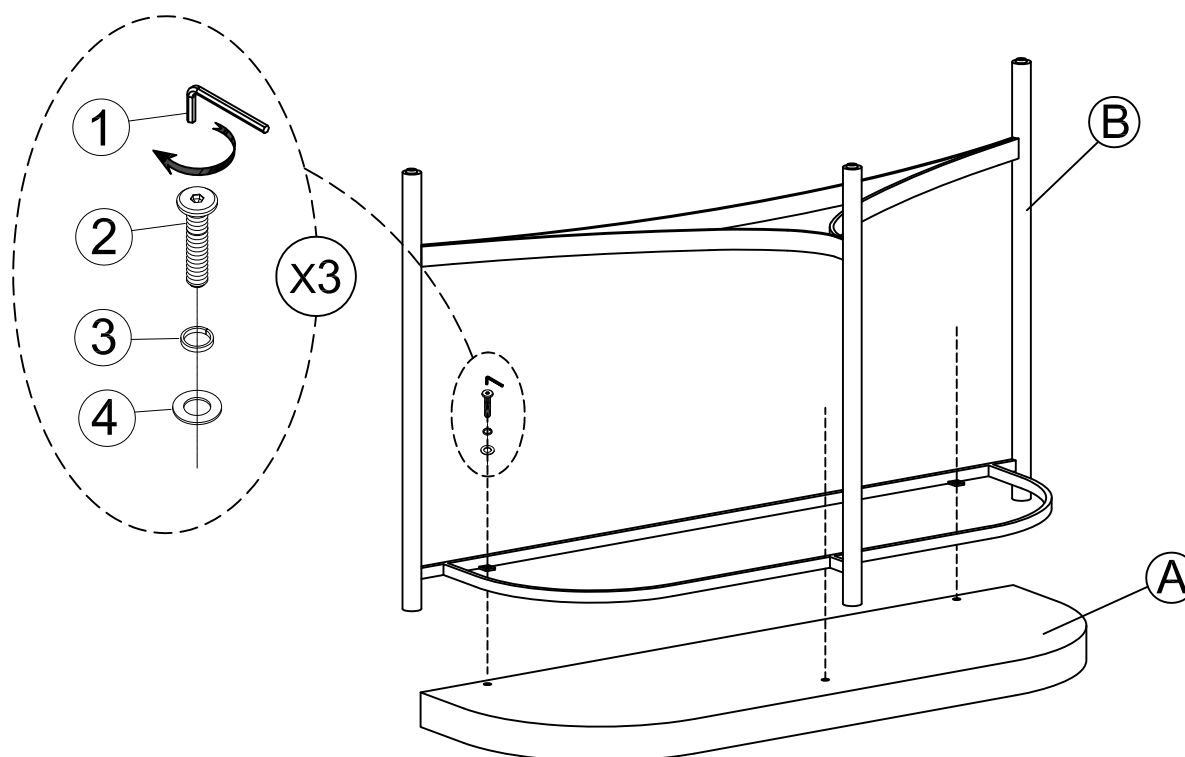
HARDWARE KIT PACKED IN BOX #2

| NO. | DESCRIPTION | IMAGE | QUANTITY |
|-----|--------------------------------|-------|----------|
| 1 | ALLEN KEY (4mm) | | 1 PC |
| 2 | ALLEN BOLT (8x30mm) | | 3 PCS |
| 3 | LOCK WASHER (M8) | | 3 PCS |
| 4 | FLAT WASHER (M8) | | 3 PCS |
| 5 | WALL ANCHOR (8x30mm) | | 2 PCS |
| 6 | SCREW (4x40mm) | | 2 PCS |
| 7 | BRACKET (2x14x26mm) | | 2 PCS |
| 8 | ANTI-TIPPING CABLE (260mm L) | | 2 PCS |

FULLY ASSEMBLED



STEP #1:

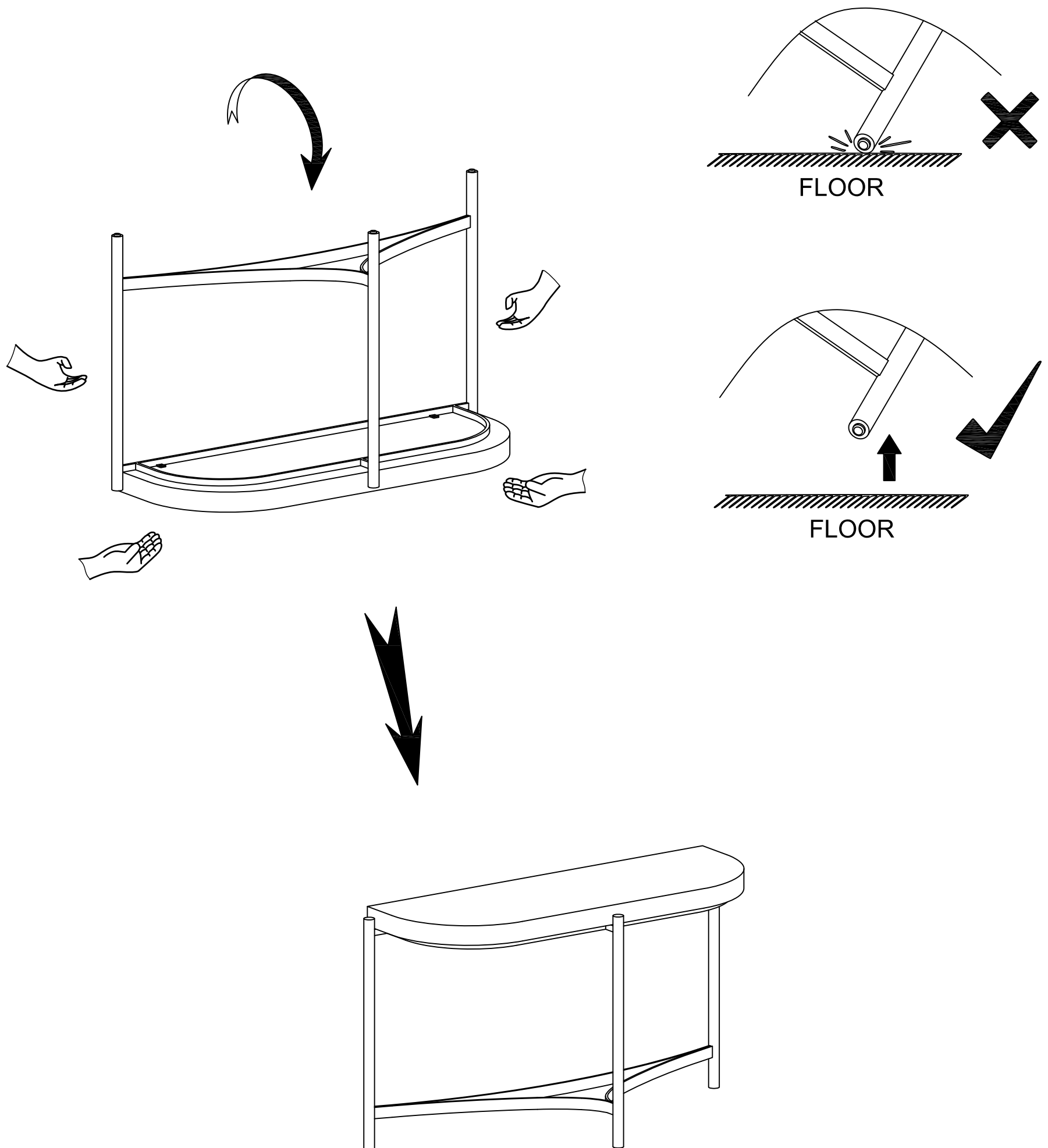


LYON CONSOLE TABLE

ASSEMBLY INSTRUCTIONS



STEP #2:

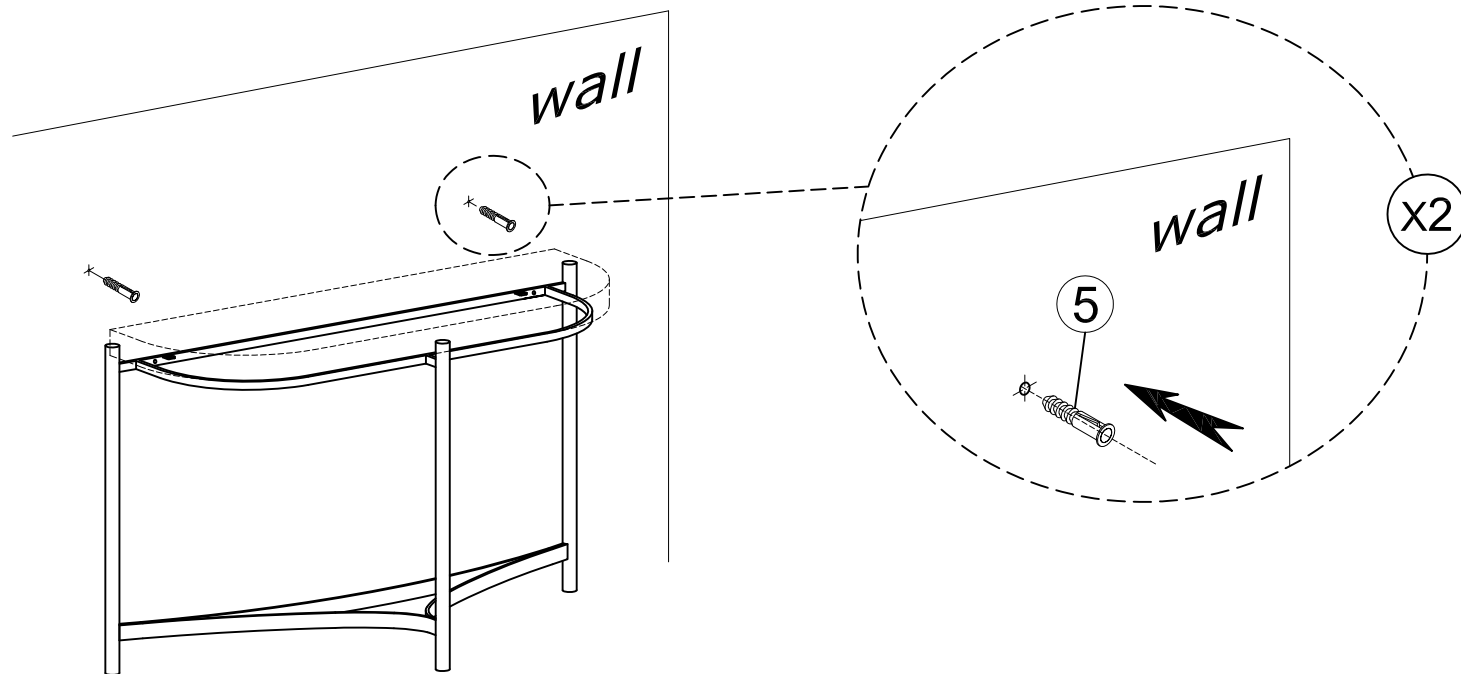


LYON CONSOLE TABLE

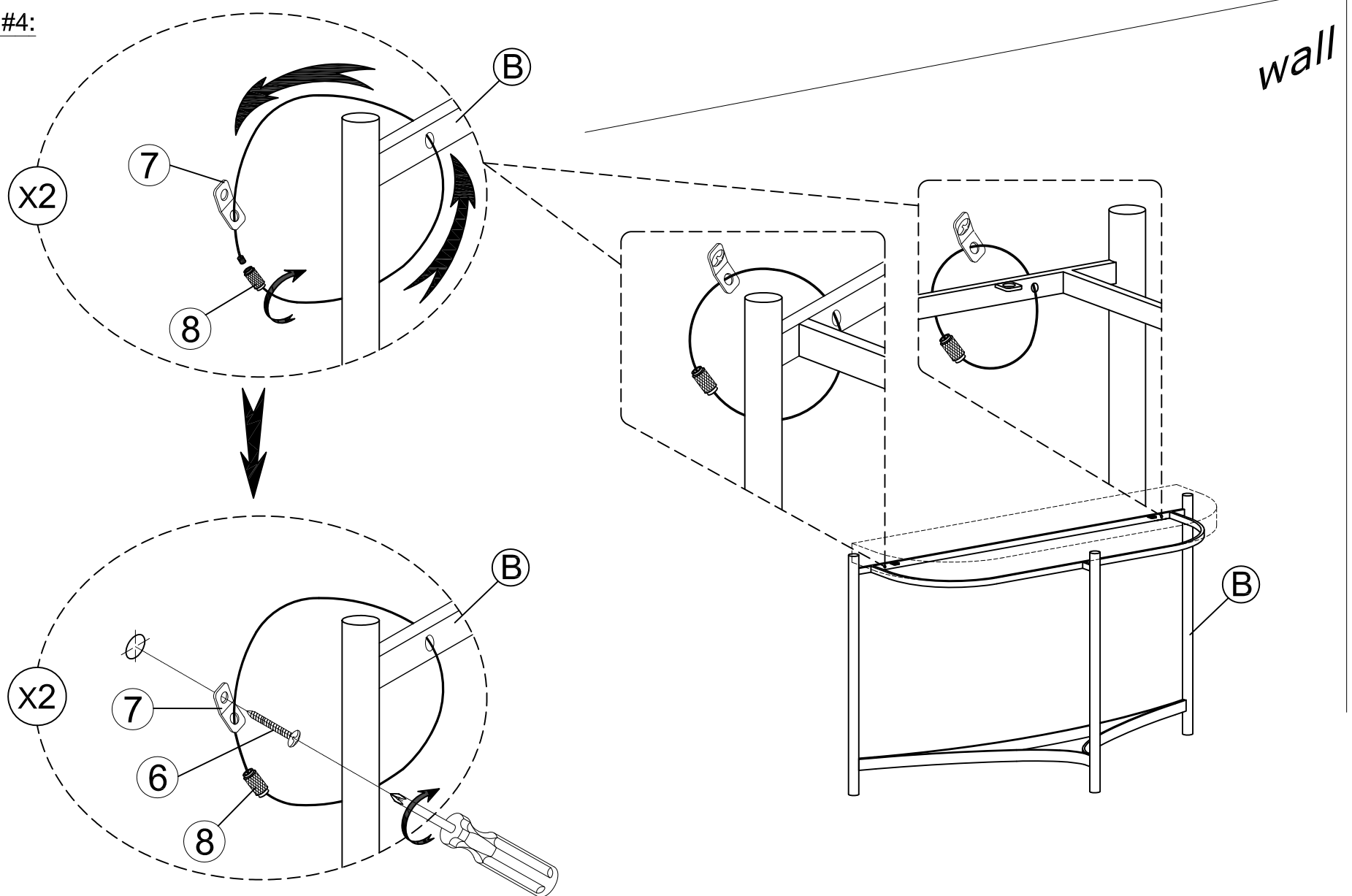
ASSEMBLY INSTRUCTIONS



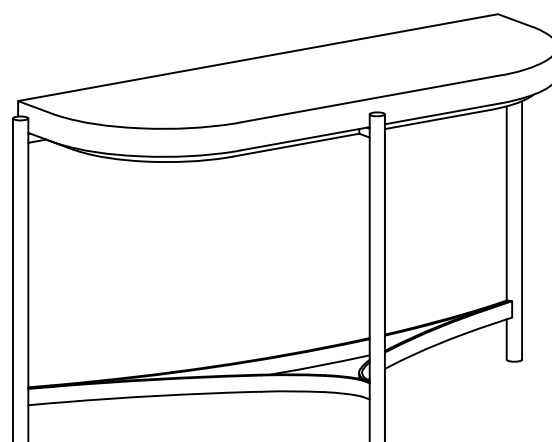
STEP #3



STEP #4:



STEP #5:



ASSEMBLY COMPLETE