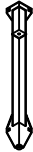
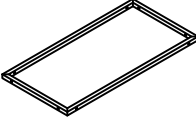
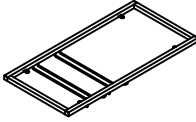
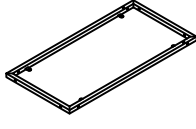
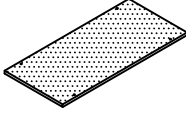
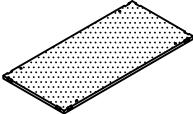
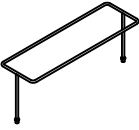


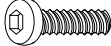





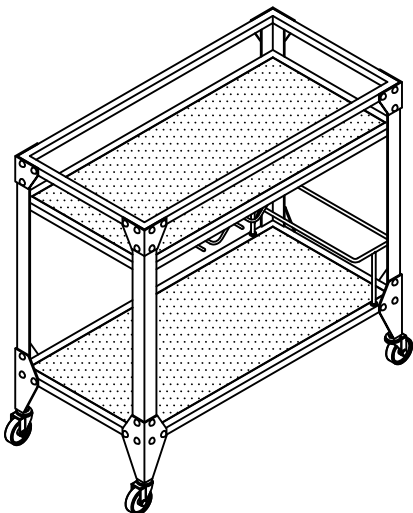


ASSEMBLY INSTRUCTION

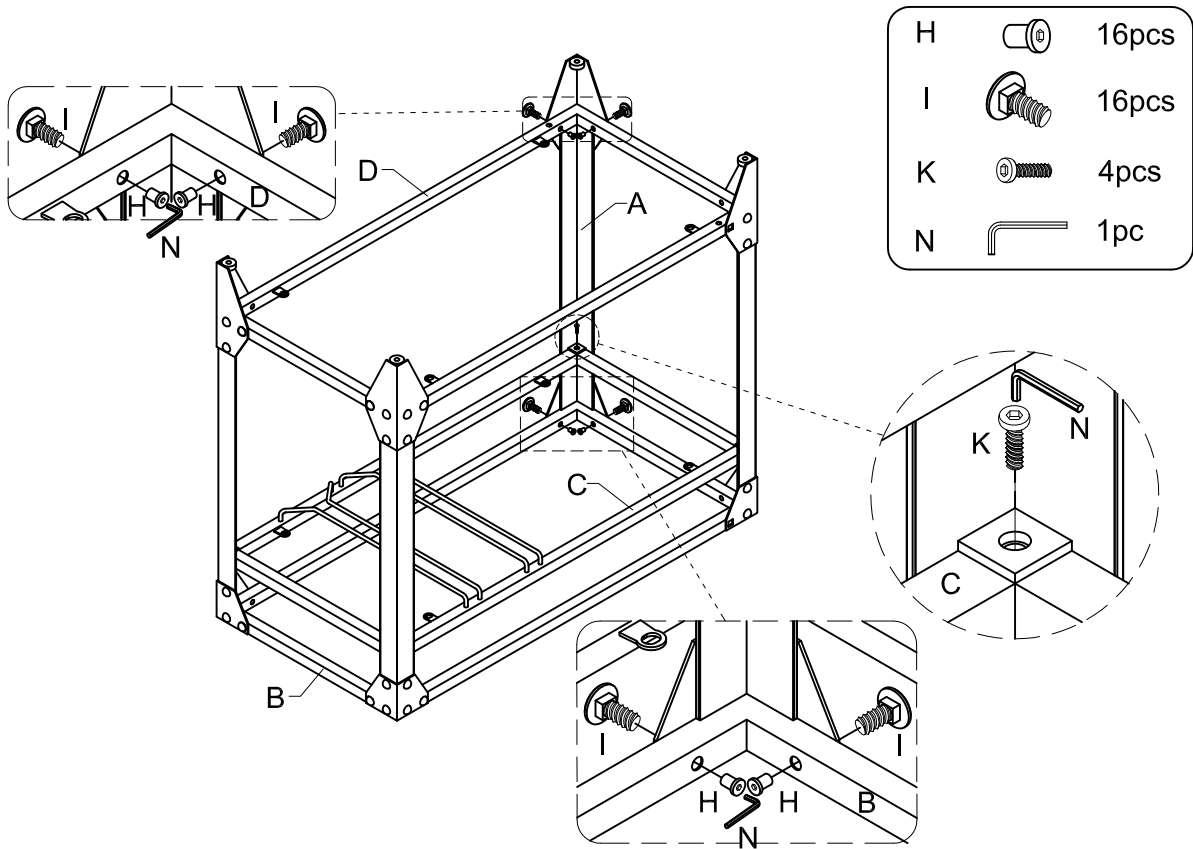
E623-07 METAL AND WOOD KITCHEN CART

A Leg  4pcs	B Top Frame  1pc	C Wine Glass Holder Frame  1pc	D Bottom Frame  1pc
E Top Panel  1pc	F Bottom Panel  1pc	G Wine Rack  1pc	H Nut 1/4"x16MM  16pcs
I Bolt 1/4"*5/8"mm  16pcs	J Bolt 1/4"*7/8"mm  2pcs	K Bolt 1/4"*1/2"mm  12pcs	L Wheel  4pcs
M Washer Ø13mm  4pcs	N Allen Wrench 4x4mm  1pc	O Open End Wrench 14mm  1pc	

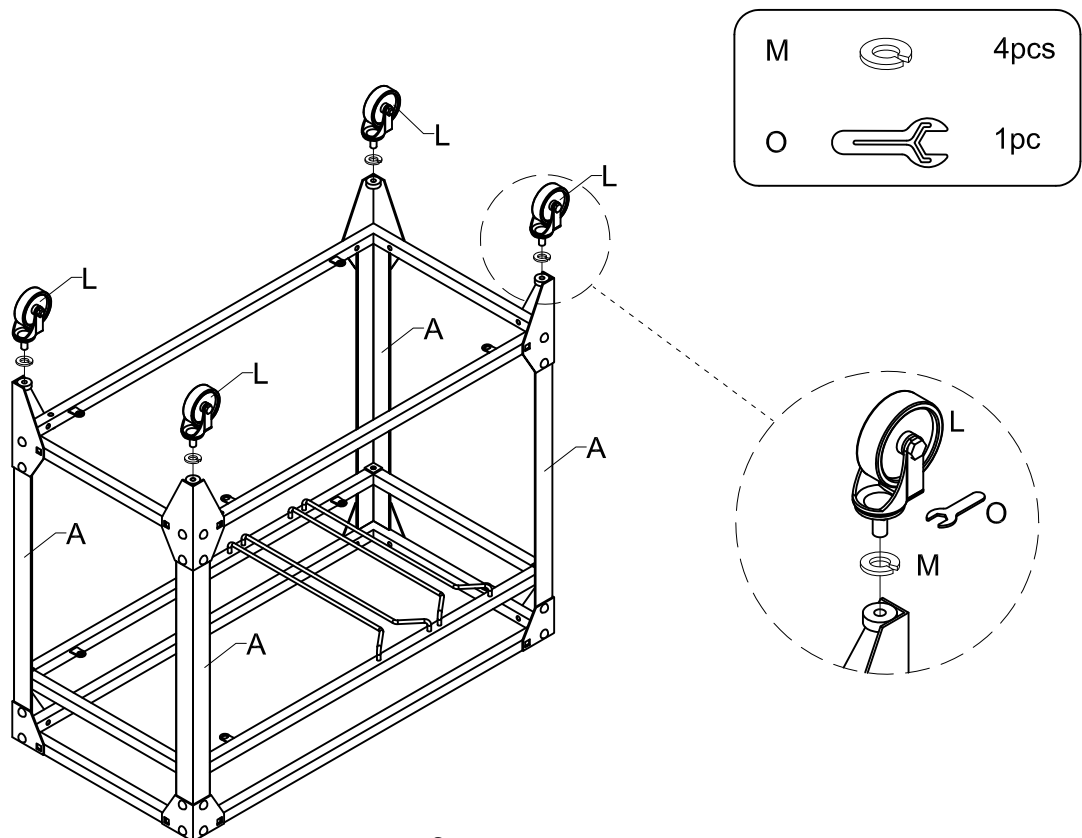


This page lists all the contents included in the box. Please take the time to identify the hardware as well as the individual components to this product. As you unpack and prepare for assembly, place the contents on a carpeted or padded area to protect them from damage.

1 Assemble leg (A) and top frame (B) as shown in drawing with bolt (I) and nut (H), fastening it up by use of allen wrench (N). Then install wine glass holder frame (C) and bottom frame (D) into place with bolt (K) and bolt (I) with nut (H) on the ear tab in the corners.

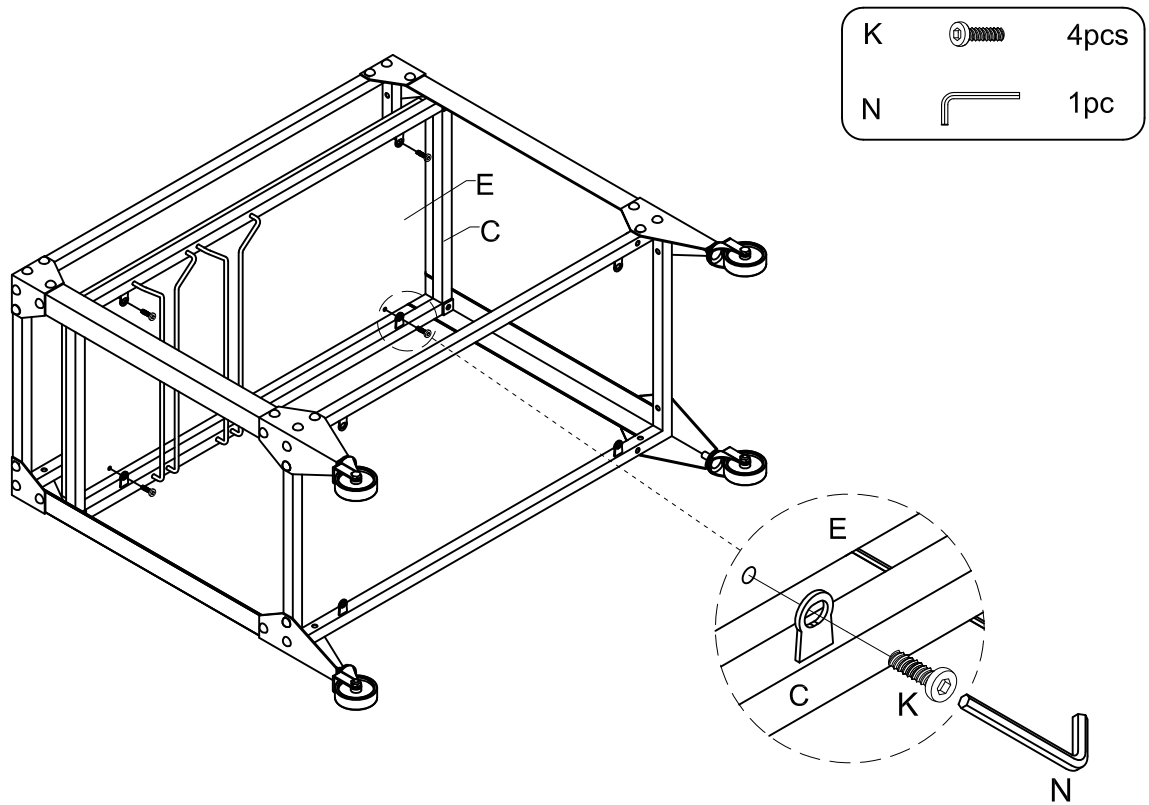


2 Install wheel (L) in the bottom of leg (A) as shown in drawing with washer (M) then tighten by open end wrench (O).

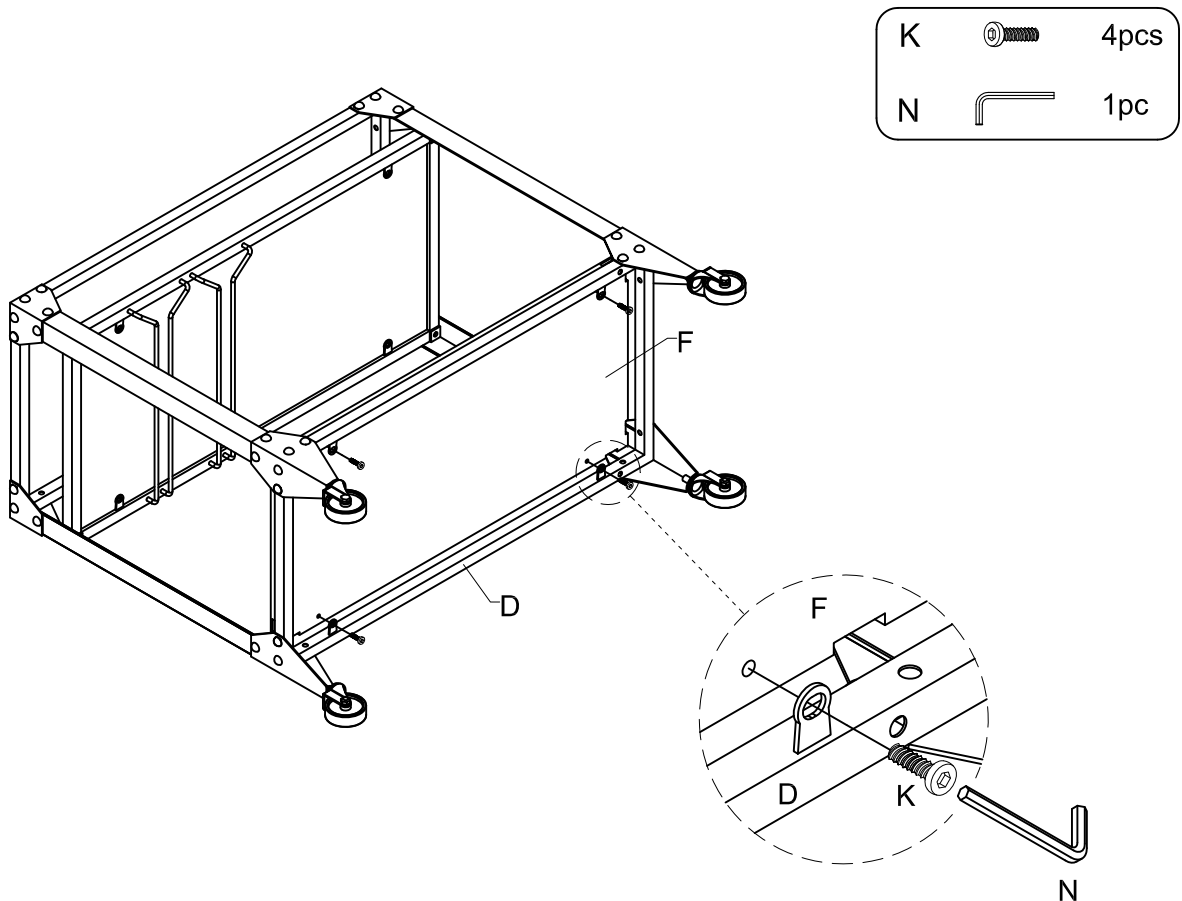


3

Assemble top panel (E) to wine glass holder frame (C) respectively with bolt (K) as shown in drawing. Then tighten up with allen wrench (N).



**4**

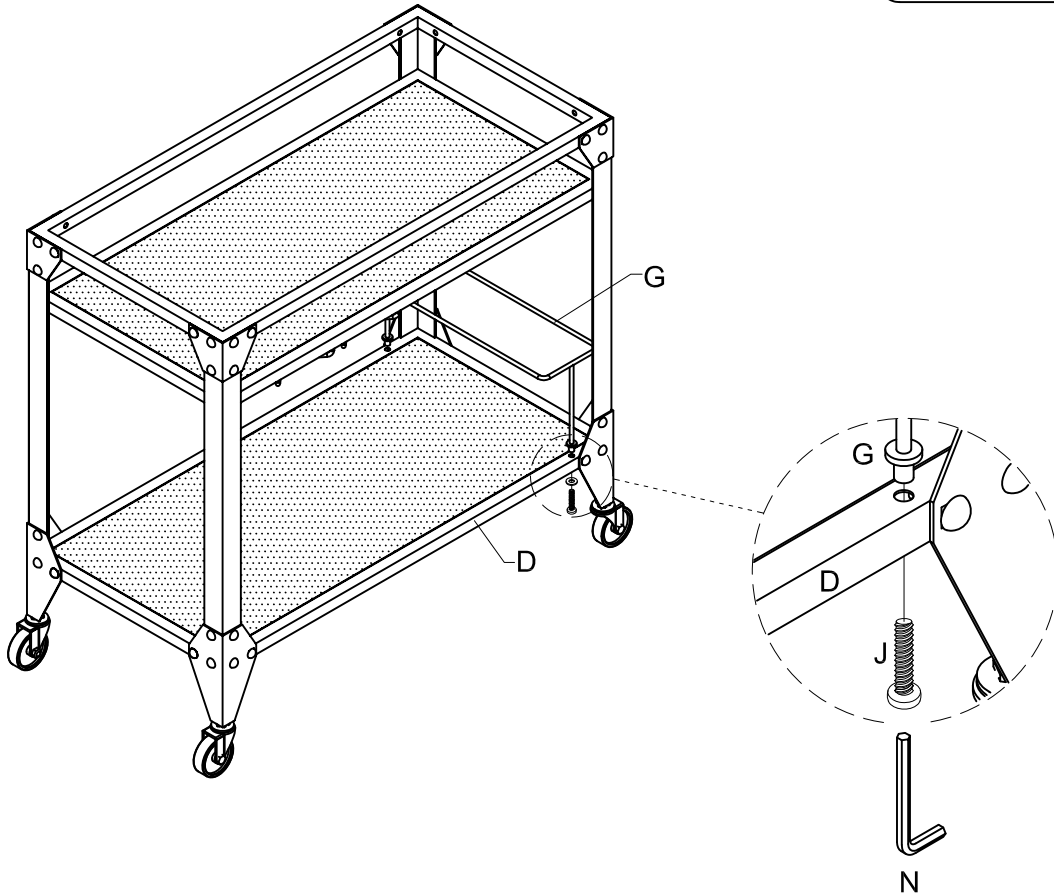
Assemble bottom panel (F) to bottom frame (D) respectively with bolt (K) as shown in drawing. Then tighten up with allen wrench (N).



5

Upright the bar cart and install wine rack (G) on the bottom frame (D) with bolt (J) and fasten up with allen wrench (N).

J		2pcs
N		1pc



Cleaning & Care

Treat surface with care. Surface is resistant to scratches but is not scratch resistant. Clean surfaces with a dry or damp soft cloth. Do not use abrasive cleaners. Hardware may loosen over time. Periodically check that all connections are tight.