

# 12201-LED-ICAT

2" LED New Construction Air Tight Housing

Project \_\_\_\_\_

Catalog \_\_\_\_\_

Type \_\_\_\_\_

Date \_\_\_\_\_

## Product Description

The 12201-LED features IDEAL connections that allows for quick, snap-in connection of NICOR® 2" D-series LED downlights. Suitable for new construction in residential and commercial applications.

### Housing

- Galvanized steel plaster frame with J-Box and captive hanger bars
- Triac dimmable LED driver is mounted directly to housing
- Only compatible with NICOR's 2" LED downlights: Available in round smooth, round baffle, square smooth, square baffle, adjustable gimbal and adjustable square
- 3 1/2" height allows use in 2" x 6" joist construction

### Plaster Frame

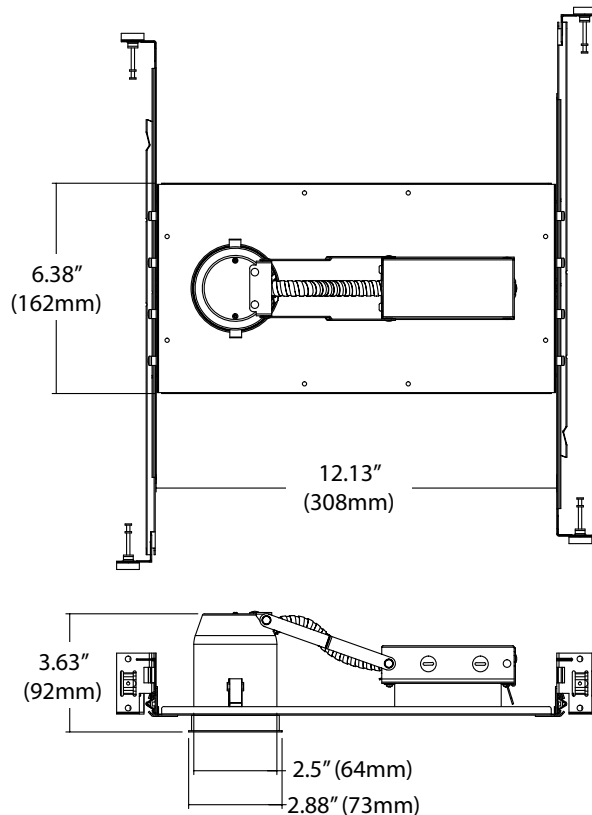
- Adjustable hanger bar brackets allow for orientation either direction

### Junction Box

- Two 3/8" knockouts
- Supplied with three push-in wire connectors
- Listed for through branch circuit wiring

### Hanger Bars

- Heavy-gauge NICOR captive hanger bars provide greater stability, allowing housing to be positioned at any point within a 24" joist span
- Unique hanger bar lip design helps align can to joist
- Four double-headed captive nails provide for ease of installation
- Score lines allow bars to be shortened without tools to accommodate a 12" joist span



## Ordering Information

Example: 12201-LED-ICAT

Series	Description
12201-LED-ICAT	2" LED New Construction Air Tight Housing

Specifications and dimensions subject to change without notice.

