



Assembly & Installation Instructions

CAUTION: Read instructions carefully and turn electricity off at main circuit breaker panel before beginning installation.

4632, 4635, 4638, 4739

WARNING - If any Special Control Devices are used with this Fixture, Follow the Instructions Carefully to assure full compliance with N.E.C. requirements. If there are any questions, contact a Qualified Electrical Contractor.

CAUTION - All glass is fragile, use care when handling Glass component(s) and or Lamp(s).

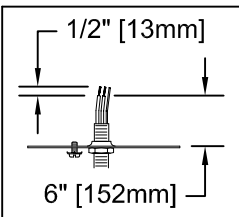
WARNING - This product contains chemicals known to the State of California to cause cancer, birth defects and /or other reproductive harm. Thoroughly wash hands after installing, handling, cleaning, or otherwise touching this product.

ASSEMBLY STEPS:

PASOS PARA ENSAMBLAR:

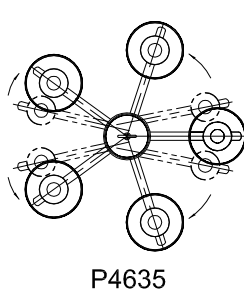
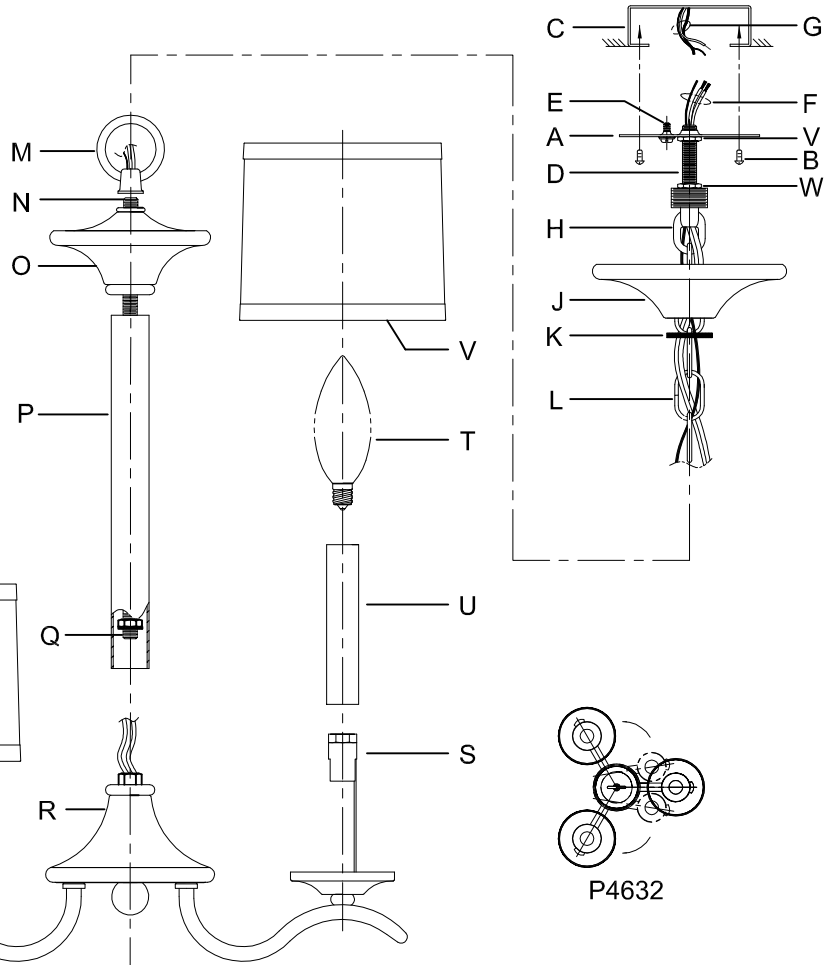
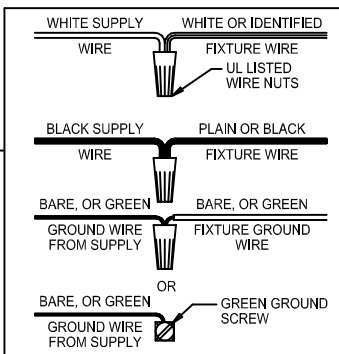
MODE D'ASSEMBLAGE:

1. D,E → A
2. B,A → C
3. V,W,H → D (To Lock) (APRETAR) (À VERROUILLER)
4. W → H
5. L → M
6. K,J → L
7. L → H
8. F → L,J,K,H,D
9. F → G
10. J,K → H
11. M,O → N
12. O,P,R → Q
13. T,U → S
14. V → T

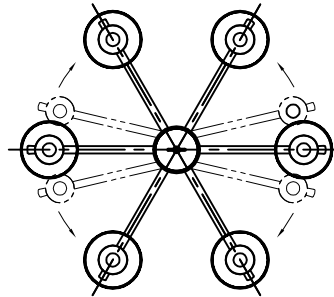


**B, C, G & T
(NOT FURNISHED)
(NO INCLUIDA)
(NON FOURNIE)**

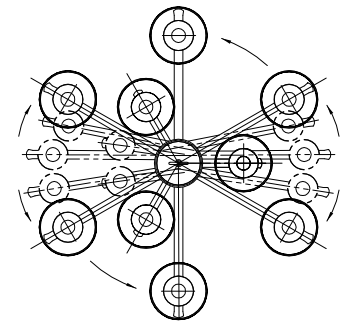
Adjust height with "D"
V → A (To Lock)
AJUSTA LA ALTURA CON "D"
V → A (APRETAR)
RÉGLEZ LA HAUTEUR AVEC "D"
V → A (À VERROUILLER)



P4635



P4739



P4638

DIAGRAM A
DIAGRAMA A
DIAGRAMME A

- Adjust Arms, if required, as shown in diagram A.
- Ajuste los brazos, como necesario, según el diagrama A.
- Ajustez les branches, comme nécessaire, selon le diagramme A.