

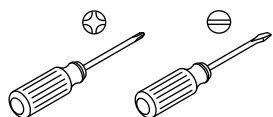
Installation Guide

Wall-Mount Lavatory Faucets

THE BOLD LOOK
OF **KOHLER**®

1405439-2-A

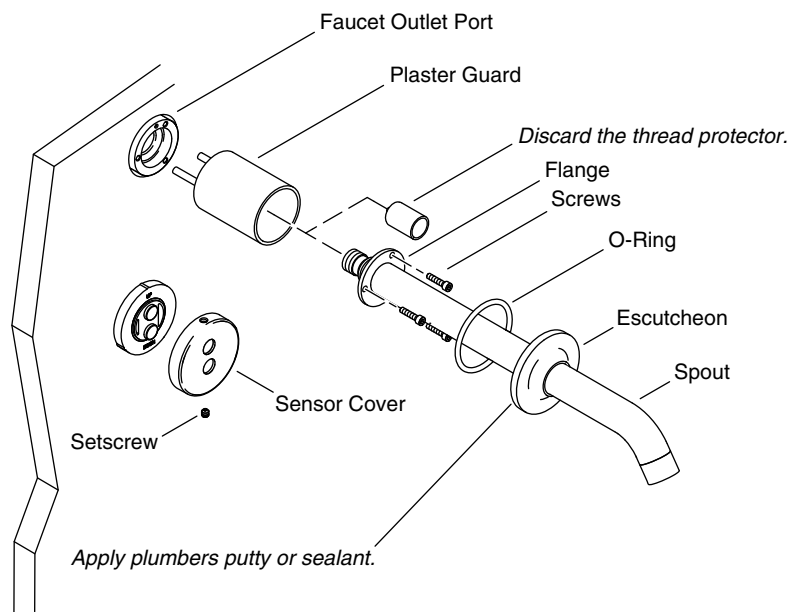
Tools and Materials



Plumbers Putty

Before You Begin

- Follow all local plumbing and building codes.
- Shut off the main water supply.



1. Install the Spout

IMPORTANT! Use care when installing the spout to avoid scratching the finish.

- Remove the plaster guard and save the three screws for future use.
- Remove and discard the thread protector.
- Thread the spout into the outlet port.
- Secure the flange to the wall with the screws (wrench supplied) that were removed from the plaster guard.
- Confirm that the O-ring is in the notch in the interior of the spout escutcheon.
- Apply plumbers putty or other sealant to the back surface of the spout escutcheon according to the putty manufacturer's instructions.
- Press the escutcheon firmly against the wall.

Install the Sensor Cover

Install the Spout (cont.)

- Turn the setscrew (already installed in the sensor) counterclockwise until it is tight. Do not overtighten.
- Position the sensor cover and secure with the setscrew. Do not overtighten.

Warranty

Need help? Contact the Customer Care Center at 1-800-456-4537.

For care and cleaning and other information visit kohler.com/clean

This product is covered under the KOHLER® Warranty: **Faucet Lifetime Limited Warranty.**

For a hardcopy of warranty terms, contact the Customer Care Center.

USA/Canada: 1-800-4KOHLER (1-800-456-4537)

Mexico: 001-800-456-4537

us.kohler.com/warranty