

# SONANCE

## PROFESSIONAL SERIES PS-C85RT C-BRACKET | TILE BRIDGE QUICKSTART GUIDE

### FOR USE WITH PS-C85RT LOUDSPEAKERS.

The C-bracket and tile support rails should be used in all suspended ceiling installations. The C-bracket and tile support rails can also be used in installations when the speakers are mounted into material that will not support their weight.

### BOX CONTENTS

- (1) C Bracket
- (1) Tile Bridge

### INSTALLATION

1. Insert the two tile support rails and C-bracket through the hole you have cut, placing them as shown. Using the two screws that are supplied, screw the C-bracket to the tiles support rails (see Figure 1).

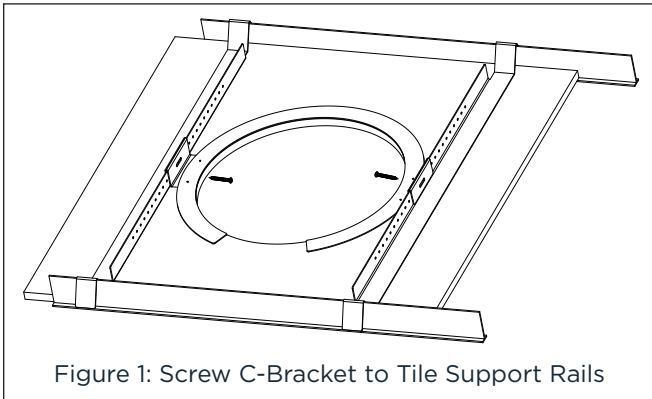


Figure 1: Screw C-Bracket to Tile Support Rails

**SAFETY PRECAUTION: Attaching the seismic tab to a support line is highly recommended for additional safety.**

2. After the C-bracket and tile support rails are installed, follow Steps 2-8 in the PS-C85RT Installation Manual (included with the PS-C85RT).

**Note: The tile support rails and C-bracket themselves are not sufficient to carry the load of the product. It is used to prevent tile sag. Additional support is required by using seismic tethers to structure in accordance with local building codes.**

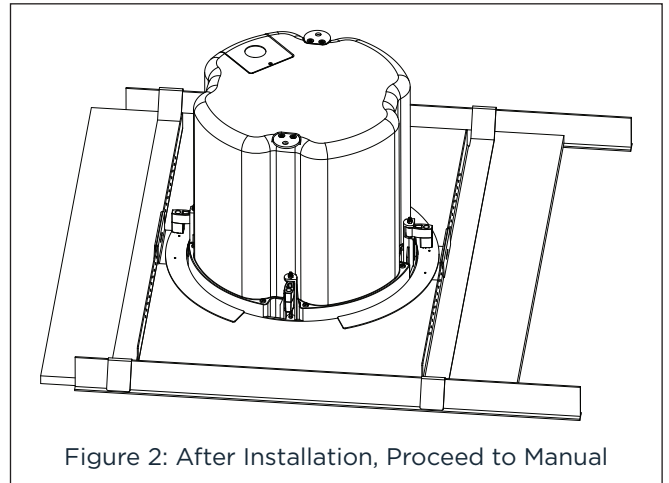


Figure 2: After Installation, Proceed to Manual