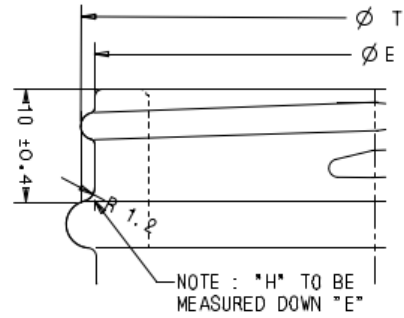
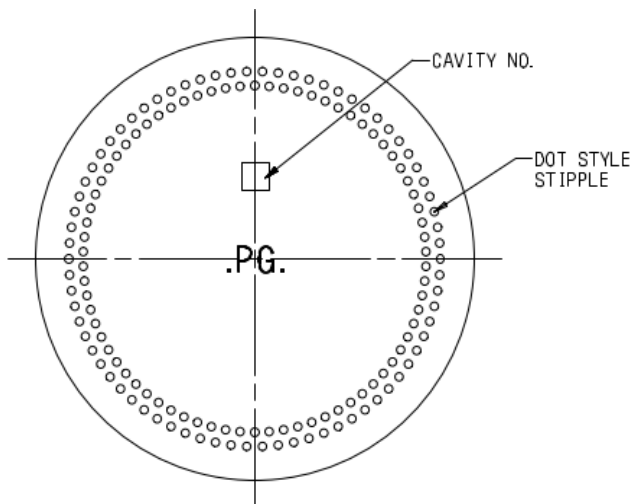


DEPRESSED THD @ SEAMS
HELIX ANGLE 1° 31"

NOTE :
"H" TO BE MEASURED DOWN "E"



FINISH DETAILS
SCALE : 3: 1



	TYPE & COLOUR	THROUGH BORE (min)	
	III & AMBER	40.0	
OFC. (ml)		WEIGHT (g)	NECK FINISH
533.37 ± 7.4		270 (APPX)	GPI-400-53-405 NR. REF. NO. : ----

DISTRIBUTED BY:	REF NO.:
	DWG30240

DESCRIPTION:	500 mL Glass Wide Mouth Jar 53-400
--------------	------------------------------------

DISCLAIMER

THIS INFORMATION IS PROVIDED AS A GENERAL GUIDE, INCLUDING DIMENSIONS. IT IS THE CUSTOMER'S RESPONSIBILITIES TO SELECT THE PROPER CONTAINER FOR PRODUCT AND APPLICATION COMPATIBILITY.