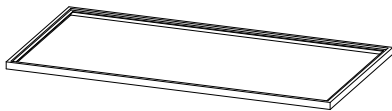


# ASSEMBLY INSTRUCTIONS

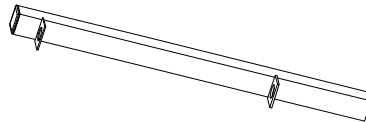
## CLEAR TEMPERED GLASS TOP & GEOMETRIC MARBLE PATTERN BOTTOM COFFEE TABLE

**A** Top Frame



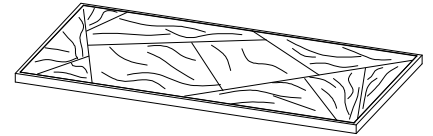
1pc

**B** Leg



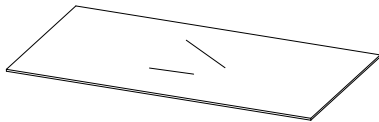
8pcs

**C** Marble Pattern Bottom



1pc

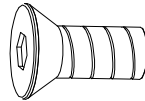
**D** Glass Top



1pc

**E** Bolt

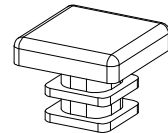
1/4" x 1/2"



16pcs

**F** End Cap

13 x 13mm



8pcs

**G** Glass Pad

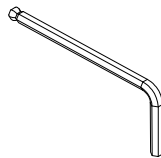
10 x 1mm



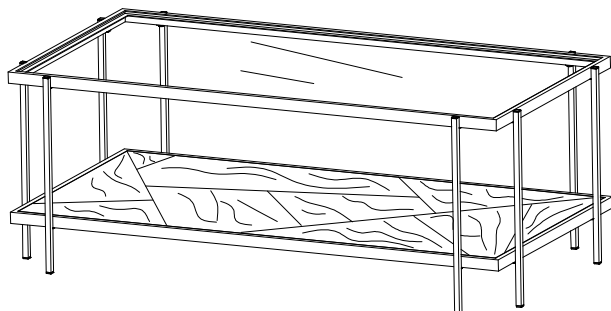
6pcs

**H** Allen Wrench

1/4"



1pc



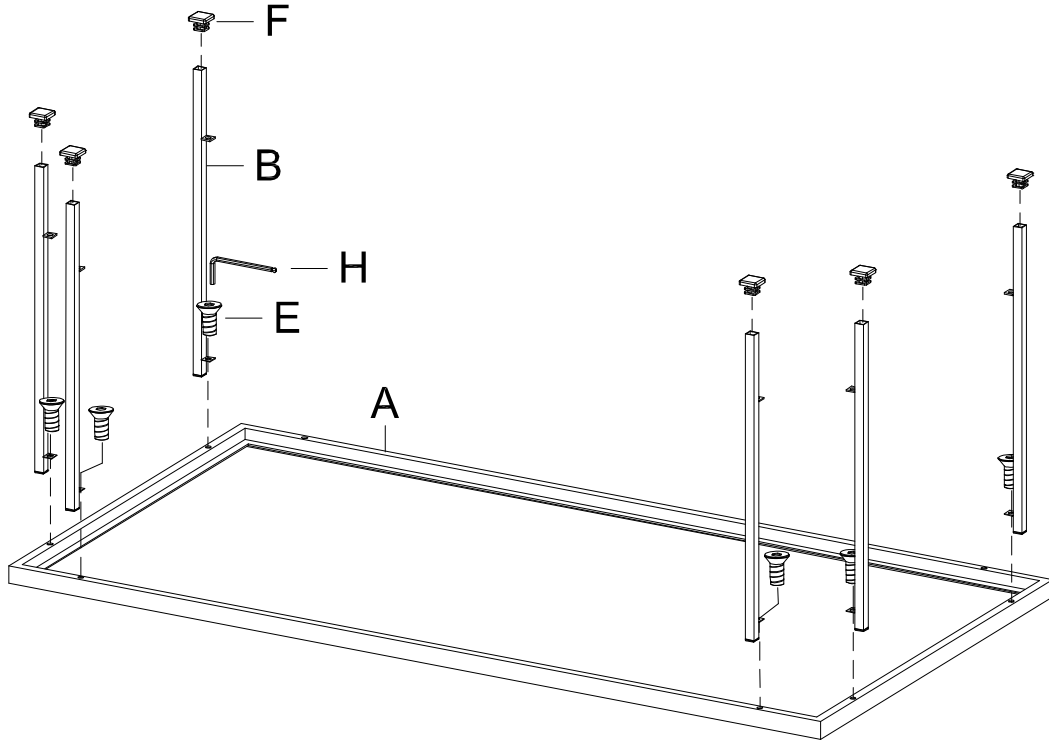
This page lists all the contents included in the box. Please take the time to identify the hardware as well as the individual components to this product. As you unpack and prepare for assembly, place the contents on a carpeted or padded area to protect them from damage.

**\*\*\* Do not tighten screws & bolts until the entire unit is completely assembled.**

**1**

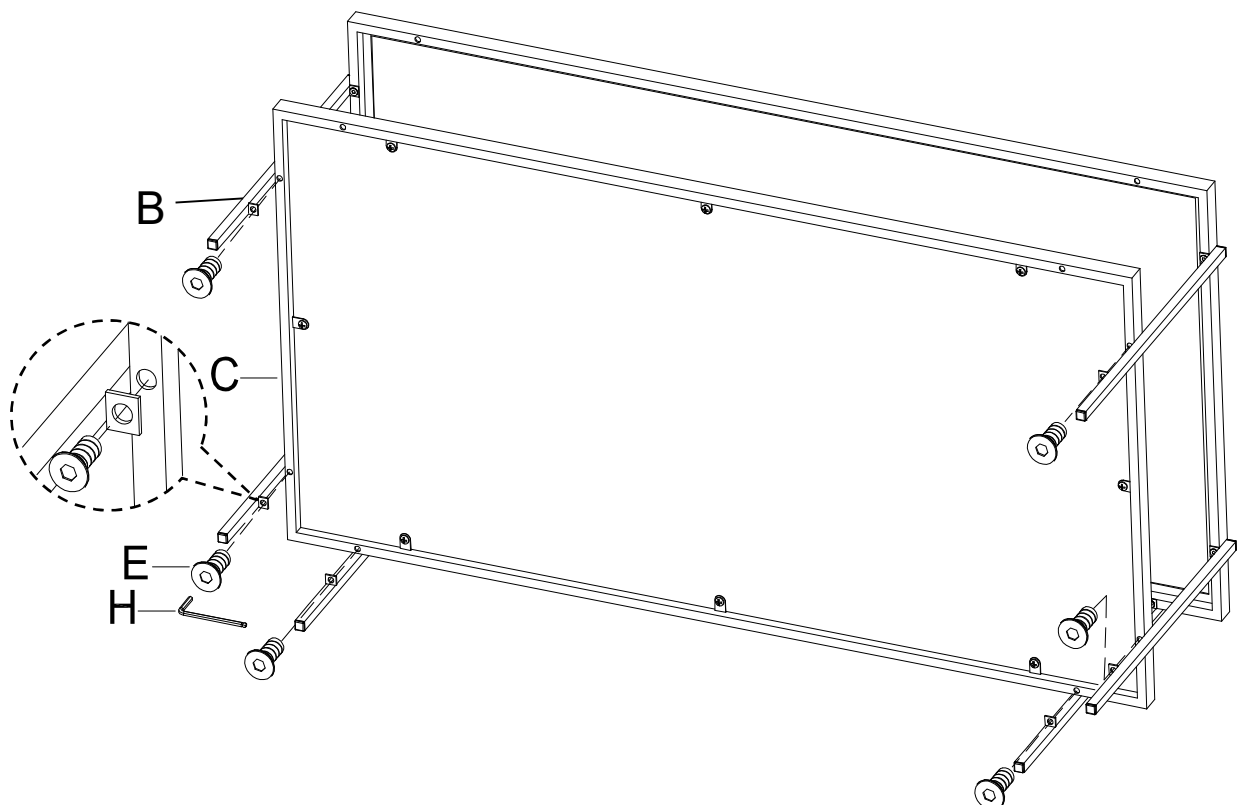
Attach each Leg (B) to the Top Frame (A) using Bolt (E) with the Allen Wrench (H). Next, insert End Cap (F) into each Leg (B).

\*\* Please save 2pcs of Leg (B) for Step 3.



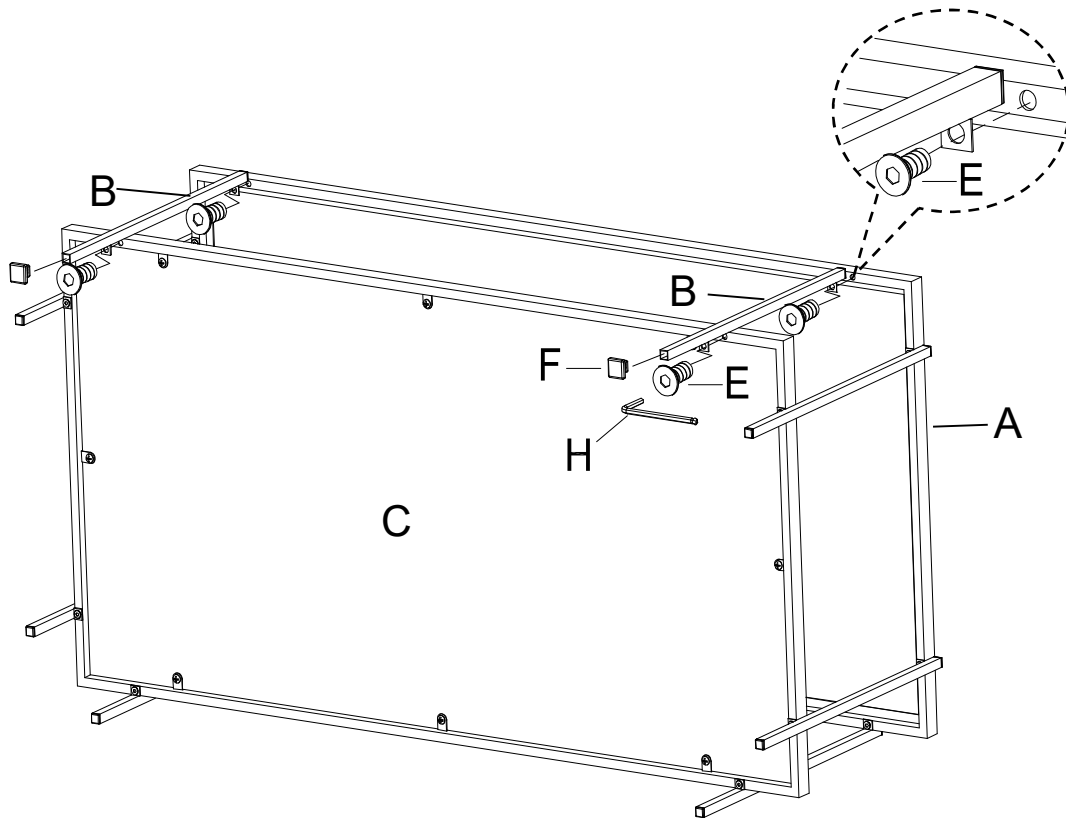
**2**

Attach the Marble Pattern Bottom (C) to the Leg (B) using Bolt (E) with the Allen Wrench (H).

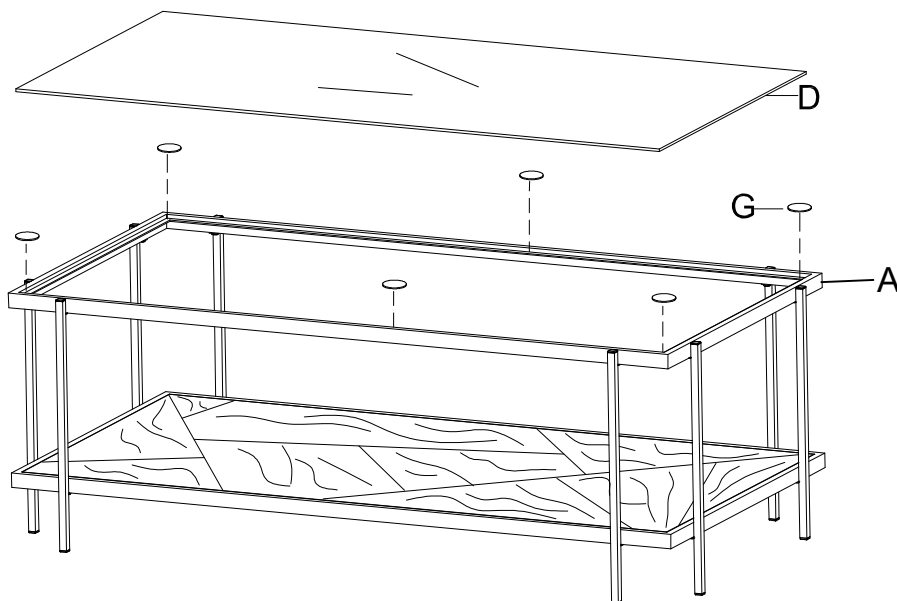


**3**

Attach the remaining 2pcs of Leg (B) to the Top Frame (A) and the Marble Pattern Bottom (C) using Bolt (E) with the Allen Wrench (H). Next, insert End Cap (F) into each Leg (B).

**4**

Stand the table upright. Place Glass Pad (G) on the Top Frame (A), then carefully place the Glass Top (D) on top.



### Cleaning & Care

Treat surfaces with care. Surfaces are resistant to scratches but are not scratch resistant. Clean surfaces with a dry or damp soft cloth. Do not use abrasive cleaners. Hardware may loosen over time. Periodically check that all connections are tight.