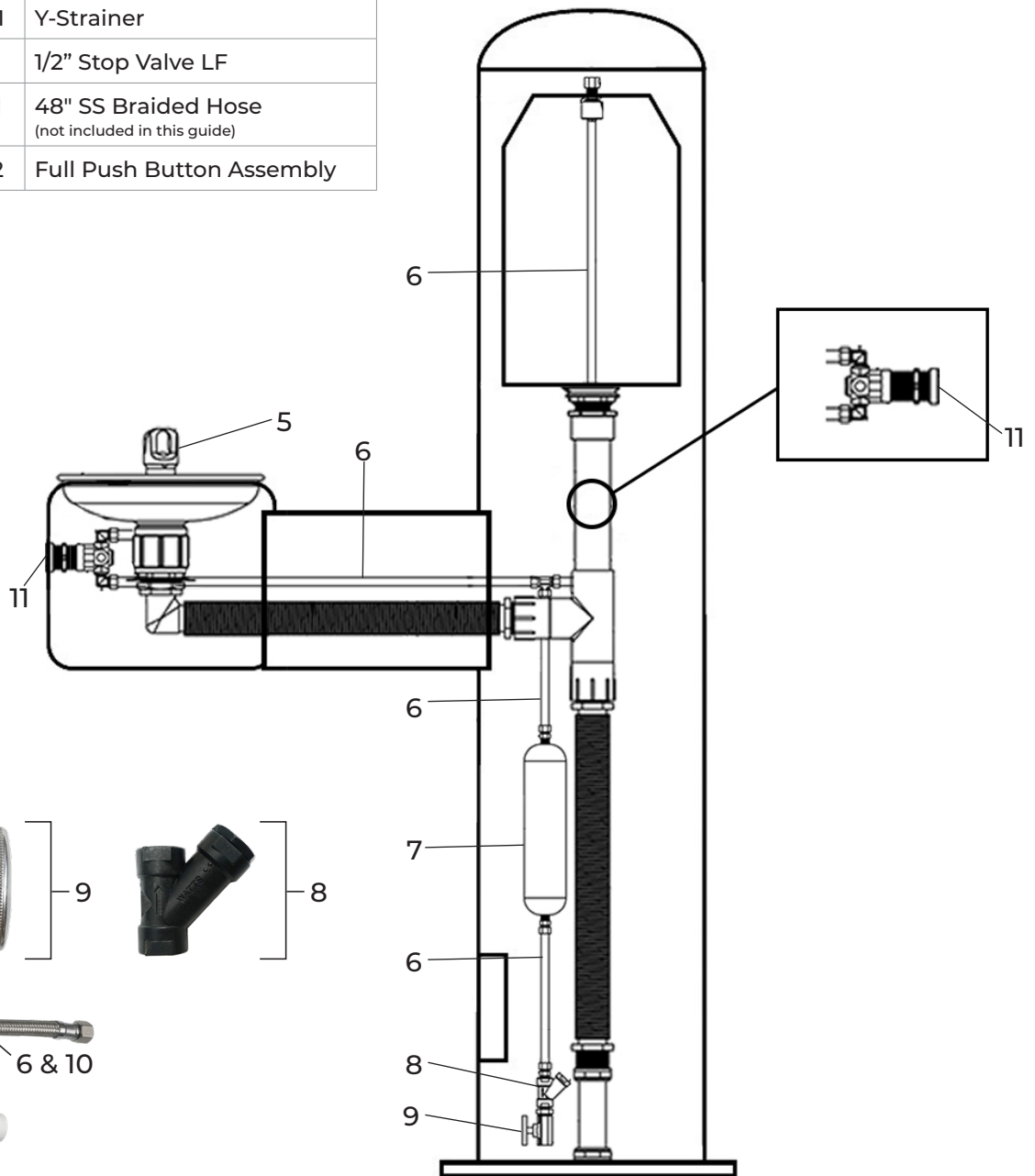
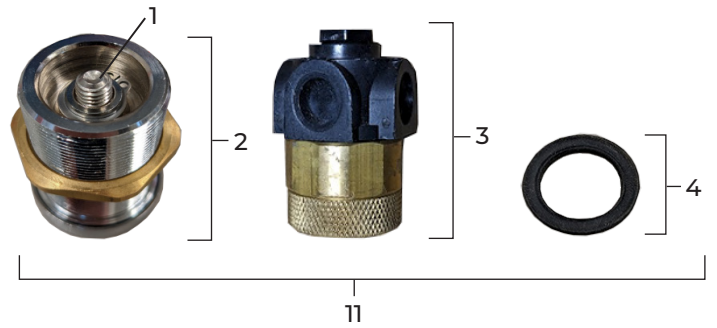


DRINKING FOUNTAINS QUICK REFERENCE PARTS GUIDE



ID	Old Part #	New Part #	Description
1	2319	S313-0011	Set Screw
2	2317	S319-0001	CP Push Button, w/ Brass Nut
3	2316	S399-0002	Fluid Pressure Regulator
4	4-P	S337-0053	Rubber Washer
5	3015	S231-0212	Shield Head Bubbler
6	2457	S231-0196	12" SS Braided Hose
7	2440	S231-0251	In-Line Water Filter
8	2377	S337-0041	Y-Strainer
9	2010	S231-0221	1/2" Stop Valve LF
10	2469	S231-0201	48" SS Braided Hose (not included in this guide)
11	2320	S231-0262	Full Push Button Assembly



SHOWER TOWER/ FROST PROOF QUICK REFERENCE PARTS GUIDE



ID	Old Part #	New Part #	Description
1	2192	S231-0175	Air Valve Push Button Regulator
2	2378	S399-0004	Stop/Check w/ strainer
3	2199	S231-0176	FP Push Button Diaphragm
4	2306	S322-0004	CP Escutcheon for FP Push Button
5	1141	S317-0001	1-1/4" PVC Spacer
6	2307	S231-0247	SS 1 1/2" Long Push Button
7	2056	S322-0002	1-1/4" x 3/4" Reducing Washer
8	2055	S399-0002	3/4" Electrical Nut
9	2199-A	S231-0275	Push Button Assembly

