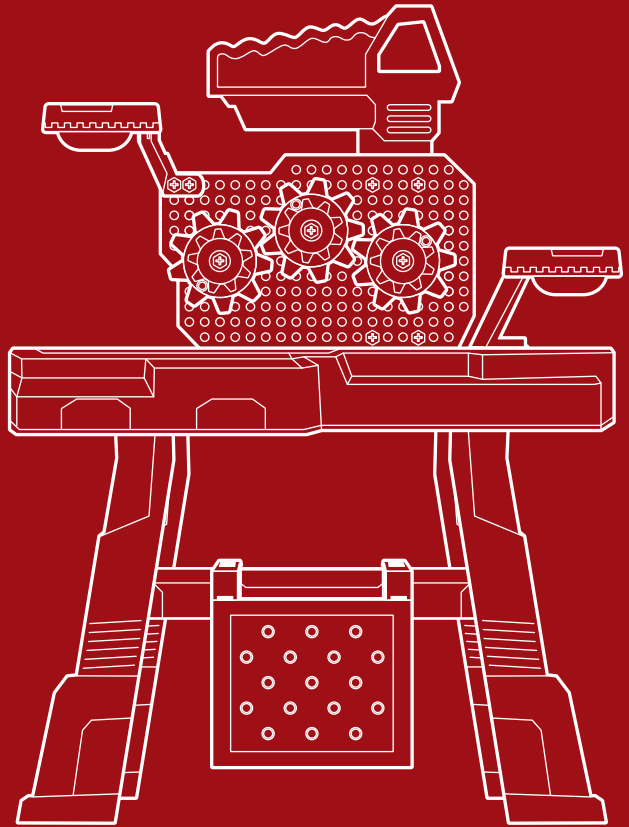




BEST CHOICE  
PRODUCTS



# INSTRUCTION MANUAL

---

Kids Workbench Playset



**BEST CHOICE  
PRODUCTS**

---

As shoppers, we're always trying to find the perfect balance between quality & value. At BCP, we believe we've achieved that. Our diverse catalog of everyday essentials is tailored especially to our customers & guaranteed to hit that sweet spot of high quality & low price.

— Always. —

**⚠ WARNING**  
**ADULT ASSEMBLY REQUIRED**

**⚠ WARNING**  
**CHOKING HAZARD - Small parts.**  
Not for children under 3 years old.

**⚠ NOTICE** Please retain these instructions for future reference.

- Product is intended for indoor use only.
- Do not stand on or use any part of this product as a step ladder.
- Firmly secure all bolts, screws, and knobs before use.
- Reconfirm that all bolts, screws, and knobs are secure every 90 days.
- If any parts are missing, broken, damaged, or worn, stop using this item until repairs are made and/or factory replacement parts are installed.
- Do not use this item in a way inconsistent with the manufacturer's instructions as this could void the product warranty.
- To clean, wipe down product with a damp cloth, then wipe it down once more with a dry cloth.
- This product is intended for residential use only.

**⚠ WARNING**

- This product requires adult assembly and supervision when in use.
- This product contains small parts. May result in choking hazard for children under 3 years.
- Please do not exceed the weight limitations of this item.
- Fasten screws loosely during initial assembly. Do not firmly tighten the screws until the item is completely assembled.
- Do not use or store this item in the proximity of open flame or flammable/combustible chemicals and substance.
- Be aware that some parts are heavy or have sharp edges.
- Do not use this item in a way inconsistent with manufacturer's instructions as this could void the product warranty.

**WARNINGS REGARDING BATTERIES**

The following safety hazards may result in serious injury or death:

- Do not mix alkaline, standard (carbon zinc) and rechargeable (nickel hydride) batteries.
- Do not mix old and new batteries.
- Non-rechargeable batteries should not be charged/
- Rechargeable batteries should be charged under adult supervision only.
- Exhausted batteries should be removed.
- The supply terminals should not be short-circuited.
- Do not put batteries next to or in a heat source (fire, electronic heating device etc.)
- Do not hit batteries against hard objects.
- Do not submerge batteries in water.
- Batteries should be inserted with the correct polarity.
- Use only provided adapter for this product.

## BATTERY REQUIREMENT



2 AA BATTERIES



3 YEARS  
OLD AND UP

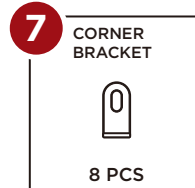
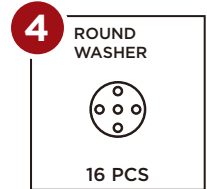
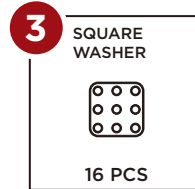
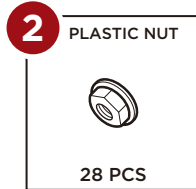
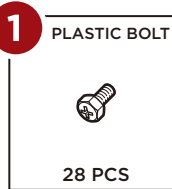


1 PERSON  
ASSEMBLY

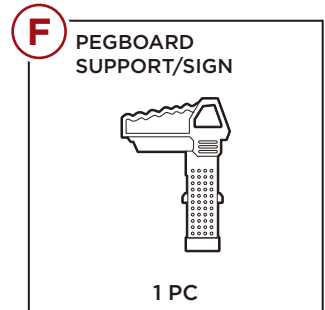
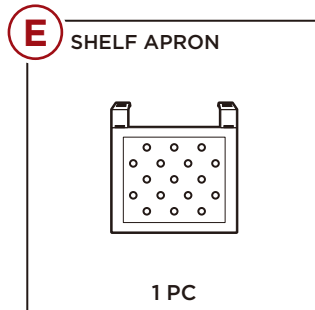
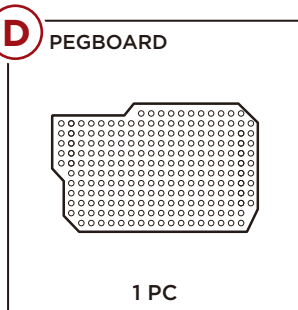
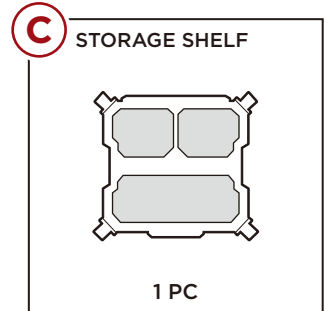
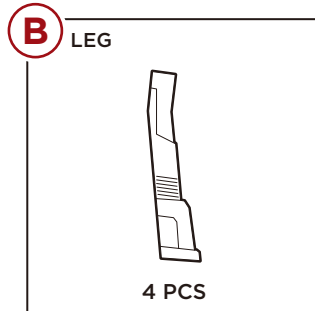
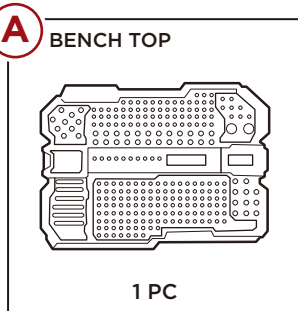


UP TO 5 MIN.  
ASSEMBLY

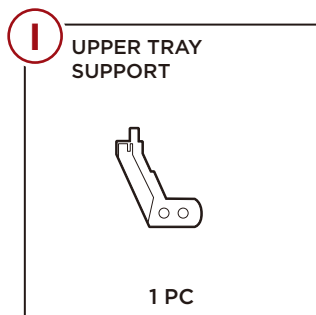
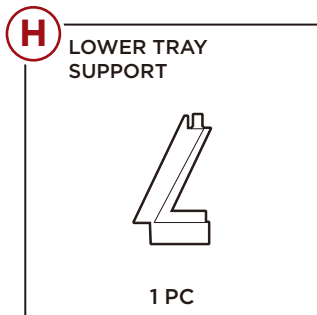
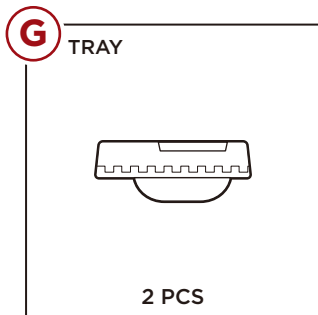
## HARDWARE



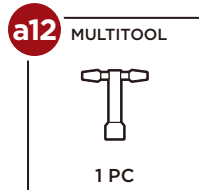
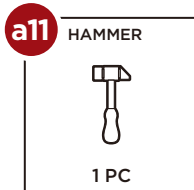
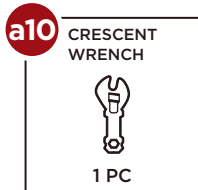
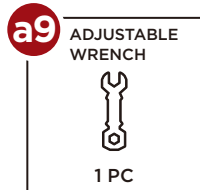
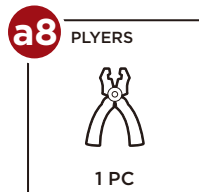
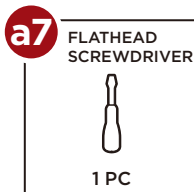
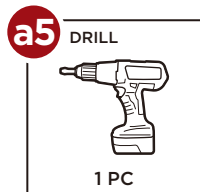
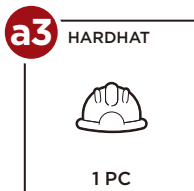
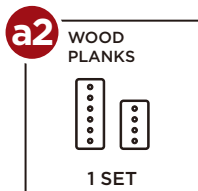
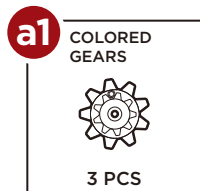
## PARTS



## PARTS



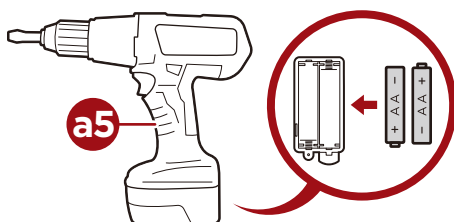
## ACCESSORIES



*This product comes with a play tool kit for assembly. It is recommended you match hardware and part colors where possible*

## INSTALLING BATTERIES

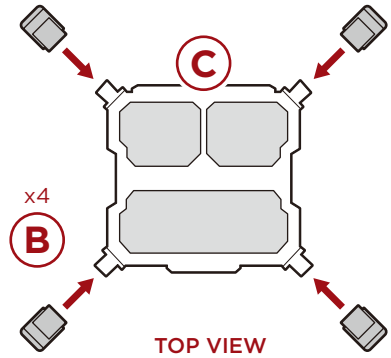
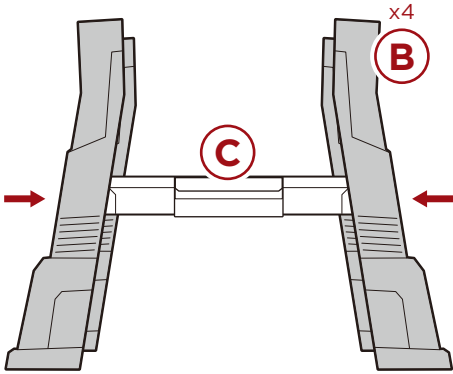
Locate the **part A5 drill** and install two AA-batteries.



## PRODUCT ASSEMBLY

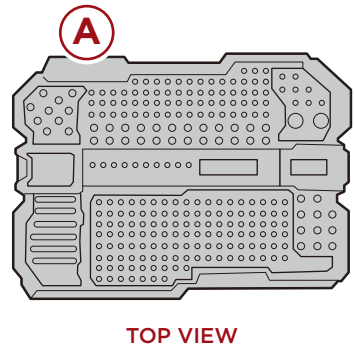
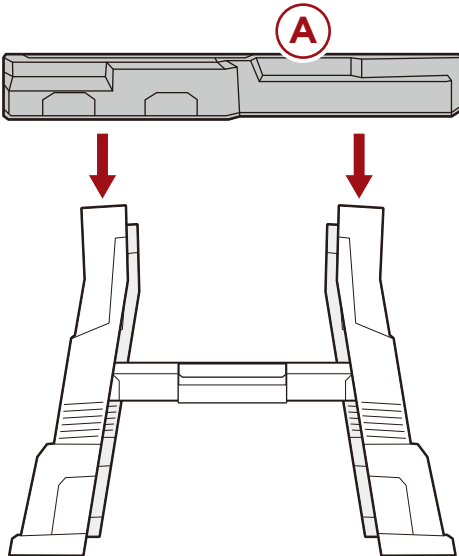
1

Locate the **part C storage shelf** and insert its corners into the receivers on the back of four **part B legs**. Press until secure.



2

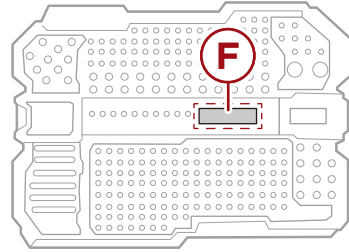
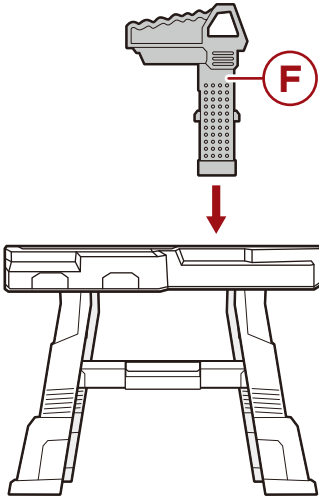
Insert the top pegs of the legs into the bottom corners of the **part A bench top**. Press down until secure.



## PRODUCT ASSEMBLY

3

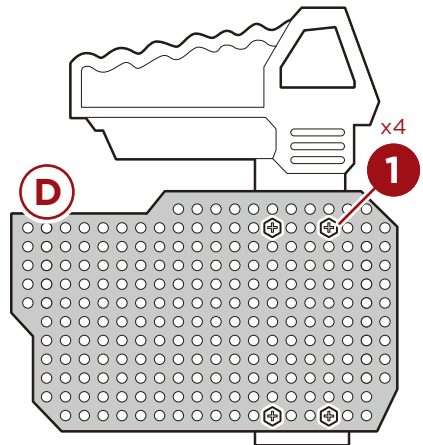
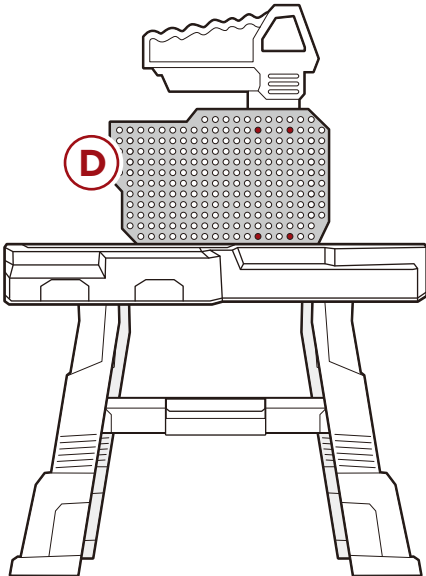
Insert the **part F** pegboard support/sign into the designated opening on the **part A** bench top.



TOP VIEW

4

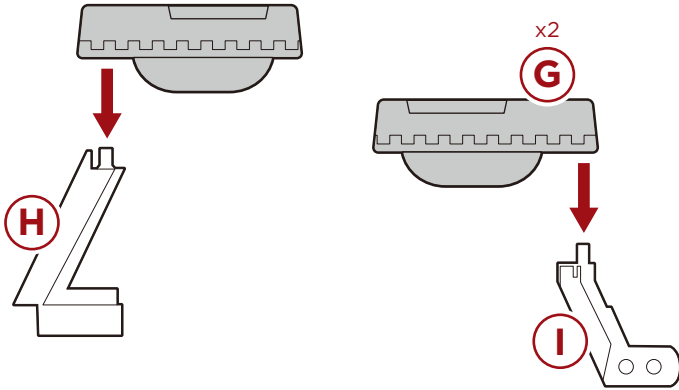
Attach the **part D** pegboard to the **part F** support/sign with four **part 1** plastic bolts. For proper alignment, leave three peg rows open on the right of the **part F** support, then secure.



## PRODUCT ASSEMBLY

5

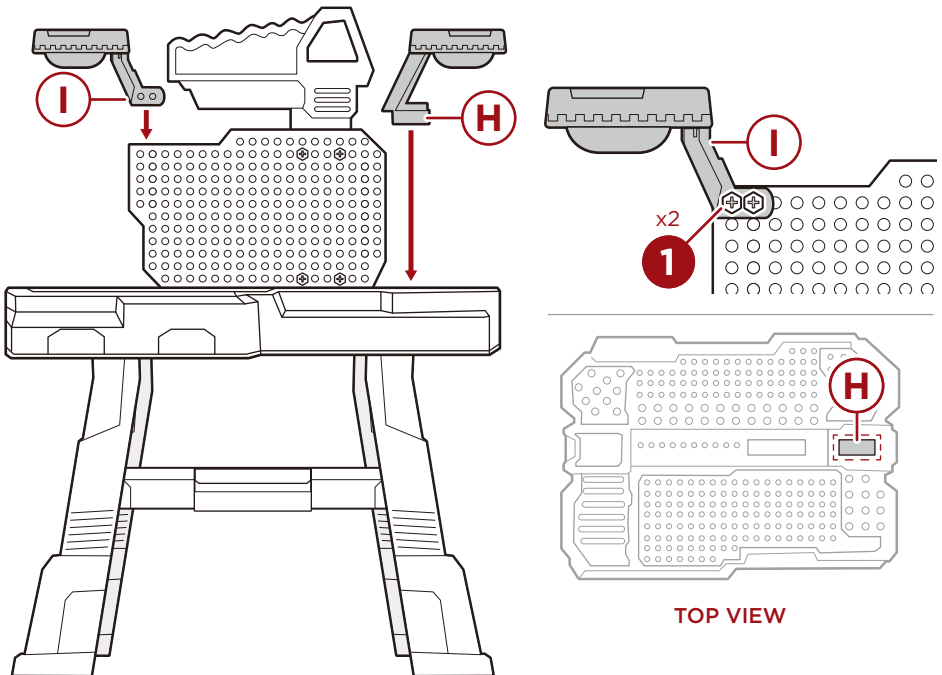
Locate the **part H & I tray supports** and attach one **part G tray** to each.



6

Insert the **part H lower tray support bottom** into the designated opening on the **part A bench top**, press to secure.

Attach the **part I upper tray support** to the top left corner of the **part D pegboard** with two **part 1 plastic bolts**.



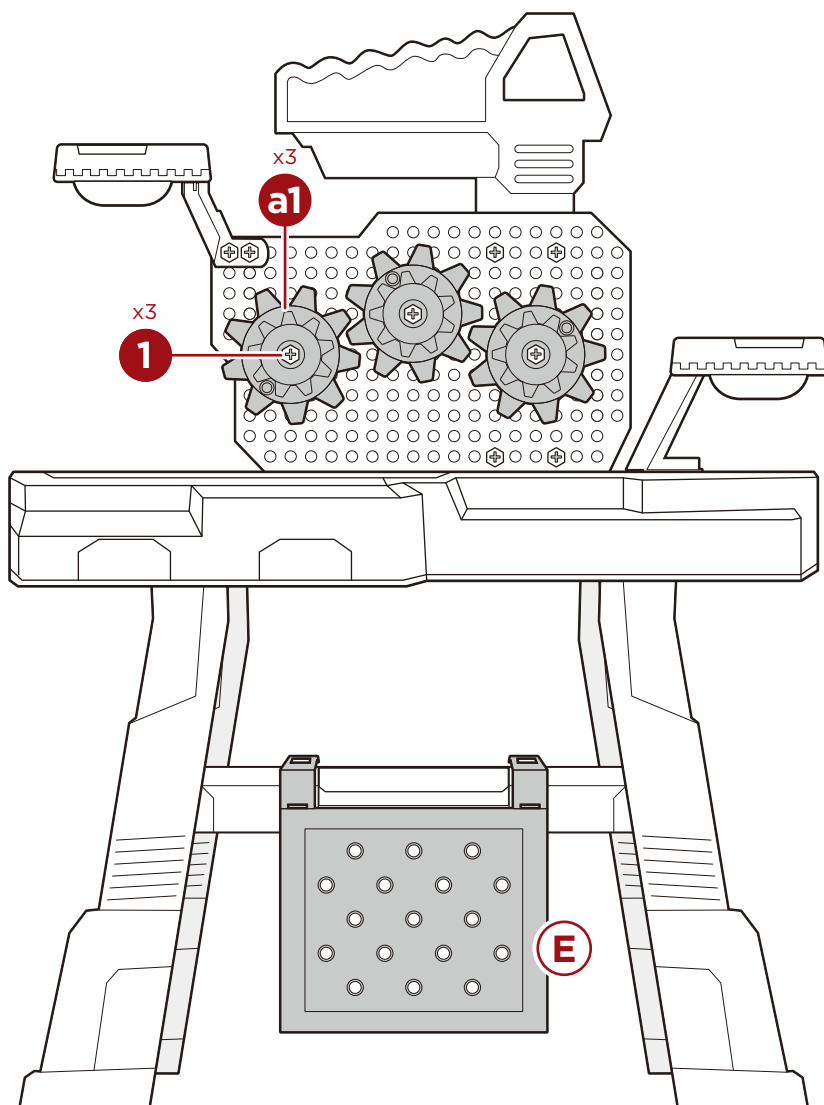
TOP VIEW



## PRODUCT ASSEMBLY

7

Hang the **part E shelf apron** on the **part C storage shelf**, then use three **part 1 plastic bolts** to attach the **part A1 colored gears**.



Use the included tools (see accessories section) to rearrange the parts or attach additional hardware as desired.



**BEST CHOICE  
PRODUCTS**

---

Check out more great products:

**[bestchoiceproducts.com](http://bestchoiceproducts.com)**

---

Earn points while you shop. Join today!

bestchoiceproducts  
**rewards**

Join | Earn | Redeem

Give your friends 15% off their first order! For each successful referral you'll receive 100 points.

[bestchoiceproducts.com](https://bestchoiceproducts.com)



# HELP CENTER



Question about your product? We're here to help. Visit us at:

[help.bestchoiceproducts.com](https://help.bestchoiceproducts.com)



Chat Support



Product Inquiry



Orders FAQ



Product Assembly



Returns & Refunds

## PRODUCT WARRANTY INFORMATION

All items can be returned for any reason within 60 days of the receipt and will receive a full refund as long as the item is returned in its original product packaging and all accessories from its original shipment are included. All returned items will receive a full refund back to the original payment method. All returned items will not be charged a re-stocking fee.

All returned items require an RA (Return Authorization) number, which can only be provided by a Best Choice Products Customer Service Representative when the return request is submitted. Items received without an RA may not be accepted or may increase your return processing time. Once an item has been received by Best Choice Products, refunds or replacements will be processed within 5 business days.

All returns must be shipped back to the Best Choice Products Return Center at the customer's expense. If the reason for return is a result of an error by Best Choice Products then Best Choice Products will provide a pre-paid shipping label via email. Boxes for return shipping will not be provided by Best Choice Products, and is the customer's responsibility to either use the original shipping boxes or purchase new boxes.

Pictures may be required for some returns to ensure an item is not damaged prior to its return. Items returned are not considered undamaged until they are received by Best Choice Products and verified as such. All damages to items are the customer's responsibility until the item has been received by and acknowledged by Best Choice Products as undamaged.

© 2023 Best Choice Products, Inc. All rights reserved. Distributed by Best Choice Products, Inc. Tustin, CA 92780

## WARNING

Manufacturer and seller expressly disclaim any and all liability for personal injury, property damage or loss, whether direct, indirect, or incidental, resulting from the incorrect attachment, improper use, inadequate maintenance, unapproved modification, or neglect of this product.