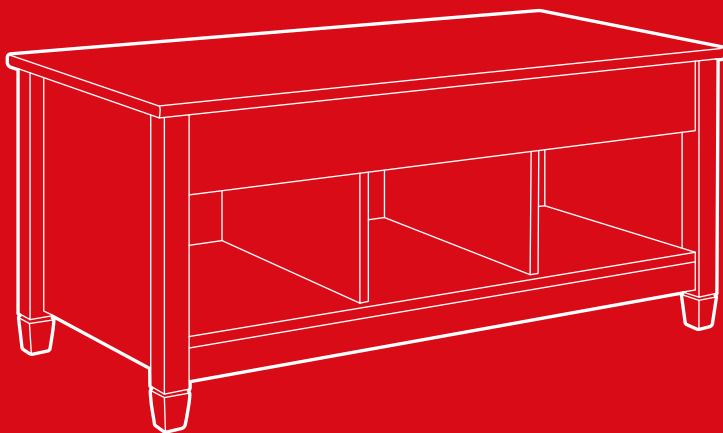




BEST CHOICE
PRODUCTS



INSTRUCTION MANUAL

Modern Coffee Table with Lift-Top

! NOTICE

The following safety hazards may result in serious injury or death:

- Firmly secure all bolts, screws and knobs before use.
- Reconfirm that all bolts, screws, and knobs are secure every 90 days.
- Do not use or store this item in the proximity of open flame or flammable/combustible chemicals.
- Always lay components on a clean, soft-cushioned surface during assembly.
- Improper installation may cause damage to the product.
- Product is intended for indoor use only.
- If any parts are missing, broken, damaged, or worn, stop using this item until repairs are made and/or factory replacement parts are installed.
- Do not use this item in a way inconsistent with the manufacturer's instructions as this could void the product warranty.
- To wipe down the furniture, use a damp cloth. Then, wipe it down once more with a dry cloth.
- Be aware that extra hardware may be included.
- For residential use only.



100 LBS
CAPACITY



1 PERSON
ASSEMBLY



UP TO 45 MIN.
ASSEMBLY

TOOLS REQUIRED



FLAT HEAD
SCREWDRIVER



PHILLIPS
SCREWDRIVER



HAMMER



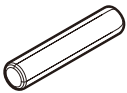
ELECTRIC DRILL
WITH PHILLIPS BIT



WRENCH
(PROVIDED)

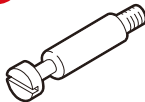
HARDWARE

A DOWEL



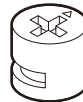
32 PCS

B CAM BOLT



36 PCS

C CAM LOCK



36 PCS

D CAM COVER



36 PCS

E TABLETOP
PAD



6 PCS

F 4mm x 14mm
SCREW



28 PCS

H 0.16mm x 1.38mm
SCREW



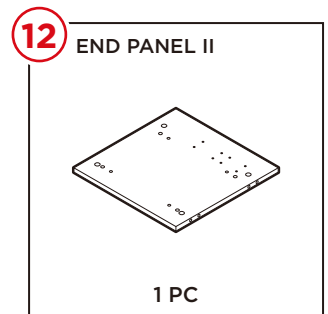
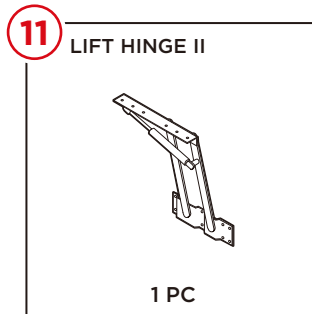
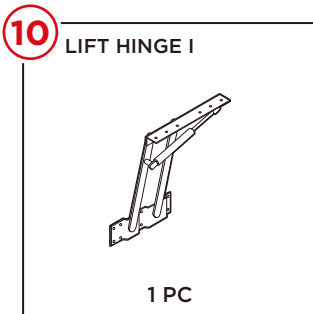
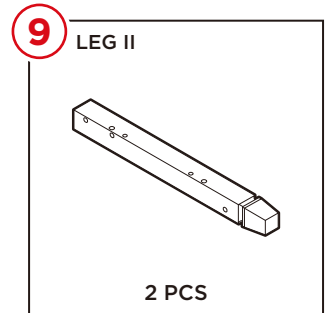
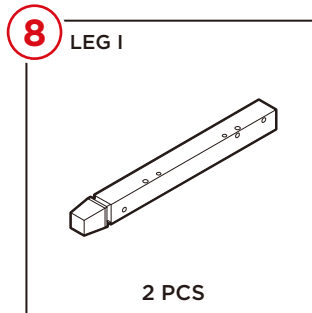
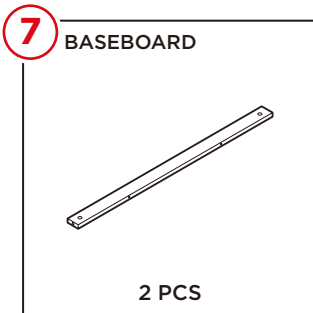
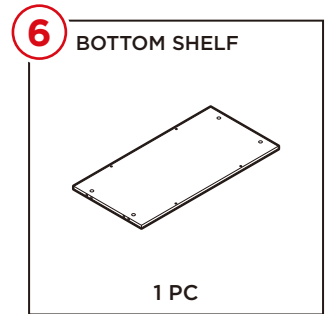
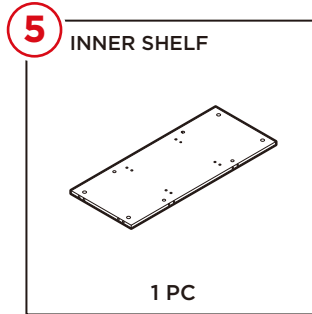
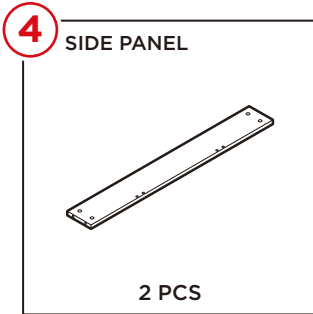
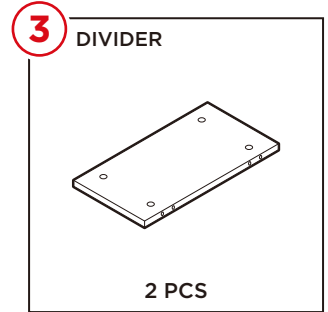
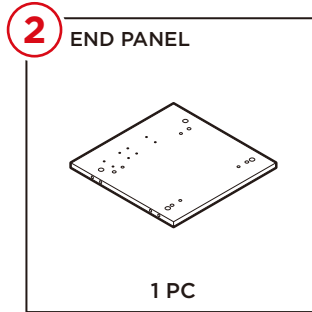
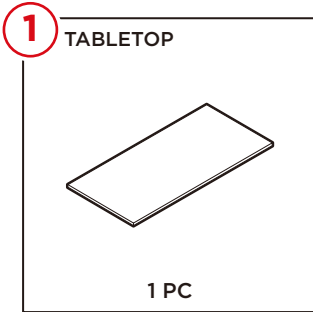
8 PCS

I FOOTER



4 PCS

PARTS

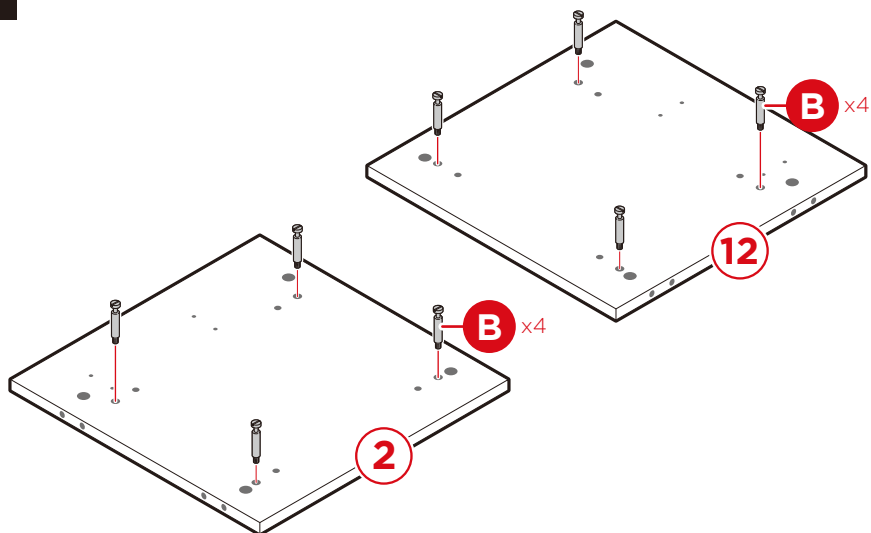


PRODUCT ASSEMBLY

Please retain these instructions for future reference.

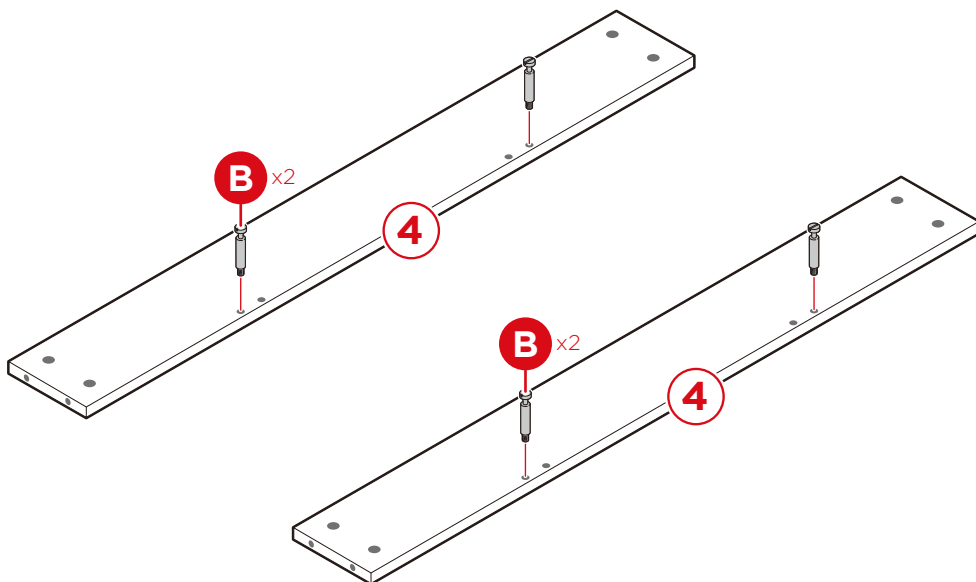
1

Insert four **part B** cam bolts into each **part 2** and **part 12** end panel.



2

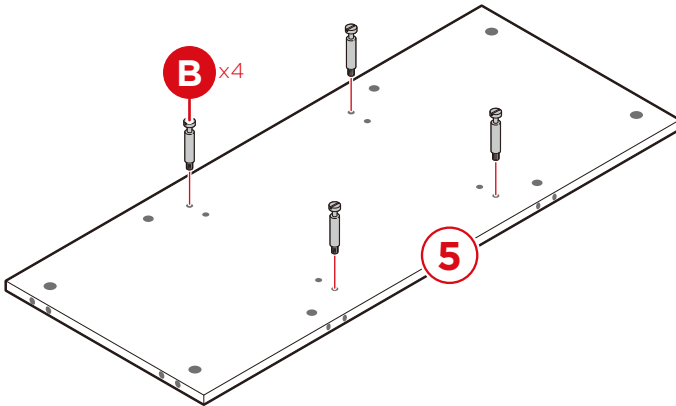
Insert two **part B** cam bolts into each **part 4** side panel.



PRODUCT ASSEMBLY

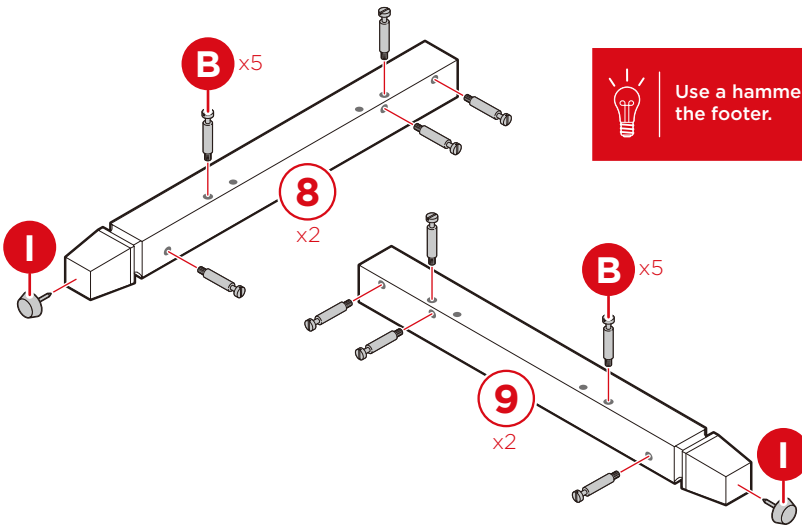
3

Insert four **part B** cam bolts into **part 5** inner shelf.



4

Insert five **part B** cam bolts and one **part I** footer into each **part 8** and **9** legs.

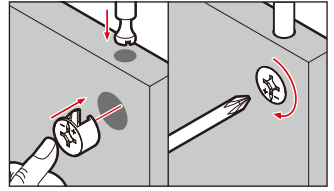


PRODUCT ASSEMBLY

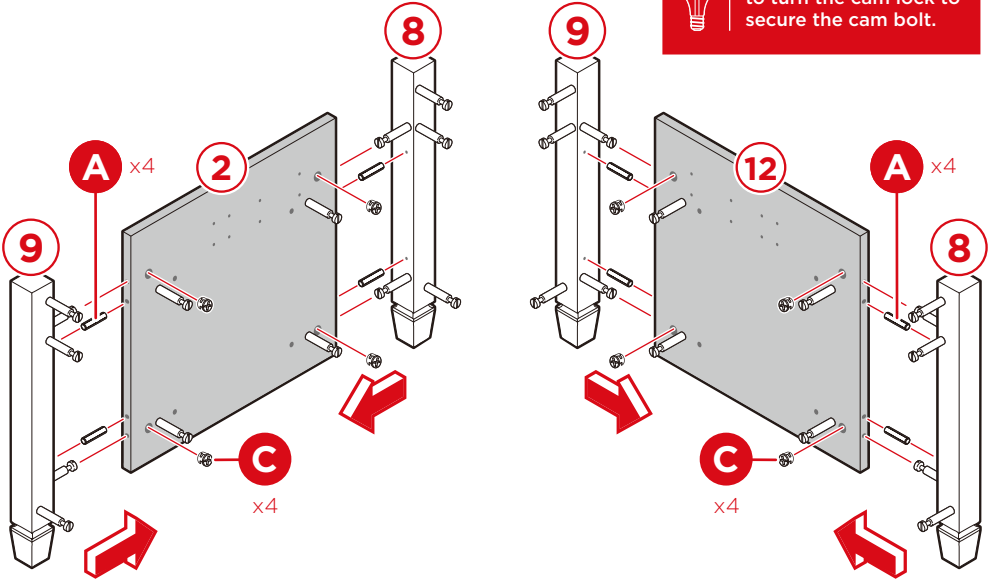
5

Insert four **part A** dowels and four **part C** cam locks into each **part 2** and **part 12** end panel.

Attach **part 8** and **part 9** table legs to **part 2** and **part 12** end panels.

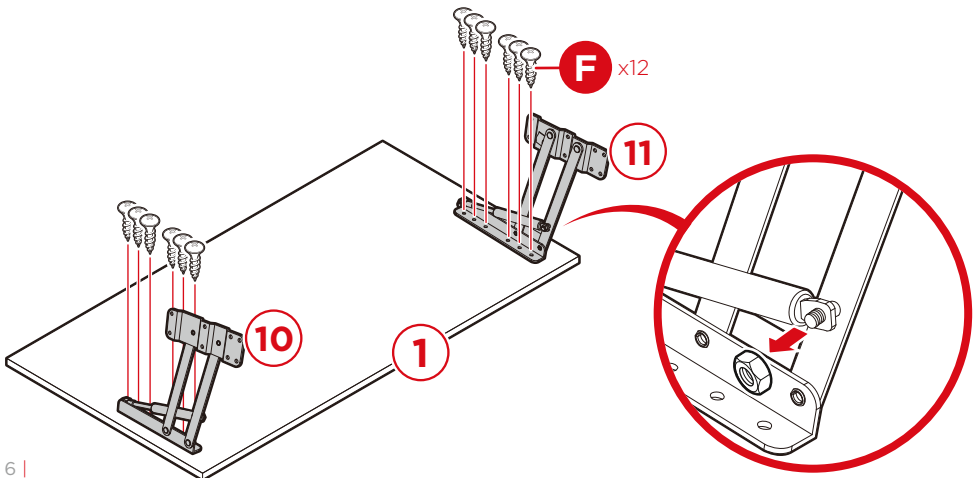


Use a screwdriver to turn the cam lock to secure the cam bolt.



6

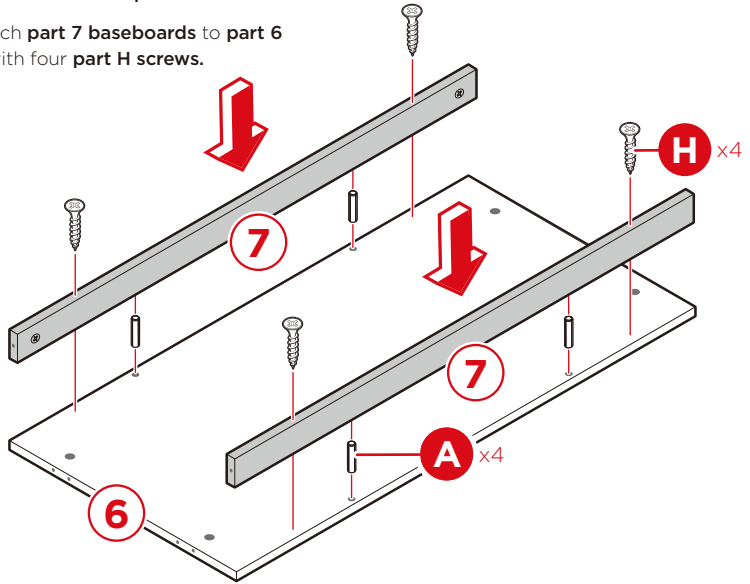
Use drill to attach **part 10** and **part 11** lift hinges to **part 1** tabletop with twelve **part F** screws. Unscrew the nuts from each lift hinges with the provided wrench.



PRODUCT ASSEMBLY

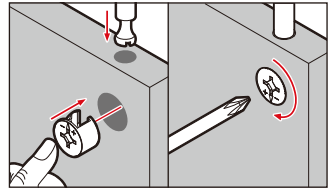
7


Insert four **part A** dowels into **part 6** bottom shelf.
Use drill to attach **part 7** baseboards to **part 6** bottom shelf with four **part H** screws.

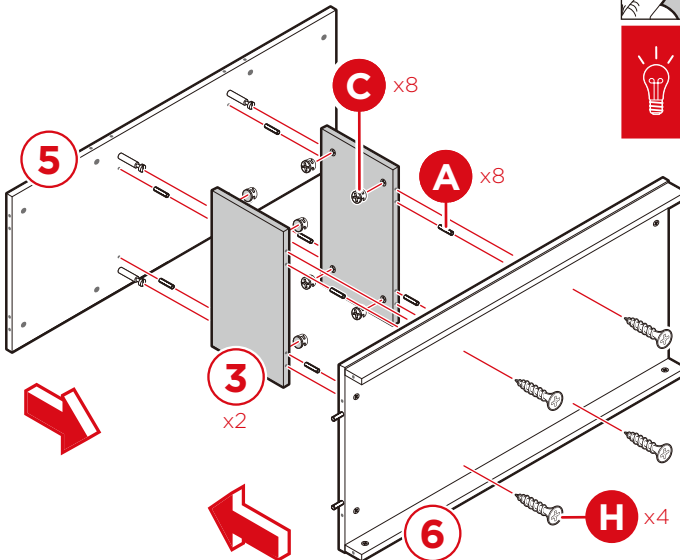


8

Insert four **part A** dowels and four **part C** cam locks into each **part 3** end divider.
Connect **part 5** inner panels with two **part 3** dividers. Use drill to attach **part 6** bottom shelf with four **part H** screws.



 Use a screwdriver to turn the cam lock to secure the cam bolt.



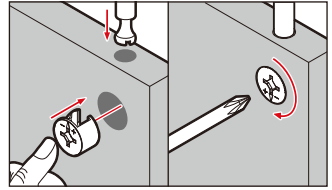
PRODUCT ASSEMBLY

9

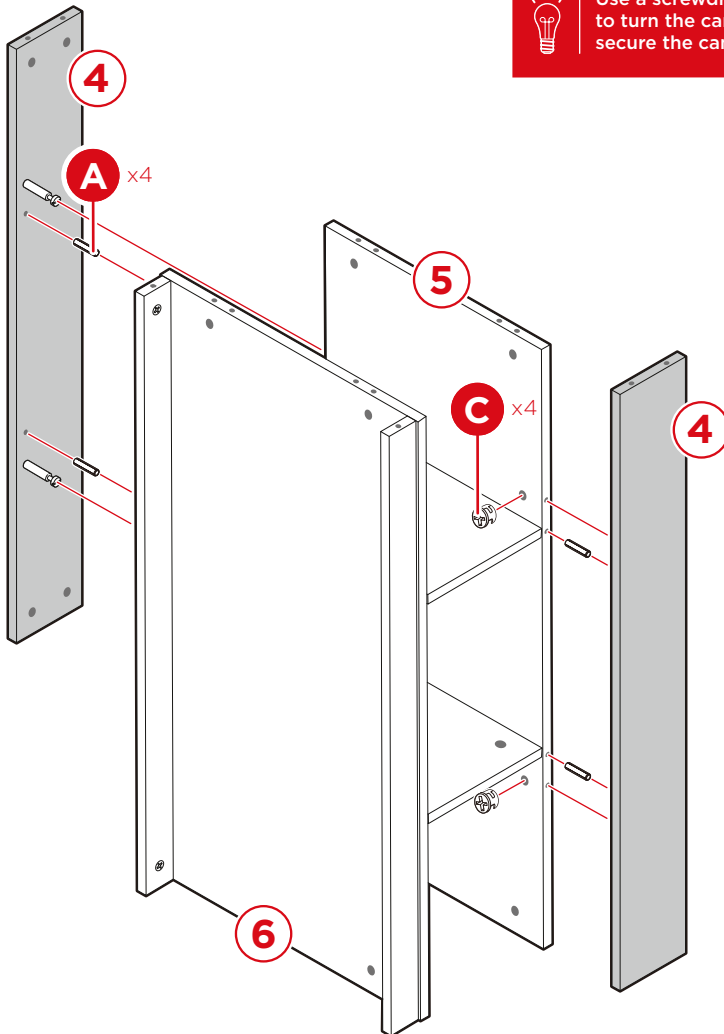
Have the long size of the shelf vertically.

Insert four **part A dowels** and four **part C cam locks** into **part 5 inner shelf**.

Attach two **part 4 side panels** into **part 5 inner shelf**.



Use a screwdriver to turn the cam lock to secure the cam bolt.

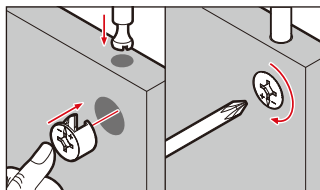


PRODUCT ASSEMBLY

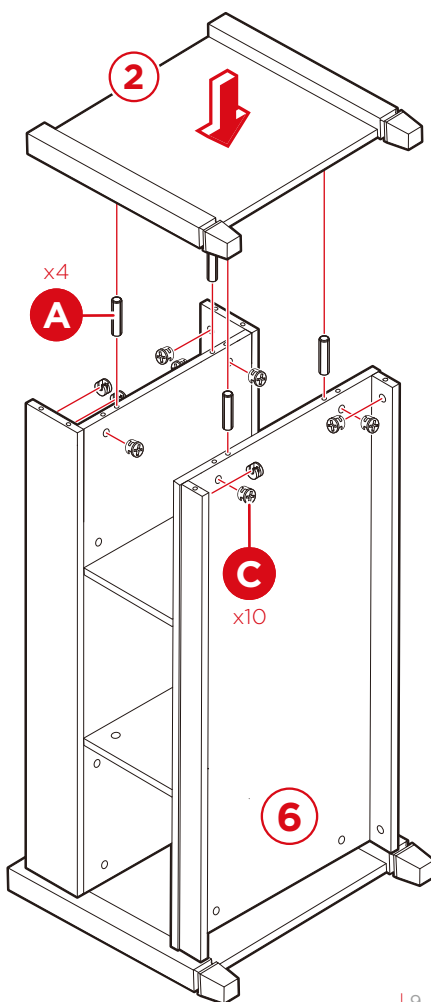
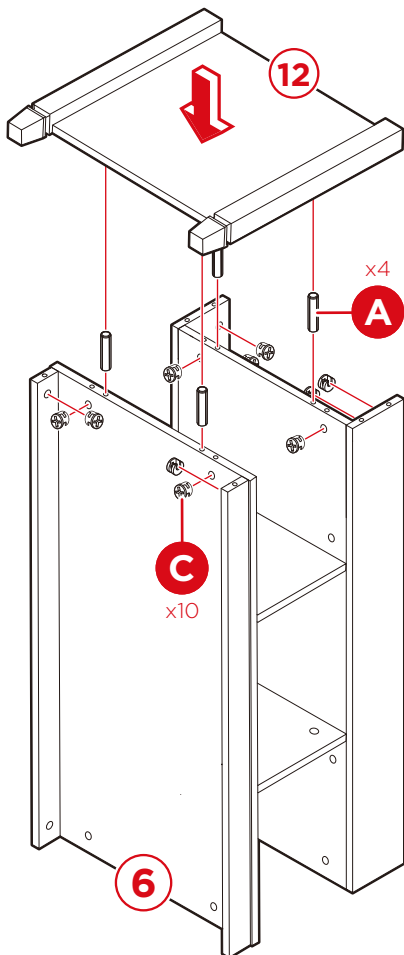
10

Insert four **part A** dowels and ten **part C** cam locks into each sides of the shelf.

Attach **part 2** and **part 12** end panels to each sides of the shelf.



Use a screwdriver to turn the cam lock to secure the cam bolt.



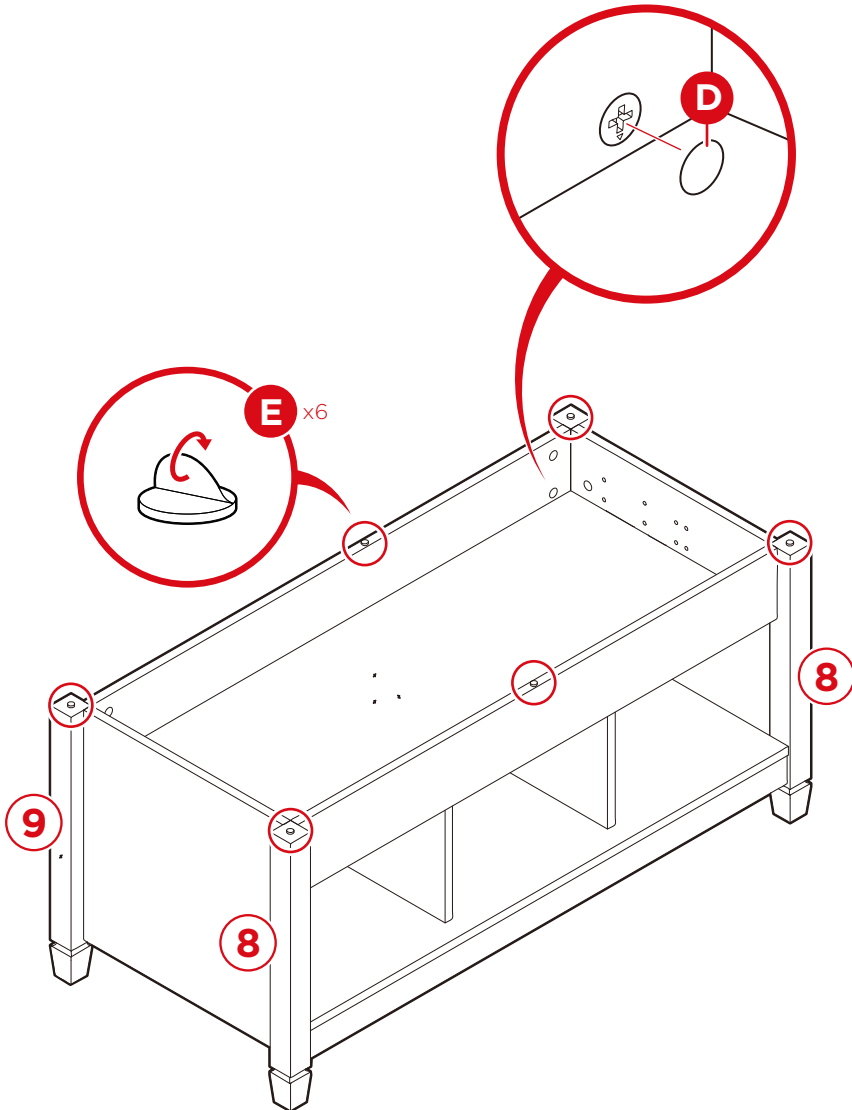
PRODUCT ASSEMBLY

11

Have the coffee table standing on its legs.

Peel and place **part E tabletop pads** on the tops of each **part 8 and 9 legs**.

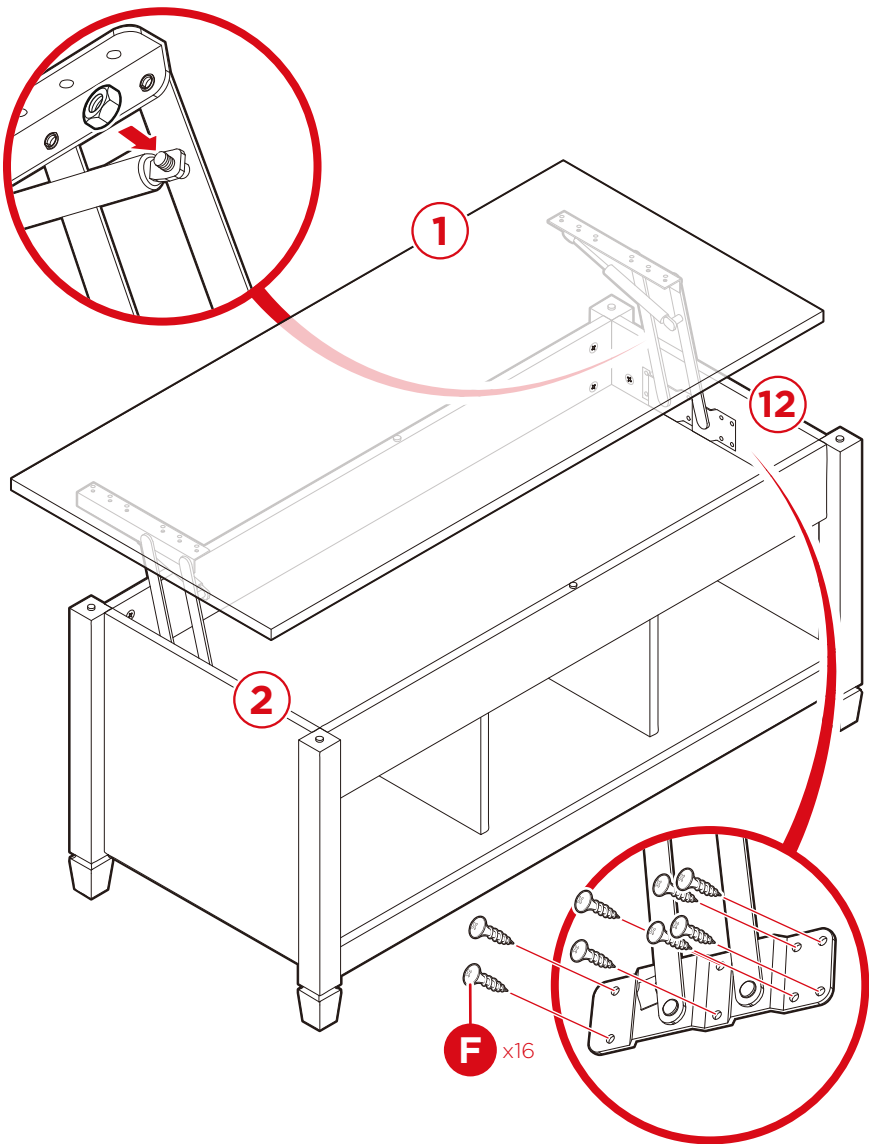
Then apply **part D cam covers** over each exposed cam lock.



PRODUCT ASSEMBLY

12

Use drill to attach **part 1 tabletop** to **part 2** and **part 12 endpanels** with sixteen **part F screws**.
Screw back the nuts from each lift hinges with the provided wrench.





HELP CENTER



Question about your product? We're here to help. Visit us at:

help.bestchoiceproducts.com



Chat Support



Product Inquiry



Orders FAQ



Product Assembly



Returns & Refunds

PRODUCT WARRANTY INFORMATION

All items can be returned for any reason within 60 days of the receipt and will receive a full refund as long as the item is returned in its original product packaging and all accessories from its original shipment are included. All returned items will receive a full refund back to the original payment method. All returned items will not be charged a re-stocking fee.

All returned items require an RA (Return Authorization) number, which can only be provided by a Best Choice Products Customer Service Representative when the return request is submitted. Items received without an RA may not be accepted or may increase your return processing time. Once an item has been received by Best Choice Products, refunds or replacements will be processed within 5 business days.

All returns must be shipped back to the Best Choice Products Return Center at the customer's expense. If the reason for return is a result of an error by Best Choice Products then Best Choice Products will provide a pre-paid shipping label via email. Boxes for return shipping will not be provided by Best Choice Products, and is the customer's responsibility to either use the original shipping boxes or purchase new boxes.

Pictures may be required for some returns to ensure an item is not damaged prior to its return. Items returned are not considered undamaged until they are received by Best Choice Products and verified as such. All damages to items are the customer's responsibility until the item has been received by and acknowledge by Best Choice Products as undamaged.



WARNING

Manufacturer and seller expressly disclaim any and all liability for personal injury, property damage or loss, whether direct, indirect, or incidental, resulting from the incorrect attachment, improper use, inadequate maintenance, unapproved modification, or neglect of this product.