

Pliers Wrenches

Pliers and a wrench in a single tool

DIN ISO 5743

86

Replaces a full set of inch and metric open end wrenches

Smooth jaws for damage free installation of plated fittings – working directly on chrome!

- > adjustable tightening tool
- > excellent for gripping, holding, pressing and bending applications
- > zero backlash jaw surface pressure prevents damage to edges of sensitive components
- > adjustment at the touch of a button directly on the workpiece
- > parallel jaws allow infinitely variable gripping of all widths to the specified maximum size
- > reliable catching of the hinge bolt: no unintentional shifting
- > the action of the jaws allows bolted connections to be tightened and released quickly using the ratchet principle
- > lever transmission greater than 10 - 1 for strong gripping power
- > chrome vanadium electric steel; forged, oil-hardened

Length 5"

Mini pliers wrench for precision mechanics; particularly suitable for working on small bolted connections; very good access in very confined spaces

Length 6"

Ideal multipurpose wrench in pocket size; indispensable companion in emergency tool kit

Length 7 1/4"

With narrow gripping jaws – for fastening/loosening situations requiring a slim tool

Length 10"

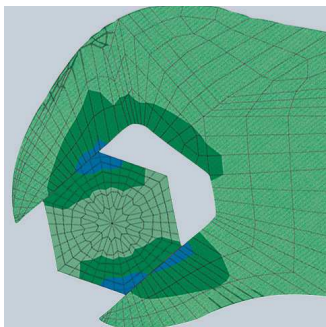
NOW with 2" capacity, lightweight, thinner head and adjustment scale for presetting the adjustment point

86 05 180 T BKA / 86 05 250 T BKA*

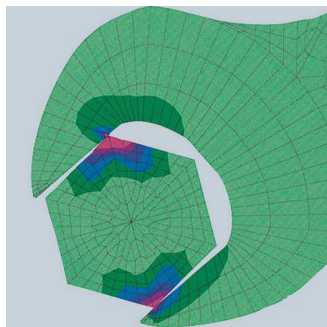
Pliers with integrated tether attachment point for tool drop protection system

86 43 250 US

15° angled pliers handle provides space for counter screw connections or bolted fittings on surfaces



Pliers wrench: zero backlash contact pressure, no damage to edges



Conventional open end wrench: edge pressure causes surface damage on edges of nuts and bolts



10" Version: opening width lasered onto the pliers head (metric on the front and imperial on the back)



Fast adjustment by pushing a button



86 03 125



86 03 150



86 03 180



86 05 250



86 05 250 T



86 03 300



86 01 250

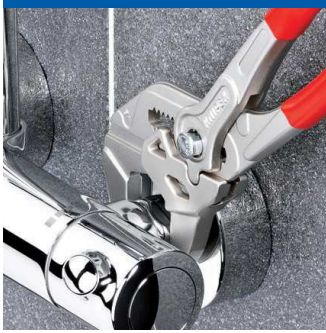


86 06 250 US



86 43 250 US





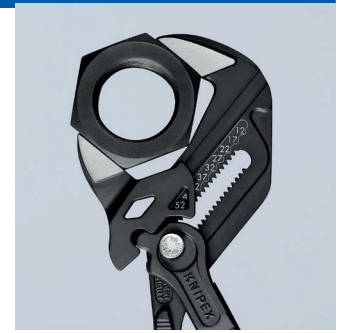
Working on plated fittings without damaging the surface



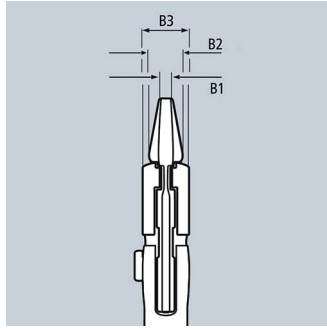
Replaces a full set of inch and metric open end wrenches



Ideal for bending work



Opening width lasered onto the pliers head (metric on the front and imperial on the back)



The smooth jaws grip all parallel surfaces in the capacity range with a high degree of pressure if necessary and open up almost unlimited application possibilities for the pliers wrench: e.g. for tightening locknuts, exerting pressure to activate the adhesive power of contact adhesives, edge breaking in tile work, snapping cable ties, utilization as a small vice.

Product Number	Packaging	↔ Inch mm		Pliers	Handles	 Inch mm	Adjustment positions	Dimensions			 lbs
								B1 Inch mm	B2 Inch mm	B3 Inch mm	
86 01 250	X	10 250		black atramentized	non-slip plastic coating	2 52	19	5/16 8.0	5/16 8.0	35/64 14.0	1.00
86 02 250	X	10 250		black atramentized	multi-component grips	2 52	19	5/16 8.0	5/16 8.0	35/64 14.0	1.03
86 03 125	X	5 125		chrome plated	plastic coated	7/8 23	11	1/8 3.0	13/64 5.0	3/8 9.5	0.23
86 03 150	X	6 150				1 27	14	3/16 4.7	9/32 7.0	13/32 10.5	0.39
86 03 180	X	7 1/4 180				1 3/8 35	13	13/64 5.0	5/16 8.0	15/32 12.0	0.56
86 03 250	X	10 250				2 52	19	5/16 8.0	5/16 8.0	35/64 14.0	1.18
86 03 300	X	12 300				2 3/8 60	22	3/8 9.5	3/8 9.5	19/32 15.0	1.61
86 05 150		6 150		chrome plated	multi-component grips	1 27	14	3/16 4.7	9/32 7.0	13/32 10.5	0.43
86 05 180	X	7 1/4 180			1 3/8 35	13	13/64 5.0	5/16 8.0	15/32 12.0	0.61	
86 05 180 T BKA	X	7 1/4 180			1 3/8 35	13	13/64 5.0	5/16 8.0	15/32 12.0	0.66	
86 05 250	X	10 250			2 52	19	5/16 8.0	5/16 8.0	35/64 14.0	1.26	
86 05 250 T BKA	X	10 250			2 52	19	5/16 8.0	5/16 8.0	35/64 14.0	1.35	
86 06 250 US	X	10 250		chrome plated	insulated with multi-component grips, VDE-tested	2 52	19	5/16 8.0	5/16 8.0	35/64 14.0	1.14
86 43 250 US	X	10 250		chrome plated	plastic coated	1 3/4 46	19	5/16 8.0	5/16 8.0	35/64 14.0	1.19

*Learn more about our tethered tool system on pages 207-211