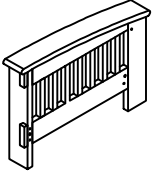


# ASSEMBLY INSTRUCTION

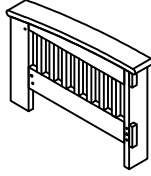
## MISSION SOFA

**A** Arm Frame-Left



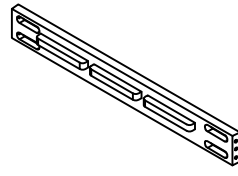
1 PC

**B** Arm Frame-Right



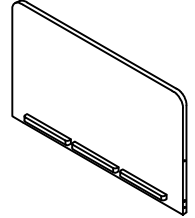
1 PC

**C** Stretcher



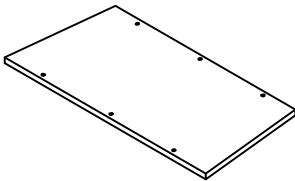
1 PC

**D** Back Panel



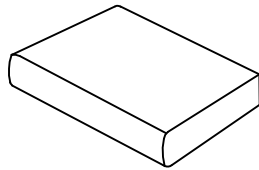
1 PC

**E** Seat Panel



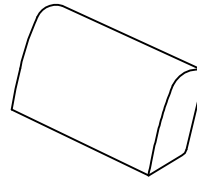
1 PC

**F** Seat Cushion



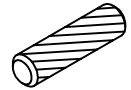
2 PCS

**G** Back Cushion



2 PCS

**H** Wood Dowel  
M8 x 40mm



4 PCS

**I** Bend Washer  
M6 x 18mm



4 PCS

**J** JCBC Bolt  
M6 x 50mm



8 PCS

**K** Screw  
M4 x 32mm

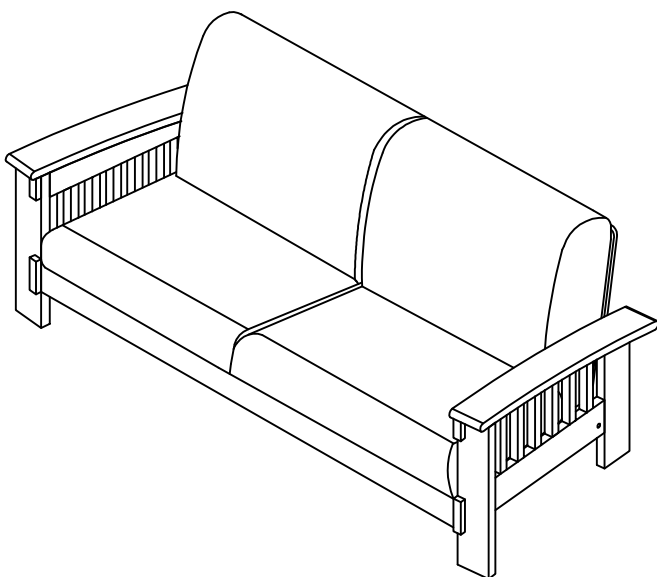


6 PCS

**L** Allen Key  
M4 x 100mm

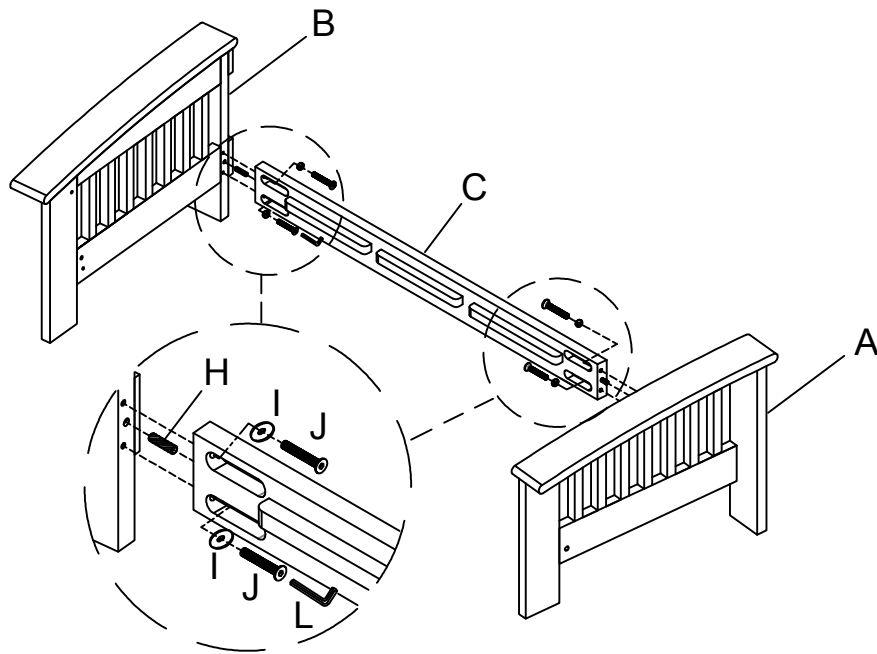


1 PC

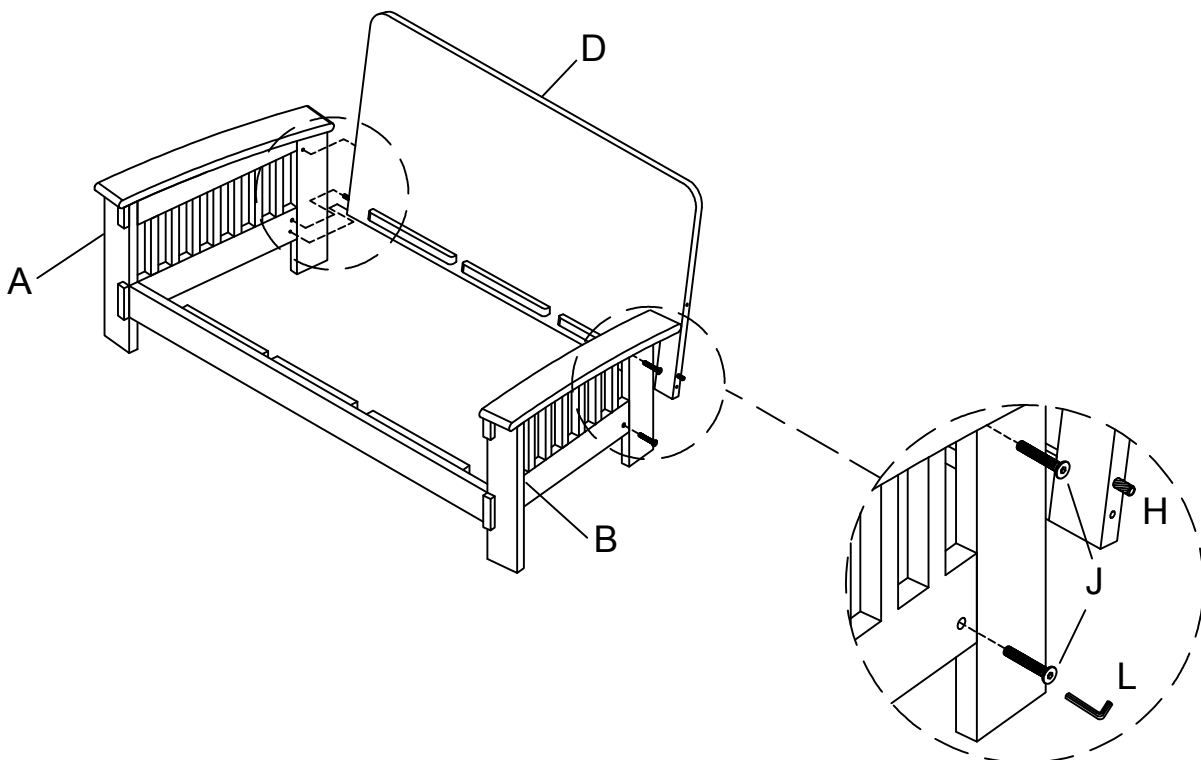


This page lists all the contents included in the box. Please take the time to identify the hardware as well as the individual components to this product. As you unpack and prepare for assembly, place the contents on a carpeted or padded area to protect them from damage.

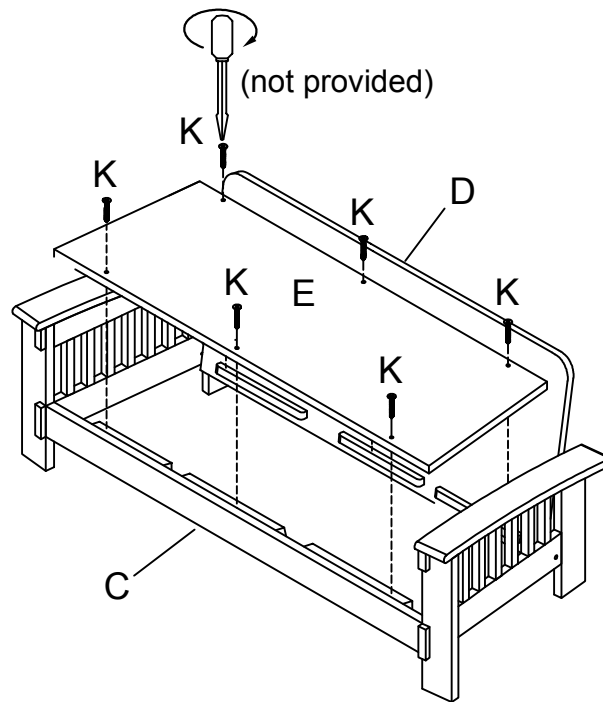
- 1** Insert Wood Dowel (H) into the middle holes of the Stretcher (C). Then, attach the Stretcher (C) to the Arm Frame-Left & Right (A & B) by Bend Washer (I) using JCBC Bolt (J) on upper and lower holes with Allen Key (L).



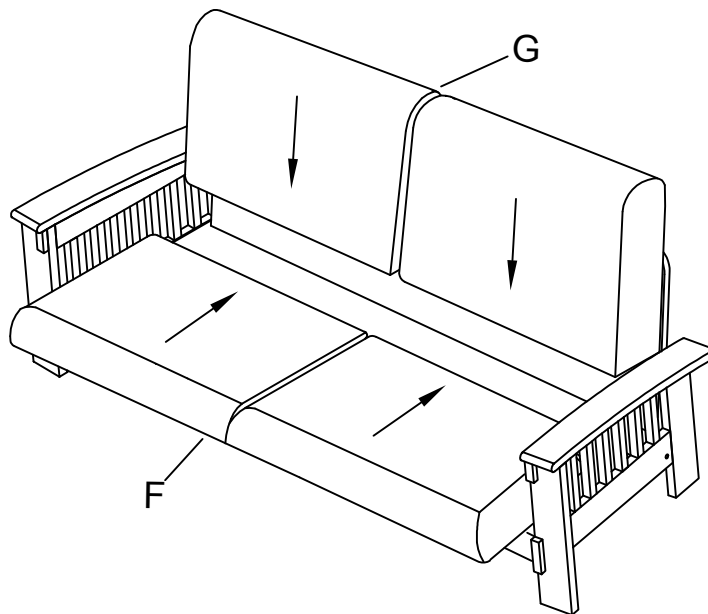
- 2** Insert Wood Dowel (H) into the middle holes of the Back Panel (D). Then, attach the Back Panel (D) to the Arm Frame-Left & Right (A & B) using JCBC Bolt (J) with Allen Key (L).



- 
- 3** Attach the Seat Panel (E) to the Stretcher (C) and Back Panel (D) using Screw (K) with a screwdriver (not provided).



- 
- 4** Place the Seat Cushion (F) and Back Cushion (G) on the Sofa.



---

#### Cleaning & Care

Treat surfaces with care. Surfaces are resistant to scratches but are not scratch resistant. Clean surfaces with a dry or damp soft cloth. Do not use abrasive cleaners. Hardware may loosen over time. Periodically check that all connections are tight.