

Installation Instructions

Sliding Shower Door

Record your model number:
Noter le numéro de modèle:
Anoté su número de modelo: _____

Français, page 27
Español, página 54

KOHLER®

Thank You for Choosing KOHLER

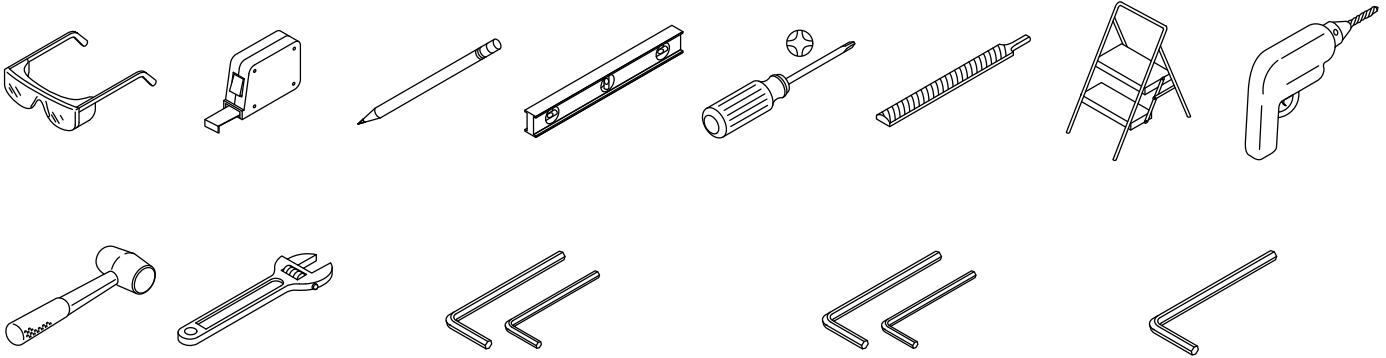
Need help? Contact our Customer Care Center.

- USA/Canada: 1-800-4KOHLER (1-800-456-4537) Mexico: 001-800-456-4537
- Service parts: kohler.com/serviceparts
- Care and cleaning: kohler.com/clean
- Patents: kohlercompany.com/patents

Warranty

This product is covered under the KOHLER® One-Year Limited Warranty, found at kohler.com/warranty. For a hardcopy of warranty terms, contact the Customer Care Center.

Tools and Materials



2.5 mm, 3 mm Hex Wrenches 4 mm, and 5 mm Hex Wrenches 6 mm Hex Wrench









1/4" Drill Bit, 1/4" Masonry Bit for Tile Painters Tape 100% Silicone Sealant

Plus:

- Metal-Cutting Chop Saw or Cut-Off Saw
- 3" or Longer #2 Philips Driver Bit (recommended)
- Drop Cloth

Before You Begin

-  **WARNING: Risk of serious injury.** Damage before installation can result in glass shattering. Inspect the glass and all parts for damage before installation.
-  **WARNING: Risk of serious injury.** Improper installation can result in glass shattering. Follow all installation instructions.
-  **WARNING: Risk of serious injury.** Do not cut tempered glass. Tempered glass will shatter if cut.
-  **WARNING: Risk of serious injury.** Shower door and side panels can shatter. Regularly inspect the glass and all parts for damage, missing, or loose parts.
-  **WARNING: Risk of serious injury.** Always wear safety glasses while cutting and drilling.
-  **CAUTION: Risk of personal injury.** Tempered glass should not contact hard surfaces or it may shatter. Do not touch the edge of the tempered glass panel with tools or any hard objects.

IMPORTANT! Leave this manual for the end user. Read all instructions before installing or using this product.

IMPORTANT! This door is designed to accommodate walls that are less than 3/8" (10 mm) out of plumb. Verify that the area that the door will be attached to is within 3/8" (10 mm) of plumb. The door may not function properly if the wall is more than 3/8" (10 mm) out of plumb.

IMPORTANT! Do not install this door on a cast iron shower base.

IMPORTANT! Do not remove the corner protectors from the door panels until the door panels are installed.

Cover the drain with tape to prevent the loss of small parts.

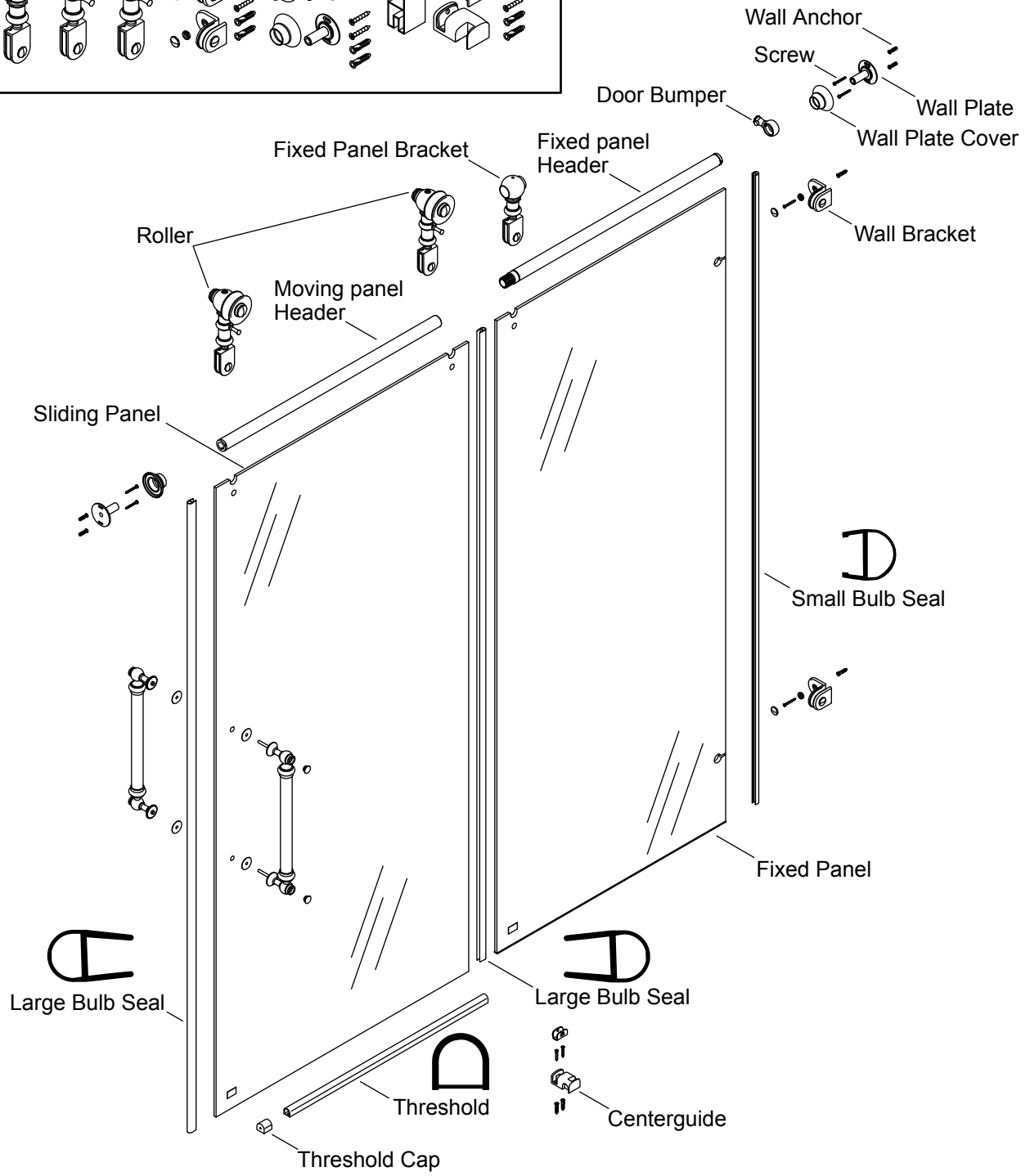
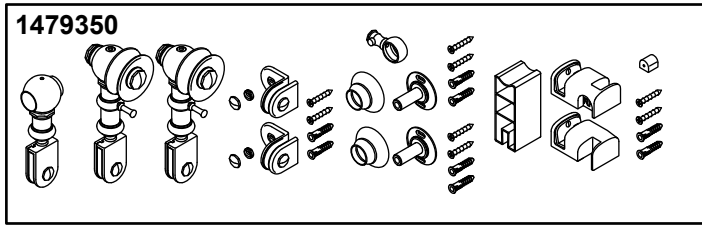
Identify all parts before installation. Inspect for damage.

Follow the silicone sealant manufacturer's instructions for application and curing time.

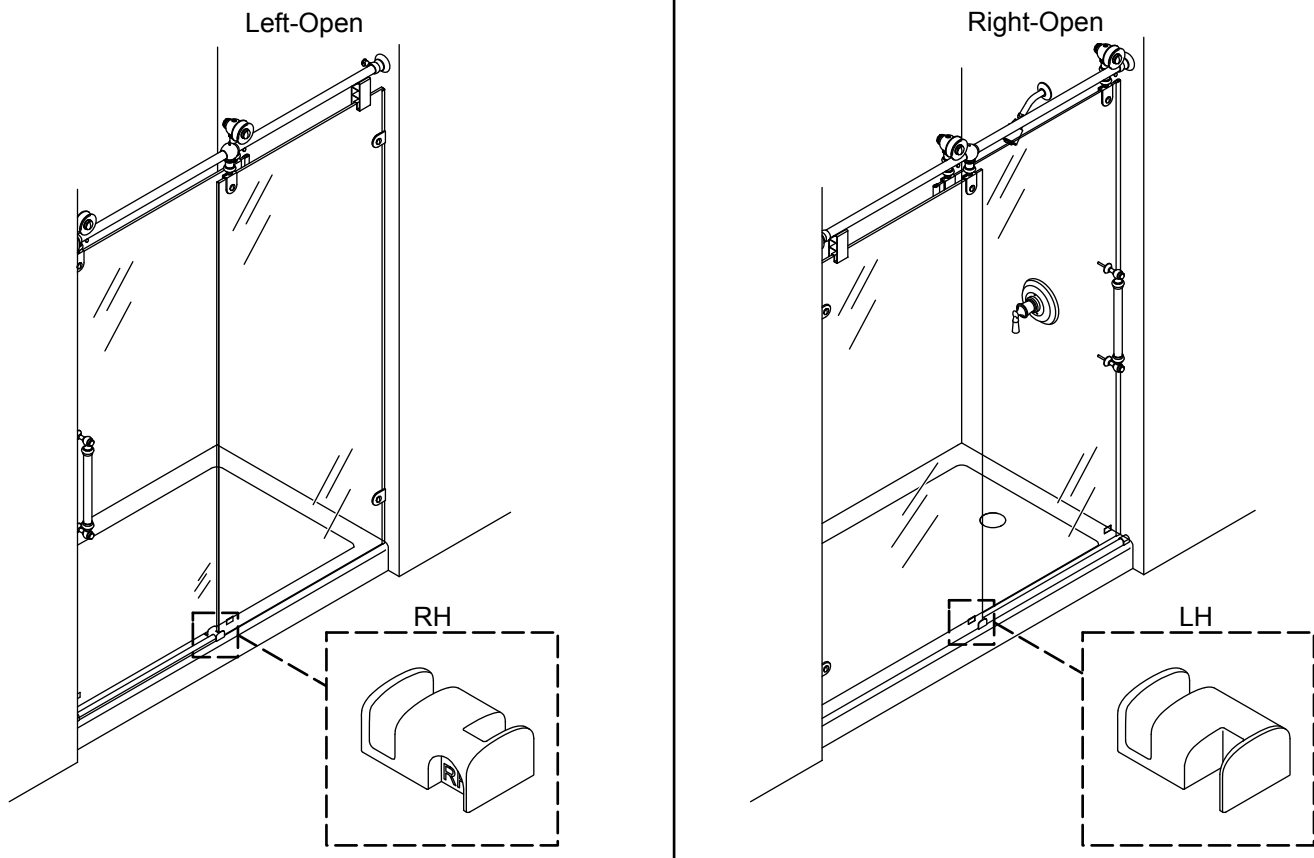
Two people should perform this installation.

The fixed panel should be installed on the opposite side of the showerhead.

Parts Identification



1. Determine Door Configuration



IMPORTANT! Left-Open configuration is shown in installation steps unless otherwise indicated.

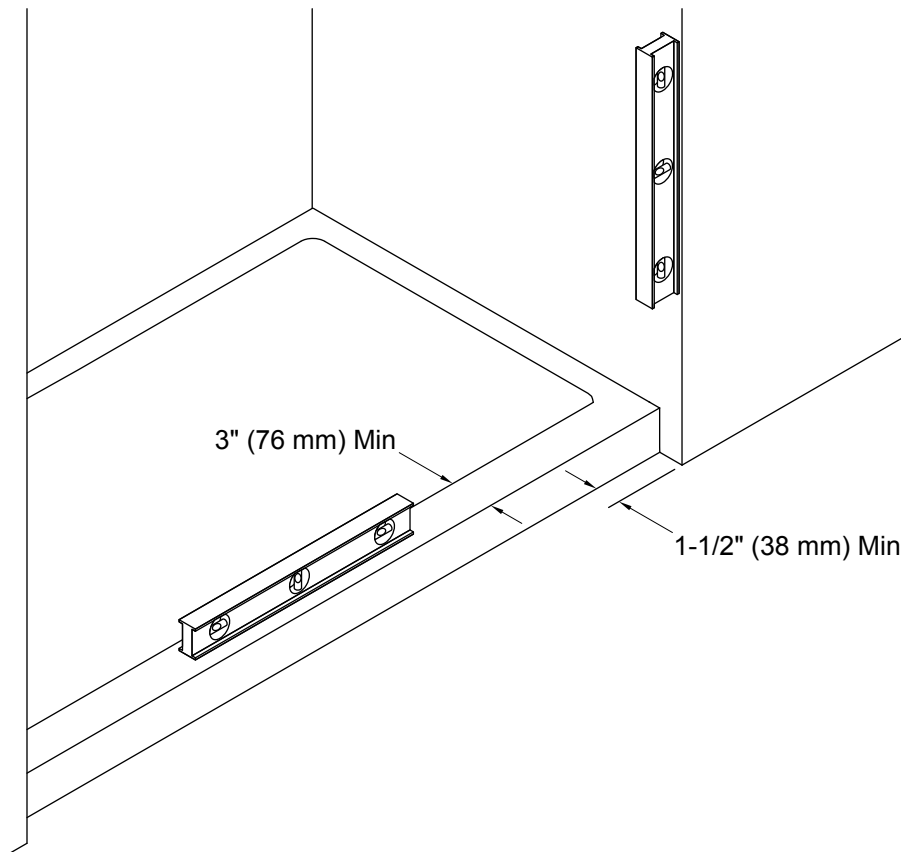
NOTE: The centerguide with "RH" is installed on the Left-Open configuration. The centerguide with "LH" is installed on the Right-Open configuration.

Determine whether the door will be installed in a Right-Open or Left-Open configuration.

It is recommended that the sliding panel be installed on the same side of the shower as the showerhead.

Select the centerguide that corresponds to the desired door configuration.

2. Confirm Ledge and Wall Compatibility



IMPORTANT! For proper door alignment and operation, confirm that the shower base and walls meet the following requirements. Do not install the door if these requirements are not met.

IMPORTANT! Do not install this door on a cast iron shower base.

IMPORTANT! Do not install this door if the receptor ledge and shower wall intersection is rounded.

Door 701724-10L is designed to be installed into shower openings 58-1/4" (1480 mm) to 59-1/4" (1505 mm) wide.

Door 701725-10L is designed to be installed into shower openings 57-1/4" (1454 mm) to 58-1/4" (1480 mm) wide.

Door 701726-10L is designed to be installed into shower openings 46-1/4" (1175 mm) to 47-1/4" (1200 mm) wide.

Door 701727-10L is designed to be installed into shower openings 45-1/4" (1149 mm) to 46-1/4" (1175 mm) wide.

The vertical opening should be a minimum of 83" (2108 mm).

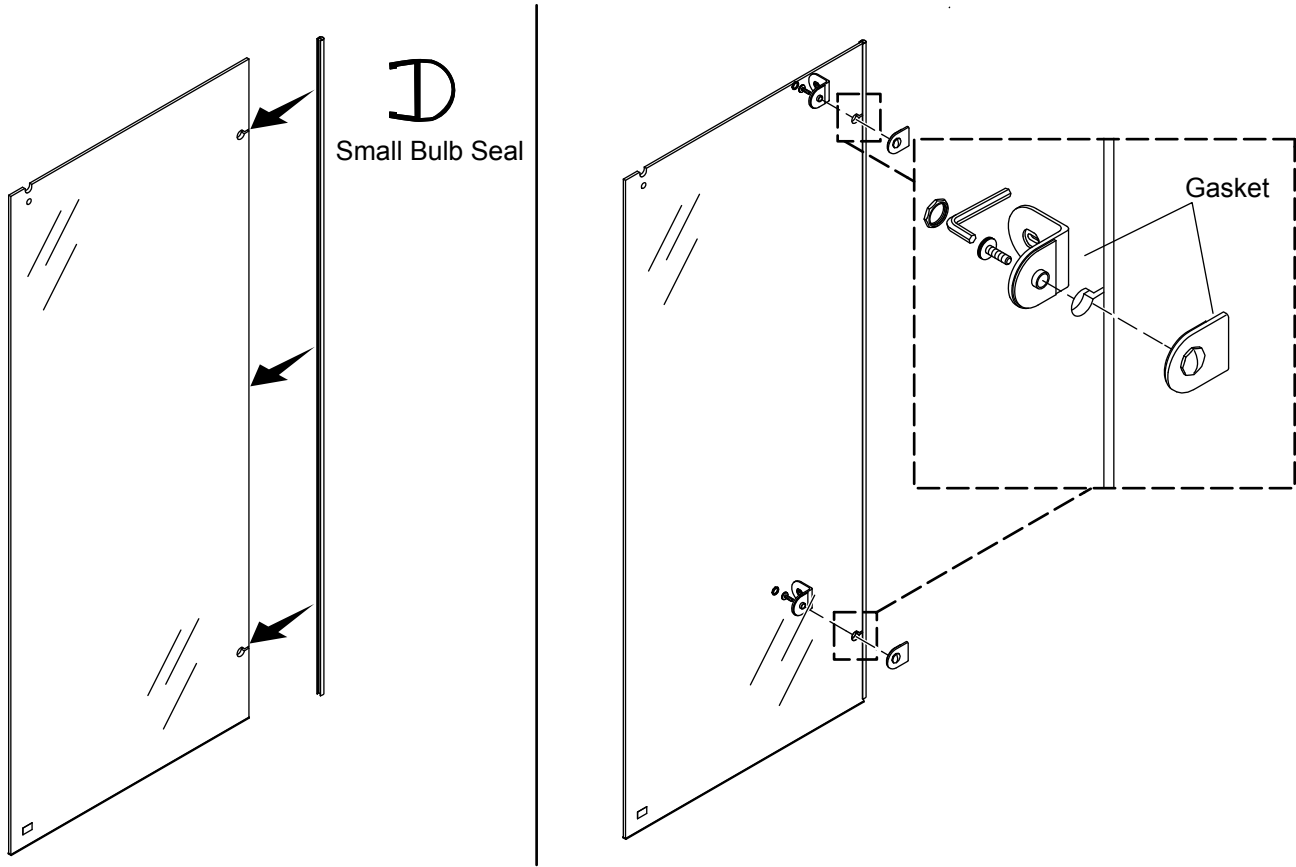
There must be at least 3" (76 mm) of flat surface on the shower base.

NOTE: If the shower base ledge has less than 3-1/2" (89 mm) of flat surface for installation, then there must be at least 1-1/2" (38 mm) of flat wall surface extending from the front edge of the shower ledge.

Walls must be within 3/8" (10 mm) of plumb.

The shower base must be level between the walls.

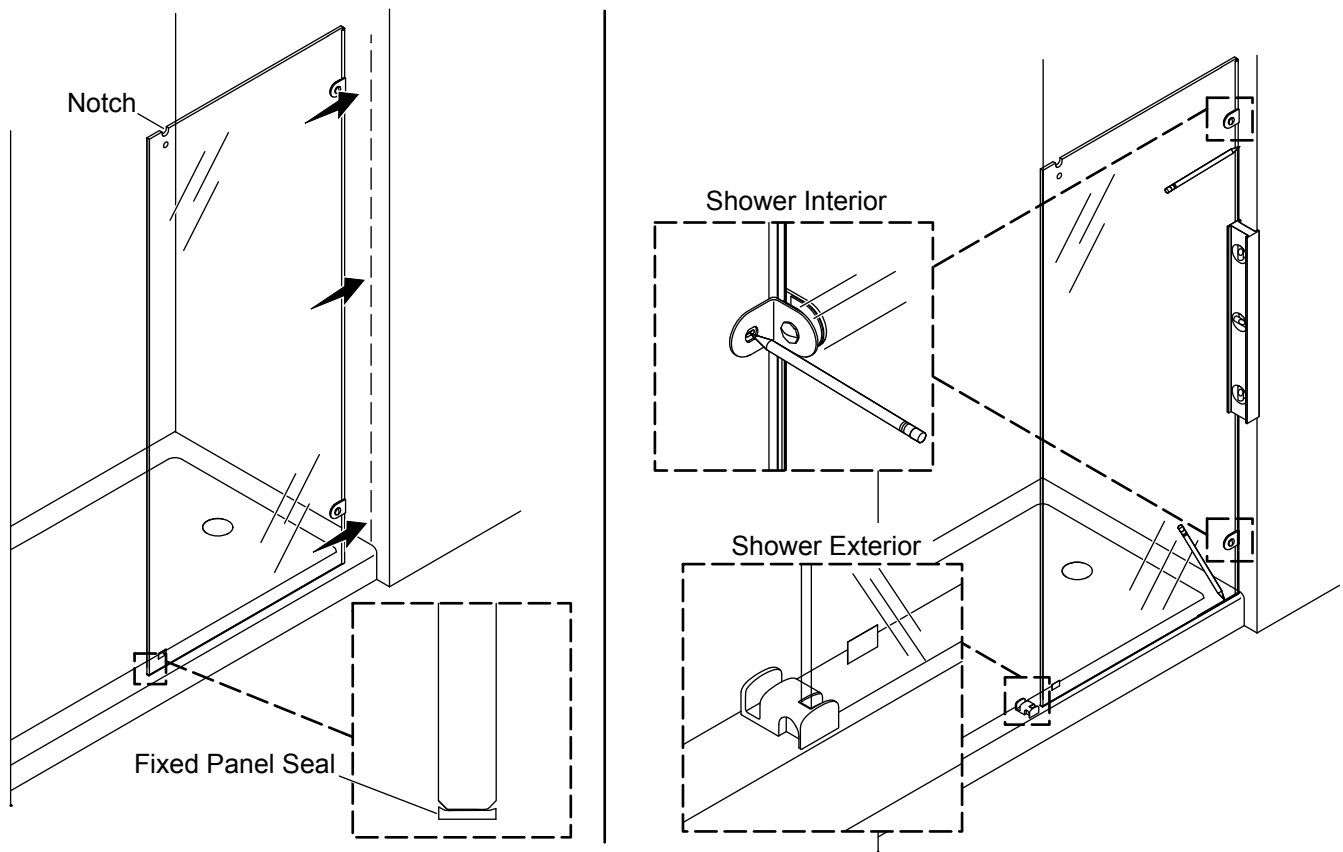
3. Assemble the Fixed Panel



⚠ CAUTION: Risk of personal injury. Tempered glass should not contact hard surfaces or it may shatter. Do not touch the edge of the tempered glass panel with tools or any hard objects.

- Remove the corner protectors from the top of the fixed panel.
- Install the small bulb seal to the edge of the panel with the slots.
- Remove the decorative cap from each wall bracket.
- Using a 4 mm hex wrench, disassemble the wall brackets.
- Verify that the plastic gaskets are installed on the wall brackets before securing to the fixed panel.
- Using a 4 mm hex wrench, loosely install the wall brackets onto the fixed panel.

4. Mark the Wall



IMPORTANT! Verify that the preinstalled fixed panel seal is on the bottom of the fixed panel.

NOTE: The notch is located toward the top and the center of the shower.

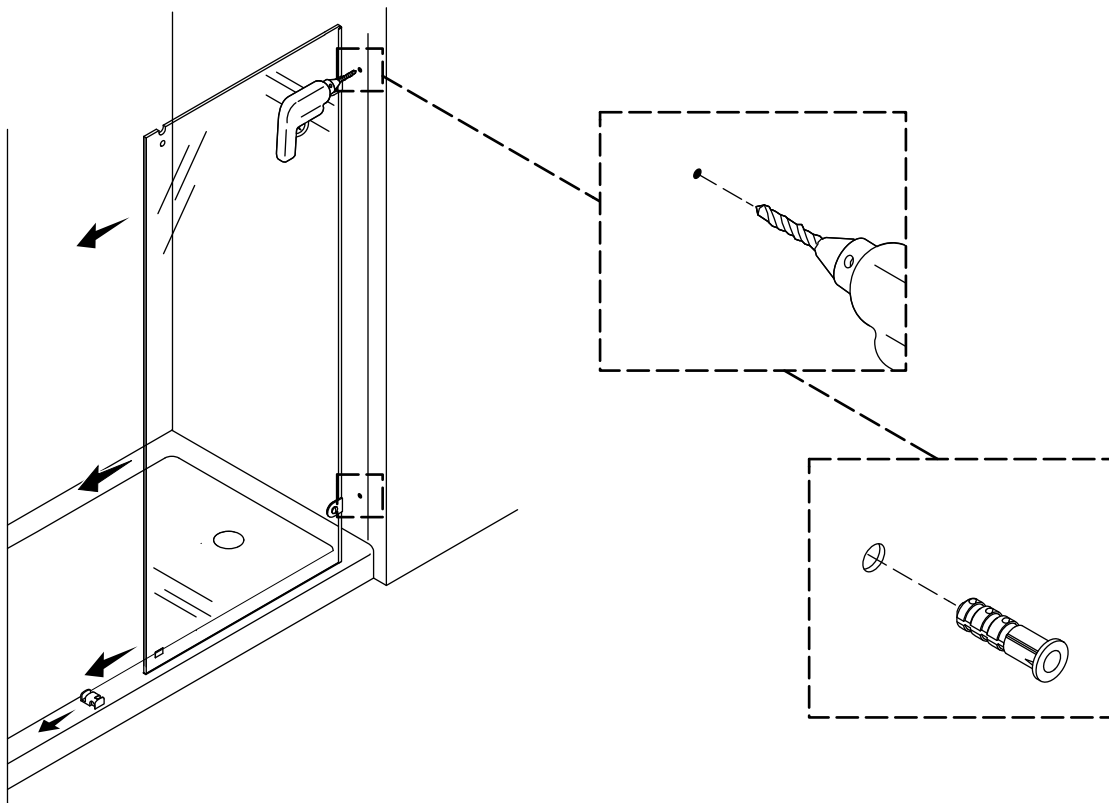
NOTE: Perform the following procedure with two people.

- Set the fixed panel on the shower ledge.
- Select the correct centerguide according to the "Determine the Door Configuration" section and slide the centerguide onto the bottom corner of the fixed panel.
- Move the centerguide and fixed panel so that the centerguide is even with the outside edge of the shower base ledge.

NOTE: If the shower walls do not extend beyond the shower base by a minimum of 1-1/2" (38 mm), then the shower base must have a minimum 3-1/2" (89 mm) of flat surface. Align the centerguide 1" (25 mm) from the outside edge of the shower base in this scenario.

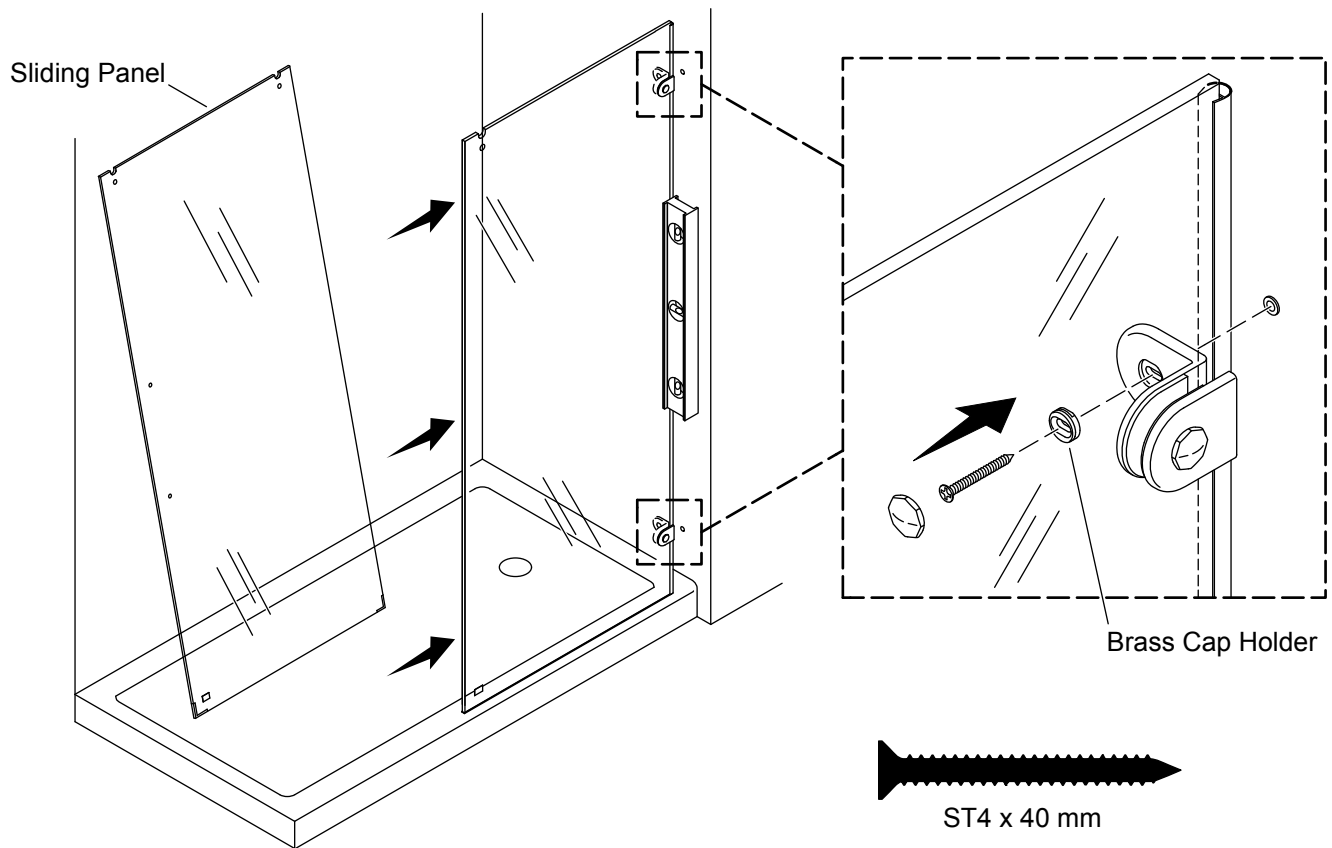
- Slide the panel tightly to the wall, and verify that the fixed panel brackets press tight against the wall.
- Fully tighten the fixed panel brackets on the fixed panel.
- Using a level, plumb the fixed panel.
- Mark the location of the fixed panel on the shower ledge and the wall.
- Mark the location of the holes in the fixed panel brackets.

5. Drill the Wall Bracket Holes



- Remove the centerguide and fixed panel from the shower base.
- Drill a 1/4" hole at each marked location. Use a masonry bit for tile walls.
- Install the provided wall anchors. If necessary, gently tap the anchors until they are flush against the wall.

6. Install the Fixed Panel



NOTE: The glass holes in the fixed panel allow 3/8" (10 mm) range of movement for the fixed panel brackets.

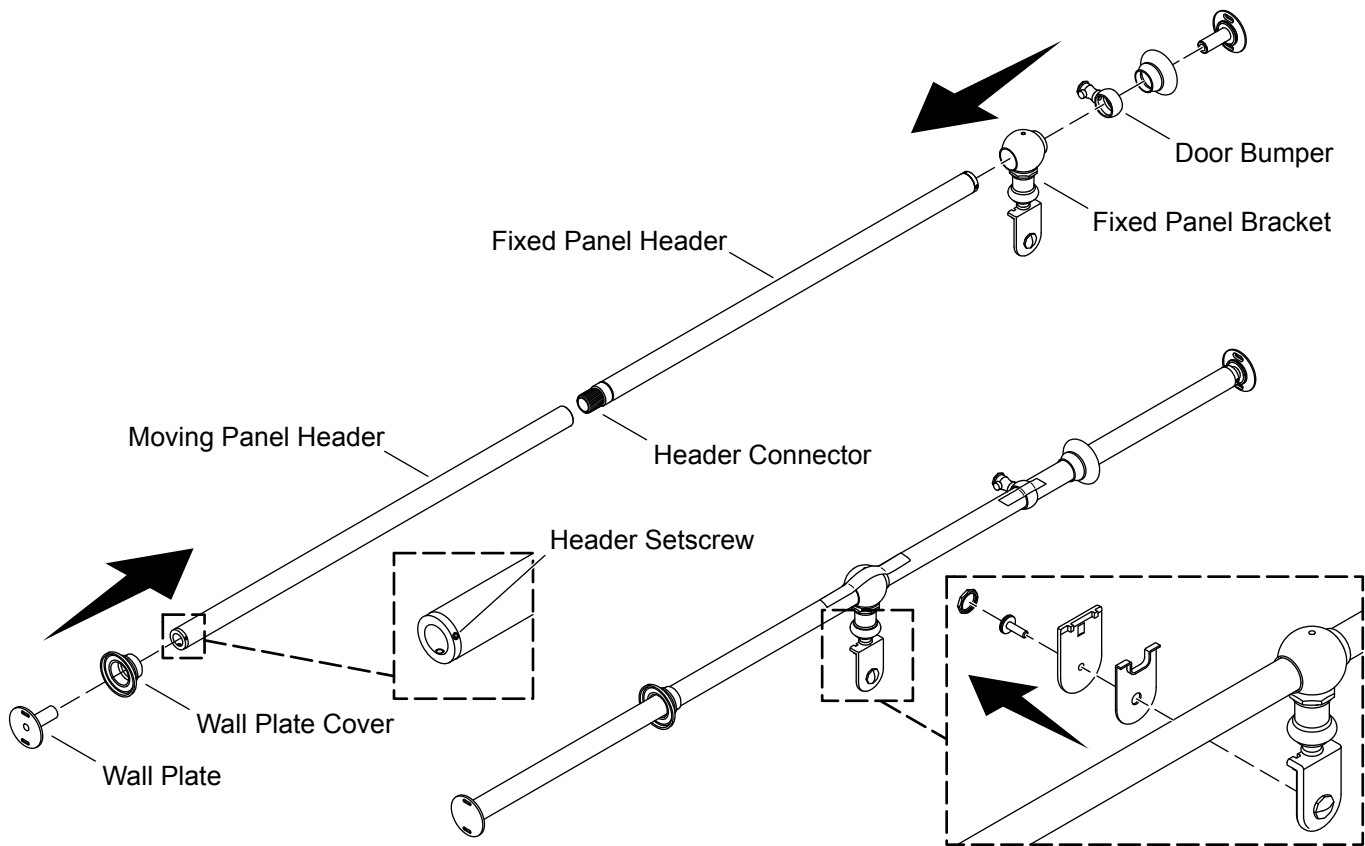
- With help, move the sliding panel completely into the shower area.
- Orient the sliding panel with the holes on top and the handle holes facing the showerhead.

NOTE: Do not remove the corner protectors from the sliding panel.

NOTE: The sliding panel will remain in the shower area until installation in the "Install the Sliding Panel" section.

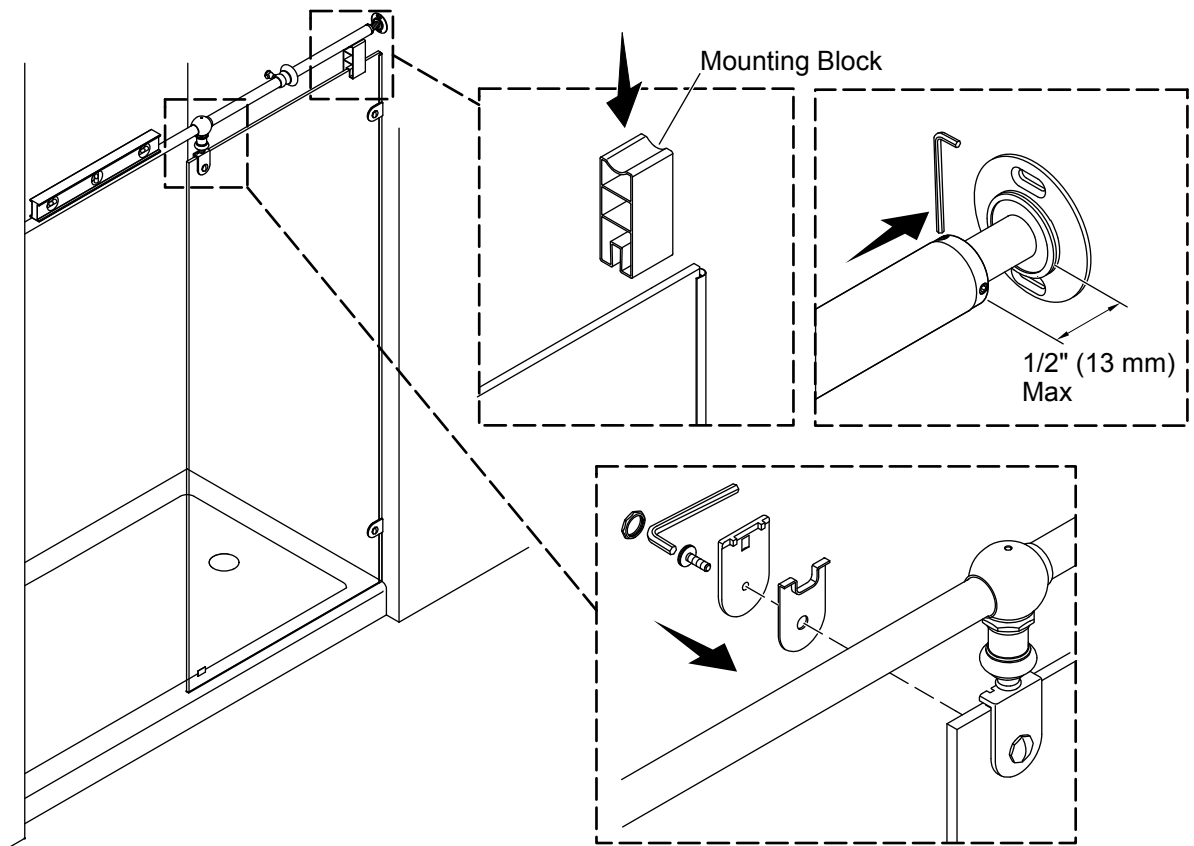
- Set the fixed panel on the shower base ledge at the previously marked position.
- Verify that the bottom of the fixed panel rests fully on the shower base.
- If needed, loosen the wall brackets and push the wall brackets tightly to the wall. Retighten the wall brackets.
- Place a brass cap holder over an ST4 x 40 mm (1-1/2") screw so that the screwhead is recessed into the brass cap holder and secure each wall bracket to the wall.
- Align the bottom of the fixed panel with the previously marked line and verify that the fixed panel is plumb. If the fixed panel is not plumb, loosen the wall brackets and adjust as needed.
- Install a decorative cap onto the brass cap holder.
- Slide the bulb seal to the wall if there is a gap between the fixed panel and the wall.

7. Assemble the Header



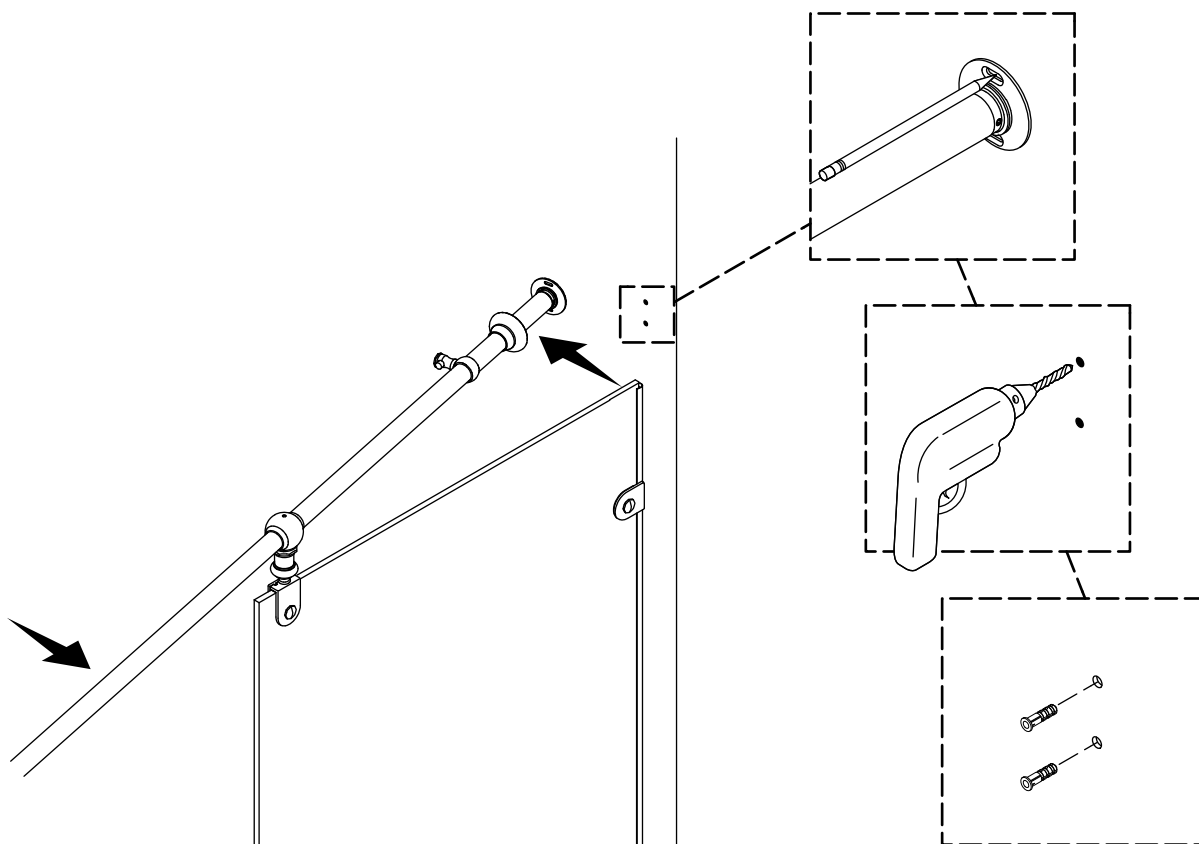
- For identification during installation, place a piece of painters tape on the fixed panel header. The fixed panel header will be located above the fixed panel.
- Thread the moving panel header and the fixed panel header together.
- Remove the decorative cap from the fixed panel bracket.
- Using a 4 mm hex wrench, disassemble the fixed panel bracket.
- Slide the fixed-panel bracket onto the header and position where the two tubes connect. Tape the fixed-panel bracket in place.
- Slide on the door bumper with the rubber stop pointing toward the center of the header and tape in place.
- Install a wall plate cover and wall plate on each end of the header. Verify that the wall plates are flush with the ends of the header.
- Using a 2.5 mm hex wrench, tighten one of the three header setscrews on each end of the header to keep the wall plates from falling out of the header.

8. Install the Header



- Position the mounting block on top of the fixed panel near the wall.
- Lift the header assembly and align the fixed panel bracket with the hole and notch in the fixed panel.
- Remove the tape from the fixed panel bracket.
- Using a 4 mm hex wrench, connect the fixed panel bracket to the fixed panel. Verify that the header is centered between the walls.
- Using a 2.5 mm hex wrench, loosen the header setscrews and slide the wall plates outward so that they touch the walls.
- Verify that the header is centered between the walls and that the wall plates do not extend more than 1/2" from each side of the header.
- Rotate the wall plates so that the holes are on the top and bottom.
- Tighten one of the header setscrews on each end to keep the wall plates in place.
- Align the header so it is parallel horizontally and vertically with the fixed panel along the full length of the header.
- Level the header.

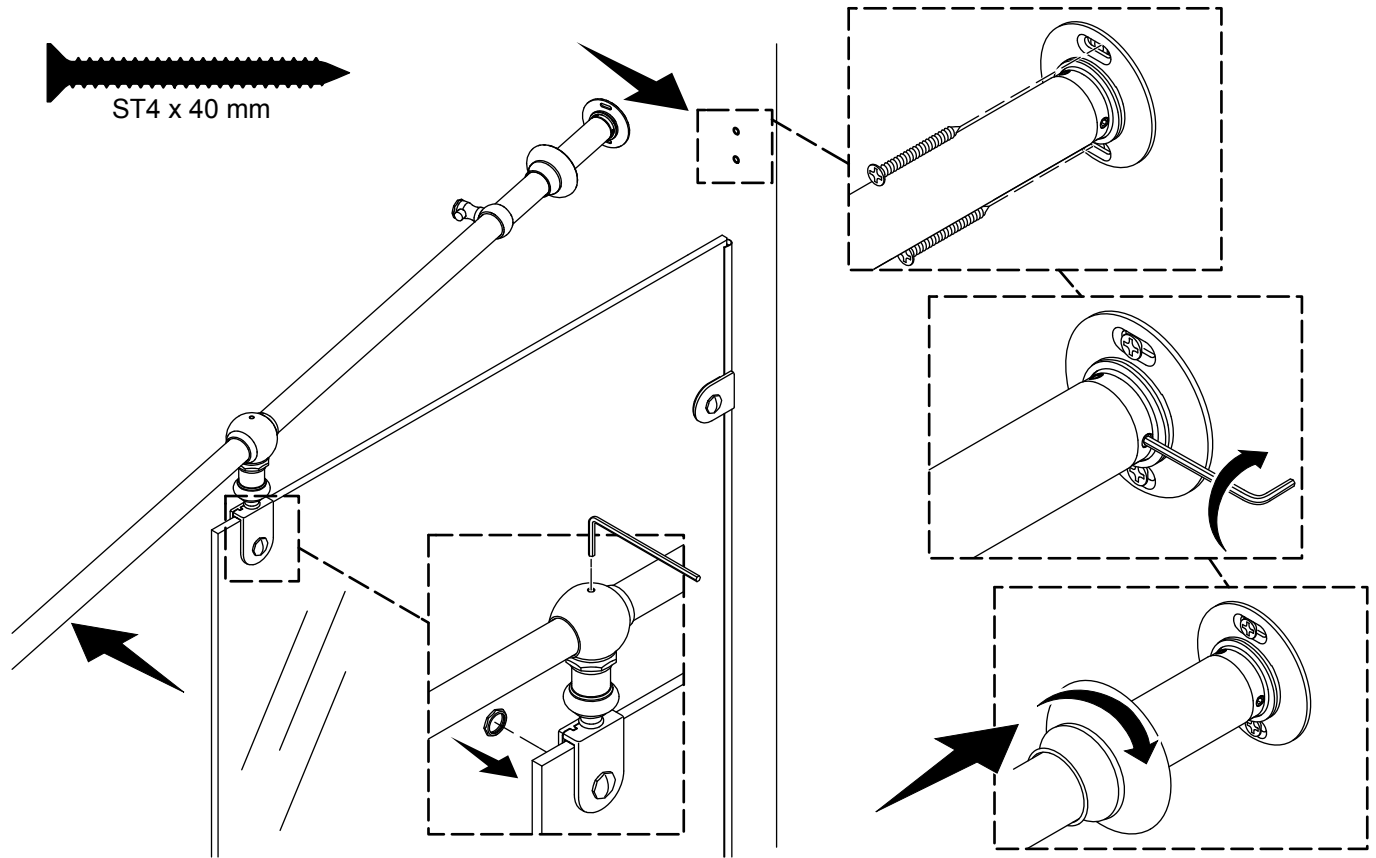
9. Mark the Wall Plate Holes



IMPORTANT! The holes in the wall plates should be positioned at the top and bottom of the wall plates when installed.

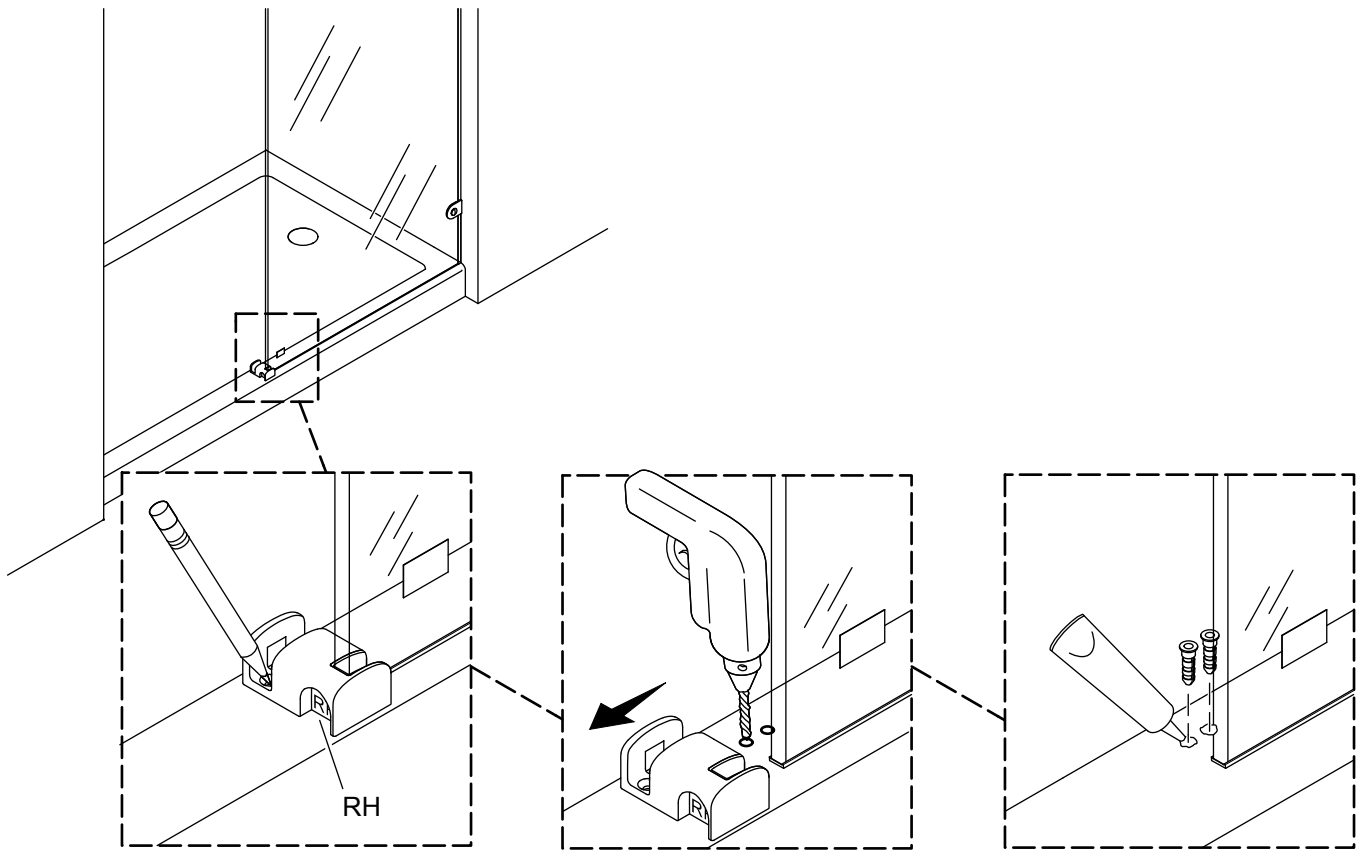
- Verify that the bottom of the fixed panel is positioned at the previously marked line on the shower base.
- Mark the location of the wall plate holes on the shower walls.
- Rotate the header slightly so it does not impede with drilling the wall plate holes.
- Remove the mounting block from the fixed panel.
- Drill a 1/4" hole at each marked location. Use a masonry bit for tile walls.
- Install the provided wall anchors. If necessary, gently tap the anchors until they are flush against the wall.

10. Secure the Header



- Pivot the header so that the wall plates line up with the drilled holes.
- Verify that the wall plates are tight against the wall.
- Using a long screwdriver, secure each wall plate to the wall with two ST4 x 40 mm (1-1/2") screws.
- Center the header between the wall plates and tighten all the header setscrews with a 2.5 mm hex wrench.
- Thread a wall plate cover onto each wall plate.
- Using a 2.5 mm hex wrench, tighten the top setscrew of the fixed panel bracket.
- Place a decorative cap over the fixed panel bracket screw.

11. Prepare the Centerguide

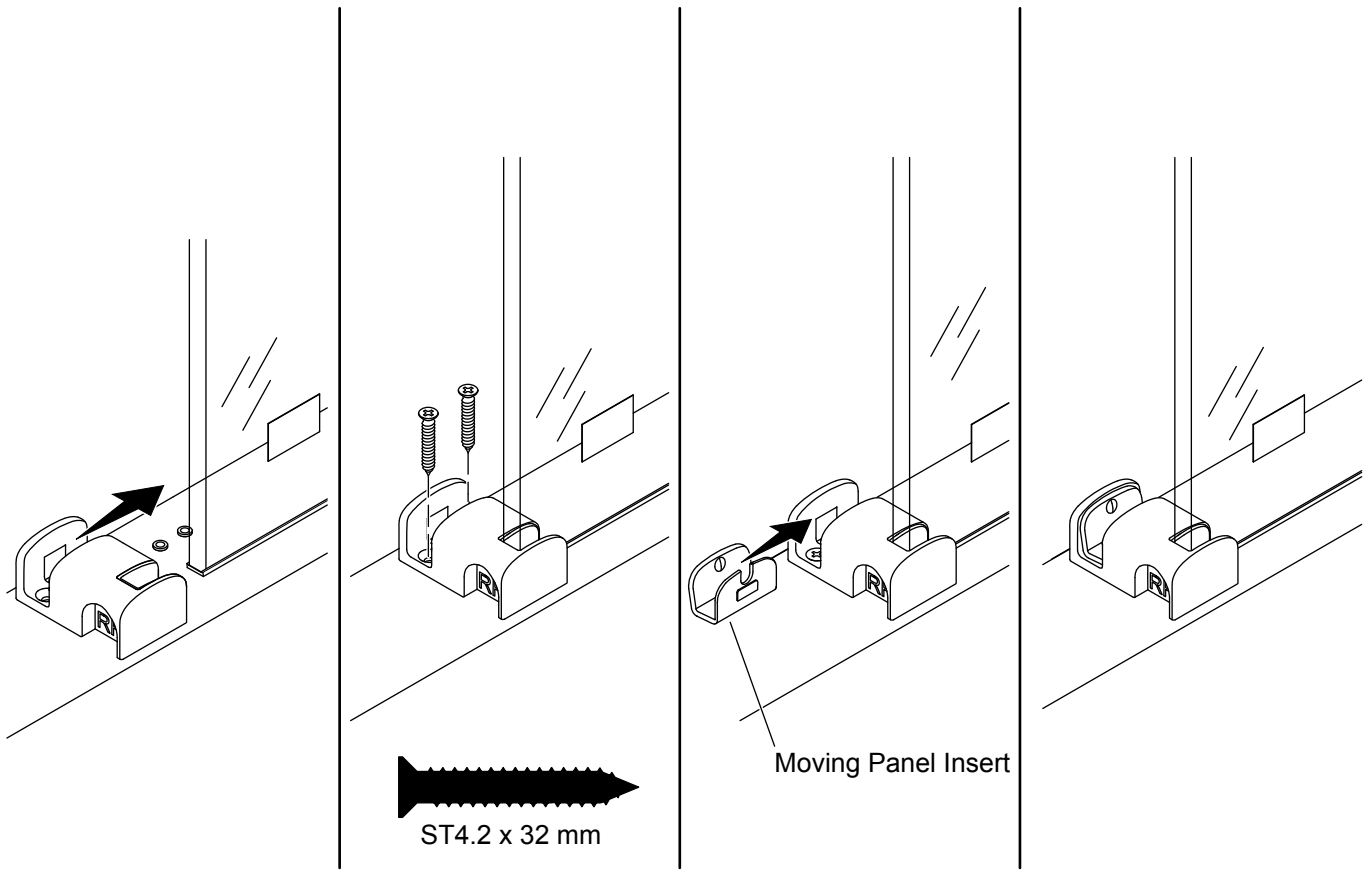


NOTE: There are different centerguides for left-open and right-open installations. Install the centerguide selected in the “Determine Door Configuration” section.

NOTE: Left-open configuration is shown.

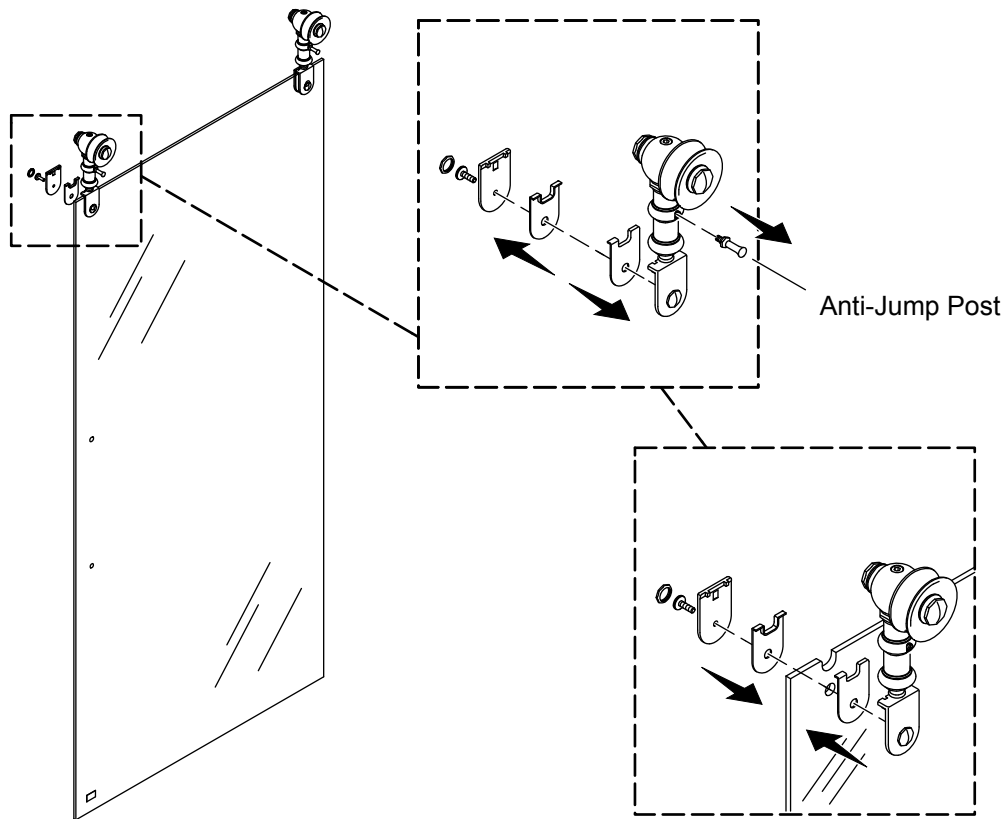
- Slide the centerguide onto the bottom corner of the fixed panel.
- With a pencil, mark the two centerguide holes on the shower base.
- Remove the centerguide.
- Drill a 1/4" hole at each marked location. Use a masonry bit for tile shower bases.
- Apply 100% silicone sealant into the holes and install the provided anchors. If necessary, gently tap the anchors until they are flush. Apply more 100% silicone sealant onto the anchors.

12. Install the Centerguide



- Slide the centerguide onto the bottom corner of the fixed panel.
- Secure the centerguide to the shower base ledge using two ST4.2 x 32 mm (1-1/4") screws.
- Press the button on the interior of the centerguide channel and slide the moving panel insert into the centerguide channel until the moving panel insert clicks into place.

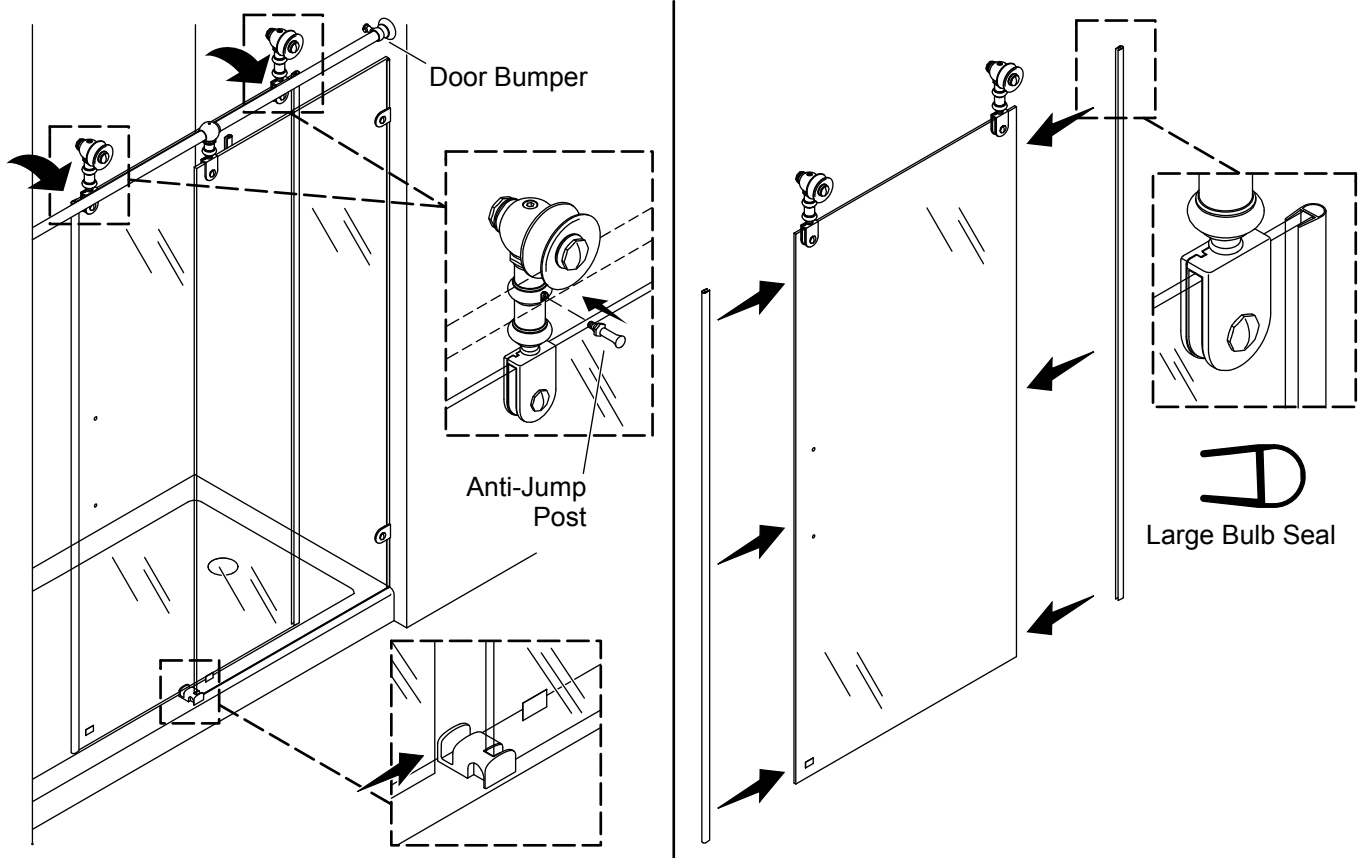
13. Assemble the Sliding Panel



NOTE: The rollers should be installed on the panel so that they face the outside of the shower and the handle holes point toward the showerhead.

- Remove the corner protectors from the top two corners of the panel.
- Remove the decorative cap from each roller.
- Using a 4 mm hex wrench, disassemble the rollers.
- Unthread the anti-jump posts and set aside. If necessary, use an adjustable wrench.
- Secure the rollers onto the sliding panel.

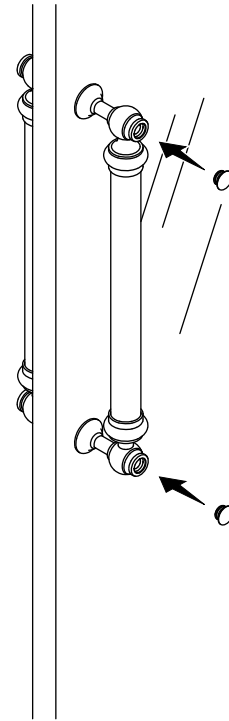
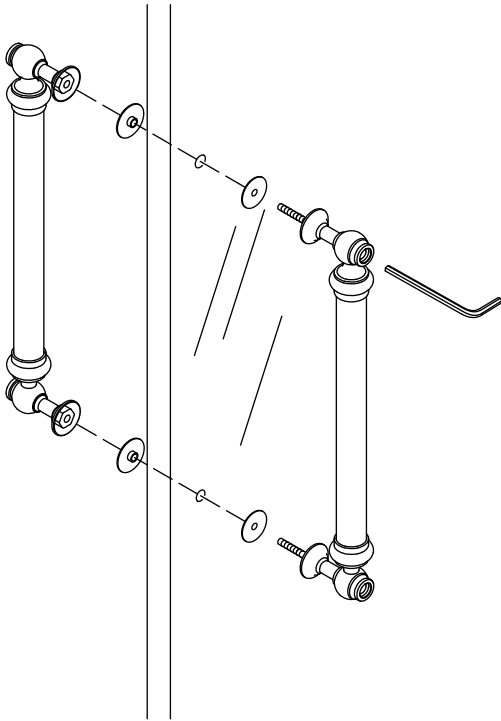
14. Install the Sliding Panel



IMPORTANT! Failure to reinstall the anti-jump posts may result in the sliding panel falling off the track.

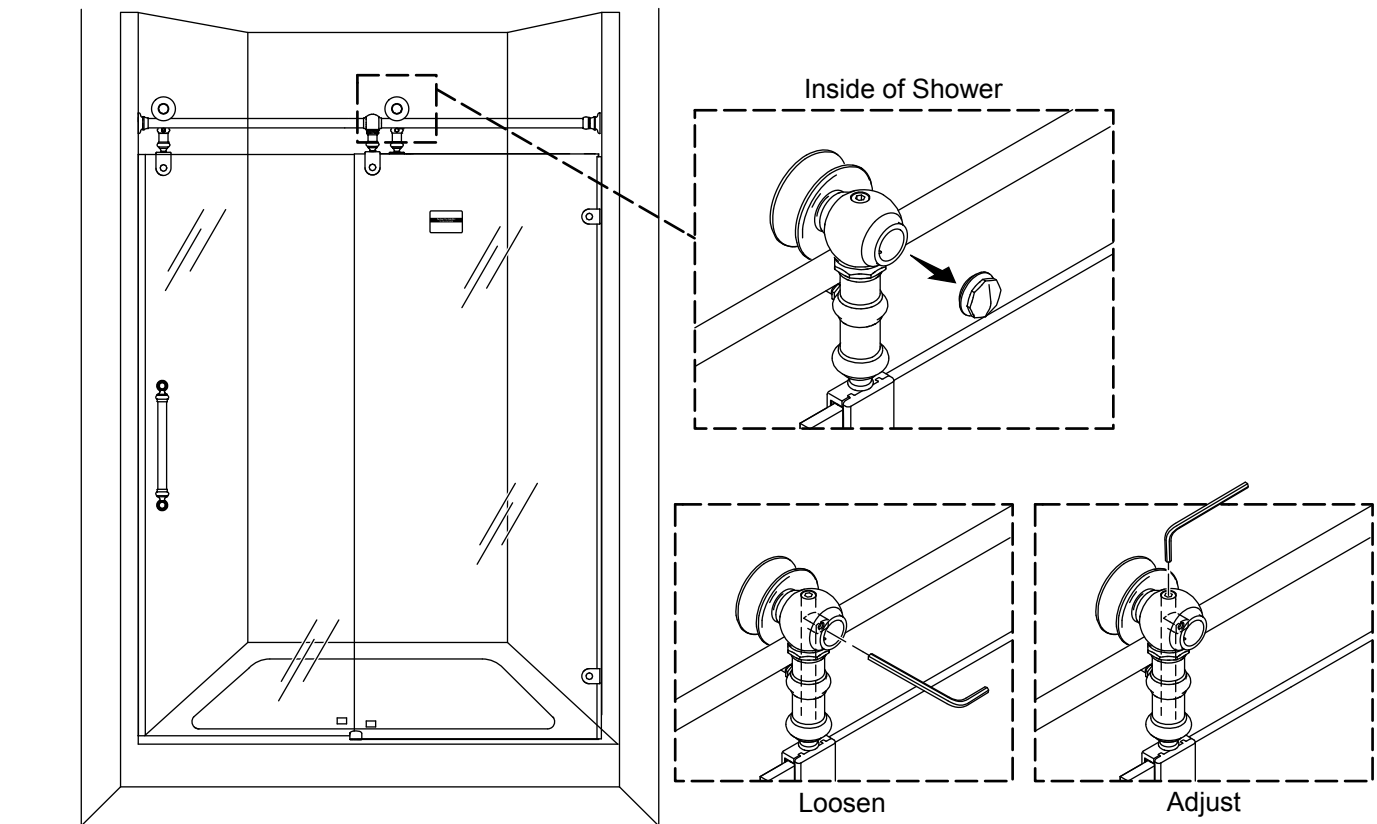
- Slide the door bumper to the shower wall.
- With help, lift the panel and set the rollers onto the header. Verify that the bottom of the panel is in the centerguide channel.
- Thread the anti-jump posts into the roller brackets. If necessary, use an adjustable wrench.
- Remove the corner protectors from the bottom of the sliding panel.
- Verify that the bulb seals are the same length. Install the large bulb seals on both vertical edges of the sliding panel.

15. Install the Handles



- Slide bolts through the holes in the outside handle (with the "KOHLER" logo).
- Place a bushing over each bolt.
- Slide the bolts in the outside handle through the holes in the panel, keeping the "KOHLER" logo on the bottom.
- Place a bushing over the bolts on the inside of the panel.
- Position the inside handle over the bolts and tighten both bolts with a 5 mm hex wrench.
- Press covers over the outside handle holes.

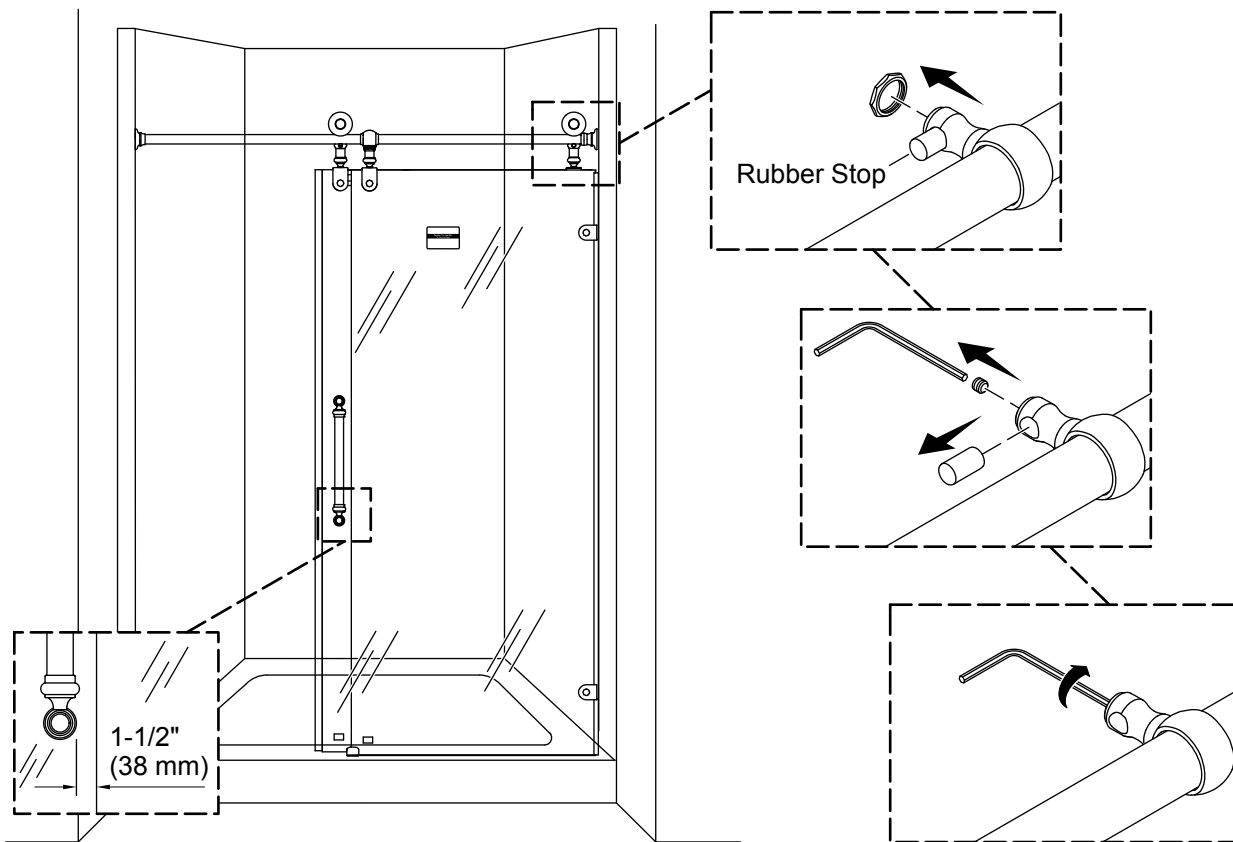
16. Adjust the Sliding Panel



⚠ CAUTION: Risk of product damage. Loosening the top screw beyond where the O-ring becomes visible can cause the glass panel to drop and break.

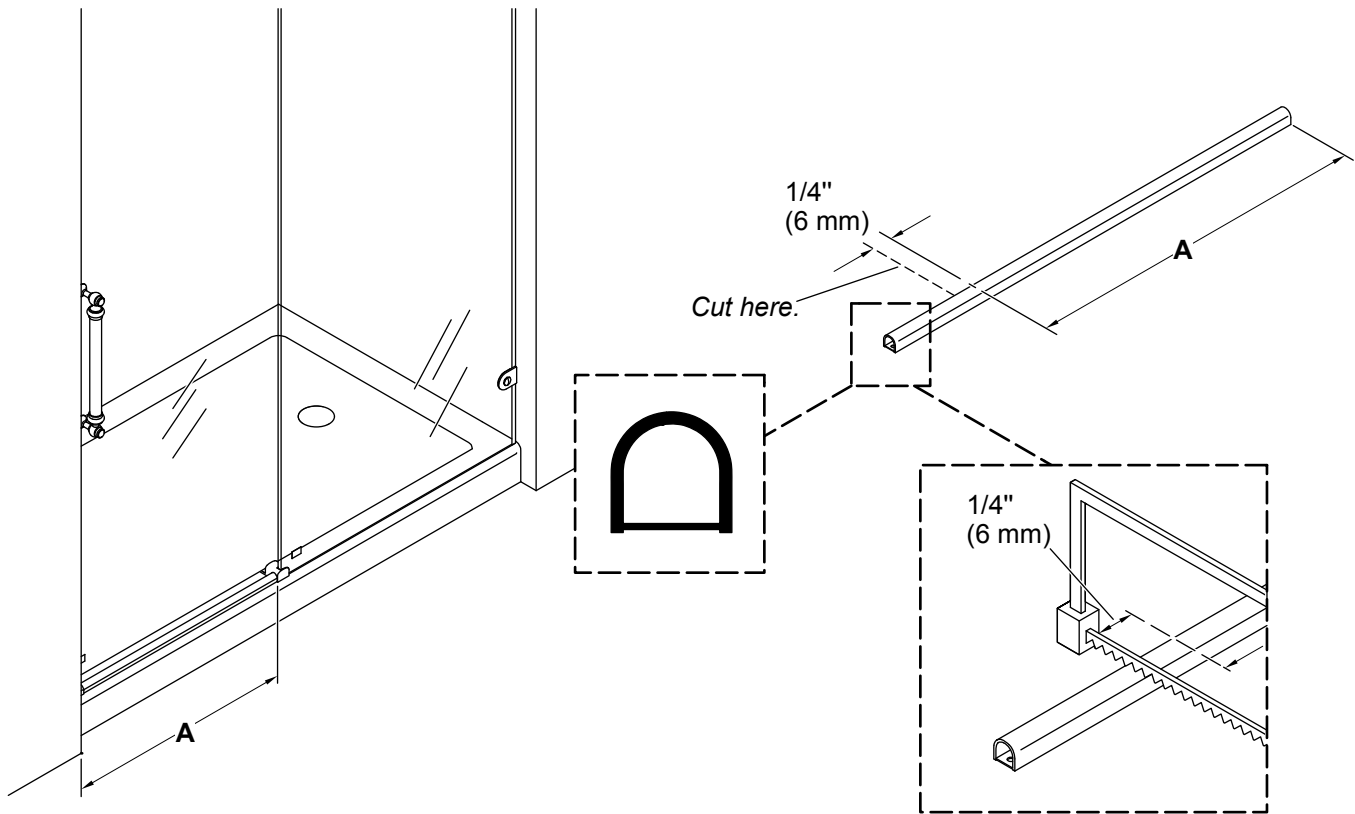
- Move the sliding panel against the wall. If the seal fully contacts the shower wall, proceed to the "Secure the Door Bumper" section.
- Unthread the screw cover to gain access to the lock screw.
- Using a 2.5 mm hex wrench, loosen the lock screw.
- Using a 6 mm hex wrench, rotate the screw on the top of the roller bracket to adjust the panel up or down.
- Adjust the sliding panel so that the seal contacts the shower wall evenly along its entire length.
- When the sliding panel is plumb with the shower wall, tighten the lock screw and reinstall the screw cover.

17. Secure the Door Bumper



- Open the sliding panel so the handle is 1-1/2" (38 mm) away from the edge of the fixed panel. Verify that the handle is not touching the edge of the fixed panel.
- From inside the shower, slide the door bumper so that the rubber stop contacts the roller bracket and tape into place.
- Remove the decorative cover on the door bumper.
- Using a 3 mm hex wrench, remove the setscrew and rubber stop to gain access to the interior setscrew.
- Using a 3 mm hex wrench, tighten the interior setscrew until the door bumper is secure.
- Reinstall the rubber stop with the flat part facing the interior of the shower and secure with the setscrew.
- Reinstall the decorative cover onto the door bumper.

18. Measure and Cut the Threshold



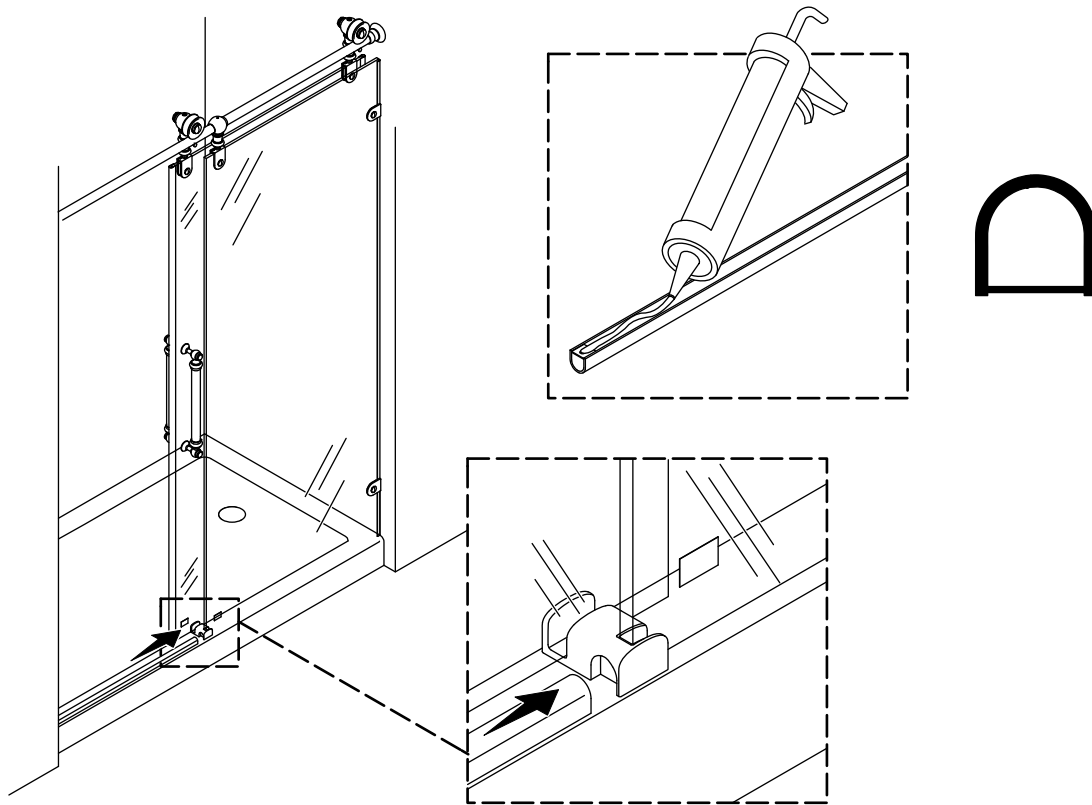
⚠ WARNING: Risk of serious injury. Always wear safety glasses while cutting and drilling.

- Measure distance "A" between the shower wall and the edge of the centerguide.
- Add 1/4" (6 mm) to "A" and make a second mark on the threshold, as shown.

NOTE: If "A" plus 1/4" (6 mm) is greater than the supplied threshold length, there is no need to cut the threshold.

- Cut the threshold at the second mark and file any rough edges.

19. Install the Threshold



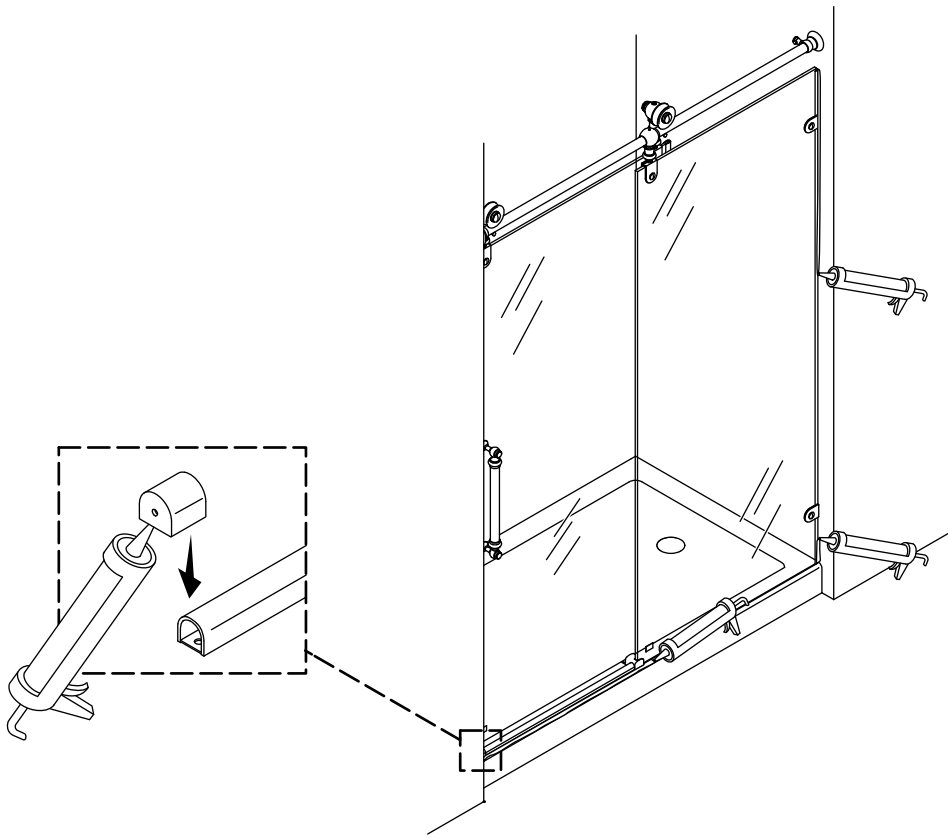
NOTE: For ease of installation, angle the threshold when inserting into the notch in the centerguide.

- Dry fit the threshold to verify fit. Remove the threshold.

NOTE: The threshold cover will cover any gap between the threshold and the wall.

- Apply 100% silicone sealant to the underside of the threshold.
- Slide one end of the threshold into the notch in the centerguide and align the threshold with the front edge of the receptor.

20. Complete Installation



- Apply 100% silicone sealant to the underside of the threshold cover.
- Place the threshold cover over the end of the threshold closest to the wall.
- Push the threshold cover to the wall if there is a gap.
- Apply 100% silicone sealant along the front edges of the threshold cover, the threshold, the centerguide, and the fixed panel.
- Push the small bulb seal on the fixed panel against the wall to eliminate any gaps.
- Apply 100% silicone sealant along the inside and outside vertical edges of the fixed panel.

Troubleshooting

This troubleshooting guide is for general aid only. For warranty service, contact your dealer, wholesale distributor, or call 1-800-4KOHLER.

Symptoms	Probable Cause	Recommended Action
1. The door is noisy when opened or closed.	<p>A. The sliding panel is too low and scrapes on the centerguide or shower base.</p> <p>B. The centerguide insert is installed incorrectly.</p> <p>C. The rollers have worn and are noisy.</p> <p>D. The header setscrews are not tightened on the wall plates.</p> <p>E. The handle is loose.</p>	<p>A. Adjust the rollers to raise the glass.</p> <p>B. Reinstall the centerguide insert.</p> <p>C. Replace the roller assembly.</p> <p>D. Remove the wall plate covers and tighten the setscrews.</p> <p>E. Tighten the handle.</p>
2. The door is hard to move or does not open or close.	<p>A. The sliding panel is too low and scrapes on the centerguide or shower base.</p> <p>B. The centerguide insert is installed incorrectly.</p> <p>C. The rollers have worn.</p>	<p>A. Adjust the rollers to raise the glass.</p> <p>B. Reinstall the centerguide insert.</p> <p>C. Replace the roller assemblies.</p>
3. The sliding panel will not stay closed.	<p>A. The header is not level.</p> <p>B. A magnetic closure may be needed.</p>	<p>A. Level the header. This may require new holes to be drilled into the shower wall.</p> <p>B. Contact the Customer Care Center for an optional closure.</p>
4. Water leaks.	<p>A. Water leaks under the fixed panel.</p>	<p>A. Apply 100% silicone sealant to the outside bottom edge of the fixed panel. Allow the sealant to cure according to the manufacturer's instructions before using the shower.</p> <p>B. Verify that the fixed panel is resting on the receptor ledge the full length of the fixed panel. If the corner near the centerguide is lifted up, the shower is too far out of plumb. Shim the wall clips to keep the fixed panel tight to the receptor ledge.</p>
5. Water leaks.	<p>A. Water leaks between the fixed panel and the wall.</p>	<p>A. Verify that the bulb seal is installed and that silicone is applied.</p> <p>B. Slide the bulb seal so that it touches the wall. Apply silicone between the seal and the wall on the outside and inside.</p> <p>C. Your wall may be too far out of plumb. Contact the Customer Care Center for a larger bulb seal. Installation of the larger bulb seal will require complete disassembly of the door.</p>

Symptoms	Probable Cause	Recommended Action
6. Water leaks.	A. Water leaks between the sliding panel and the wall.	<p>A. Adjust the moving panel so that there is no gap between the bulb seal and the shower wall.</p> <p>B. Close the sliding panel and slide the bulb seal so it contacts the shower wall the entire length of the panel.</p> <p>C. Contact the Customer Care Center for an optional closure.</p>
7. Water leaks.	A. Water leaks between the sliding panel and the fixed panel.	A. Contact the Customer Care Center to obtain two fin seals. Install a fin seal on the fixed panel and on the moving panel.
8. Water leaks.	A. Water leaks under the sliding panel.	<p>A. Lower the sliding panel according to the "Adjust the Sliding Panel" section.</p> <p>B. Contact the Customer Care Center to obtain improved water containment seals.</p>
9. The handle hits the fixed panel when the door is opened.	A. The door bumper is not installed correctly.	A. Adjust the door bumper location according to the "Secure the Door Bumper" section.
10. The fixed panel rattles.	<p>A. The wall brackets are loose.</p> <p>B. The wall bracket gaskets are missing.</p>	<p>A. Tighten the wall brackets.</p> <p>B. Remove the wall brackets and install the gaskets.</p>