

## Features

- High-quality solid-brass construction for durability and reliability
- Widespread bath faucet for 8" (203 mm) - 26" (660 mm) centers
- Required rough-in sold separately (P19303-00-NA)
- Diverter, handshower, and handshower trim sold separately
- Spout reach is 7-5/16" (186 mm)

## Required Products/Accessories

P19303-00 3/4" Ceramic High-Flow Valve System

## Recommended Products/Accessories

P24653-00 Single-function Handshower and Hose with 1.75 GPM  
P21931-00 Traditional Drain Trim Kit  
P34600-00 Towel Bar, 24"



**ADA**

## Codes/Standards




ASME A112.18.1/CSA B125.1  
ADA

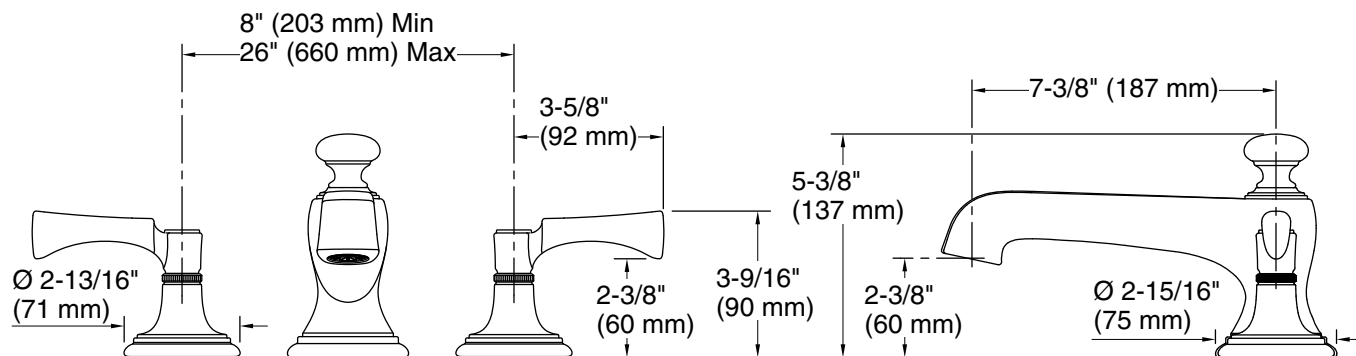
## KALLISTA® Five-Year Limited Warranty

See website for detailed warranty information.

## Available Colors/Finishes

*Color tiles intended for reference only.*

| Color                                                                               | Code | Description       |
|-------------------------------------------------------------------------------------|------|-------------------|
|  | AD   | Nickel Silver     |
|  | CP   | Polished Chrome   |
|  | ULB  | Unlacquered Brass |



## Technical Information

All product dimensions are nominal.

### Spout:

Spout reach: 7-5/16" (186 mm)

## Notes

ADA compliant when installed to the specific requirements of these regulations.