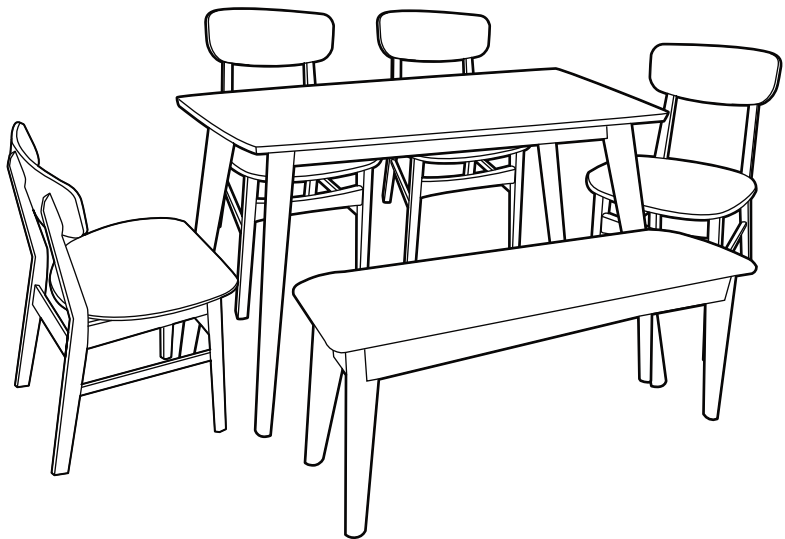




BEST CHOICE
PRODUCTS



INSTRUCTION MANUAL

6-Piece Upholstered Dining
Set with Bench



**BEST CHOICE
PRODUCTS**

As shoppers, we're always trying to find the perfect balance between quality & value. At BCP, we believe we've achieved that. Our diverse catalog of everyday essentials is tailored especially to our customers & guaranteed to hit that sweet spot of high quality & low price.

———— **Always.** ————

NOTICE

- Please do not exceed the weight limitations of this item.
- Do not stand on or use any part of this item as a step ladder.
- Firmly secure all bolts, screws, or knobs before use.
- Reconfirm that all bolts, screws, or knobs are secure every 90 days.
- Fasten screws loosely during initial assembly. Do not firmly tighten the screws until the item is completely assembled.
- Do not use or store this item in the proximity of open flame or flammable/combustible chemicals.
- Be aware that some parts are heavy and have sharp edges.
- Assemble this item on a flat, level, and stable surface for an ideal construction.
- This product is intended for indoor use only.
- If any parts are missing, broken, damaged, or worn, stop using this product until repairs are made and/or factory replacement parts are installed.
- Do not use this item in a way inconsistent with the manufacturer's instructions as this could void the product warranty.
- This product is intended for residential use only.

TOOLS REQUIRED



330 LBS
TABLE
CAPACITY



300 LBS
BENCH
CAPACITY



275 LBS
CHAIR
CAPACITY



2 PERSON
ASSEMBLY



UP TO 60 MIN.
ASSEMBLY

HARDWARE

1 M8 X 60MM
HEX BOLT



8 PCS

2 5/16" SPRING
WASHER



8 PCS

3 5/16" FLAT
WASHER



16 PCS

4 Ø25 X 2MM
FOOT PAD



4 PCS

5 M6 X 50MM
BOLT



16 PCS

6 M6 X 30MM
BOLT



16 PCS

7 1/4" SPRING
WASHER



40 PCS

8 M6 FLAT
WASHER



32 PCS

HARDWARE

9 #8 x 1-1/4" SCREW



16 PCS

10 M8 DOWEL



8 PCS

11 Ø14.5 X 9MM WOOD BUTTON



16 PCS

12 Ø15 X 2MM FOOT PAD



20 PCS

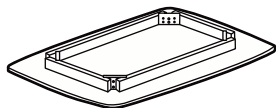
13 M6 X 60MM BOLT



8 PCS

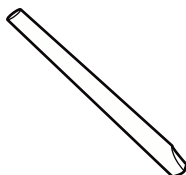
PARTS

A TABLE TOP



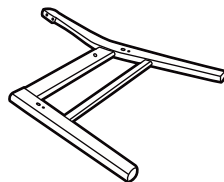
1 PC

B TABLE LEG



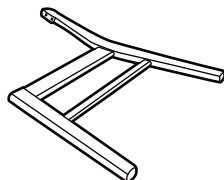
4 PCS

C RIGHT CHAIR FRAME



4 PCS

D LEFT CHAIR FRAME



4 PCS

E CHAIR LONG SUPPORT



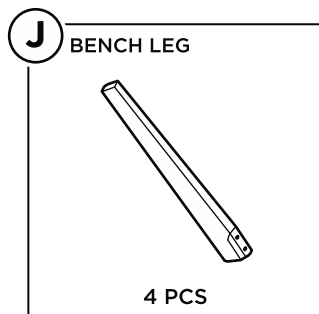
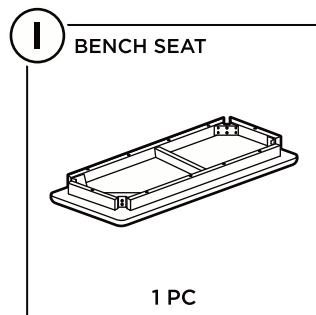
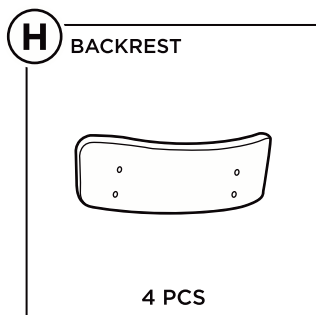
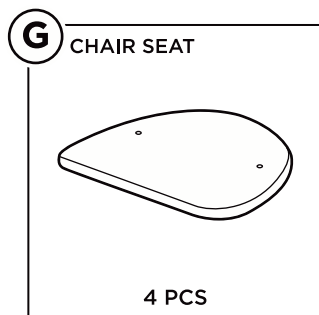
4 PCS

F CHAIR SHORT SUPPORT



4 PCS

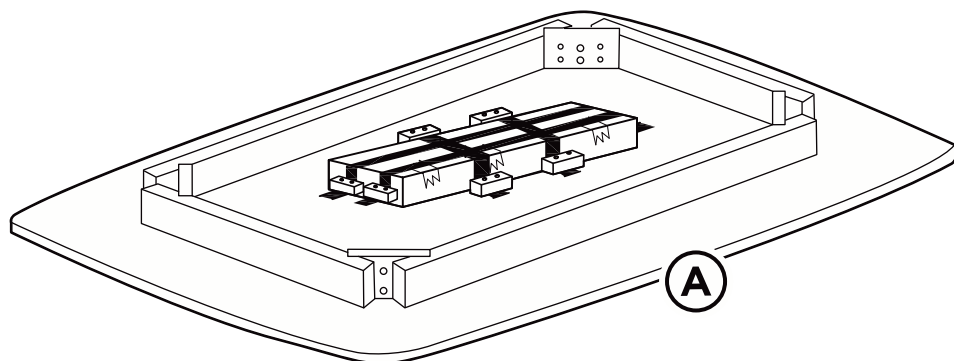
PARTS



PACKAGING REMOVAL (BEFORE ASSEMBLY)

1

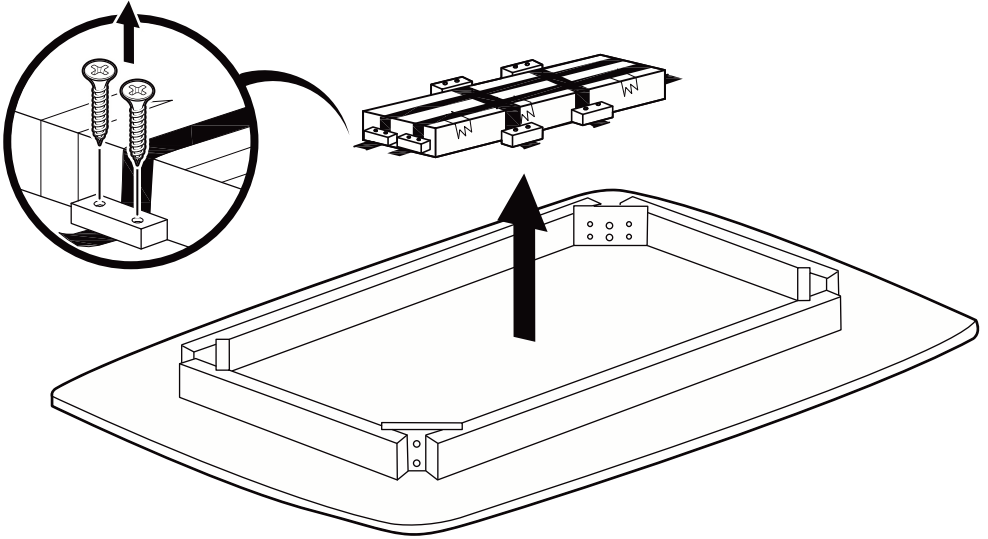
Place the **part A table top** face down on a padded, level surface to prevent scratches.



PACKAGING REMOVAL (BEFORE ASSEMBLY)

2

Locate the protective packaging in the center of the table top and use a screwdriver to remove the two screws on each wooden cleat, sixteen screws total. Set aside.



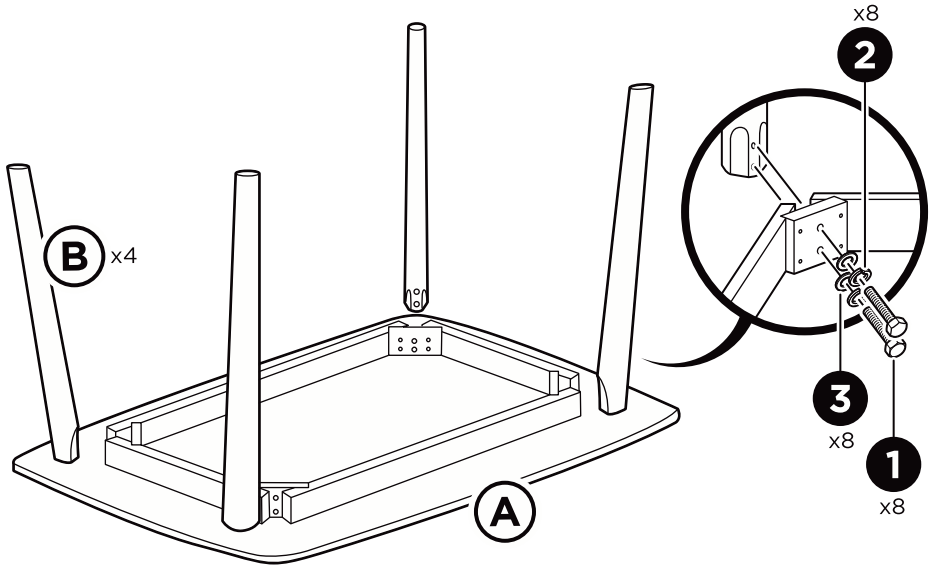
Lift the protective packaging off the tabletop then set aside and proceed to product assembly.

PRODUCT ASSEMBLY (TABLE)

1

Place the **part A table top** upside down on a flat level surface.

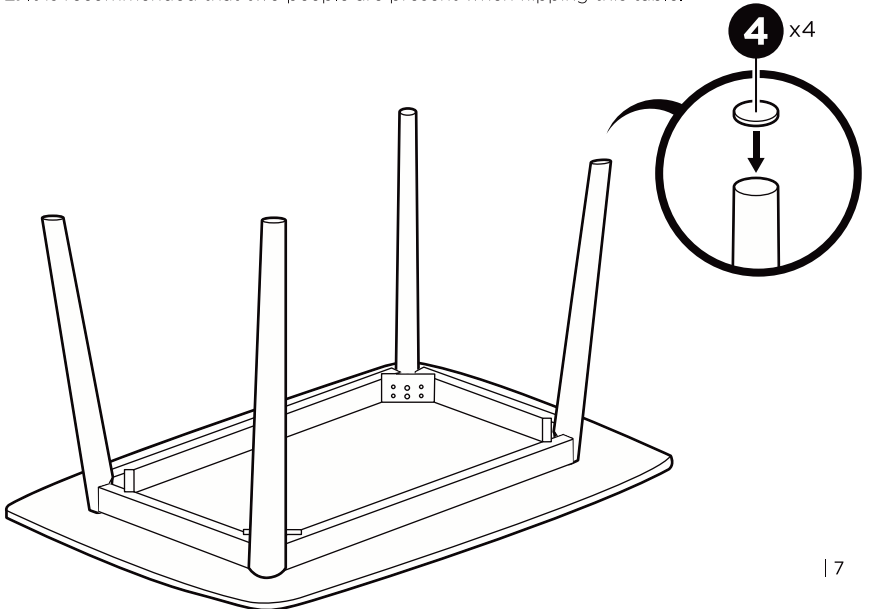
Insert one **part B table leg** into one of the **part A table top corners** and secure with two **part 1 bolts**, two **part 2 spring washers**, and two **part 3 flat washers**.



2

Repeat to attach the remaining table legs, then place one **part 4 foot pad** on the bottom of each leg. Flip the assembled table upright.

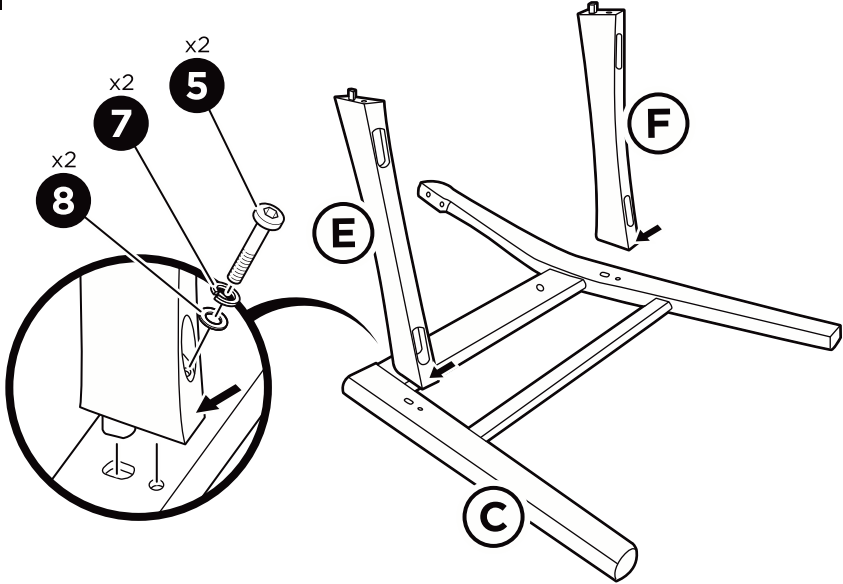
NOTE: It is recommended that two people are present when flipping this table.



PRODUCT ASSEMBLY (CHAIR)

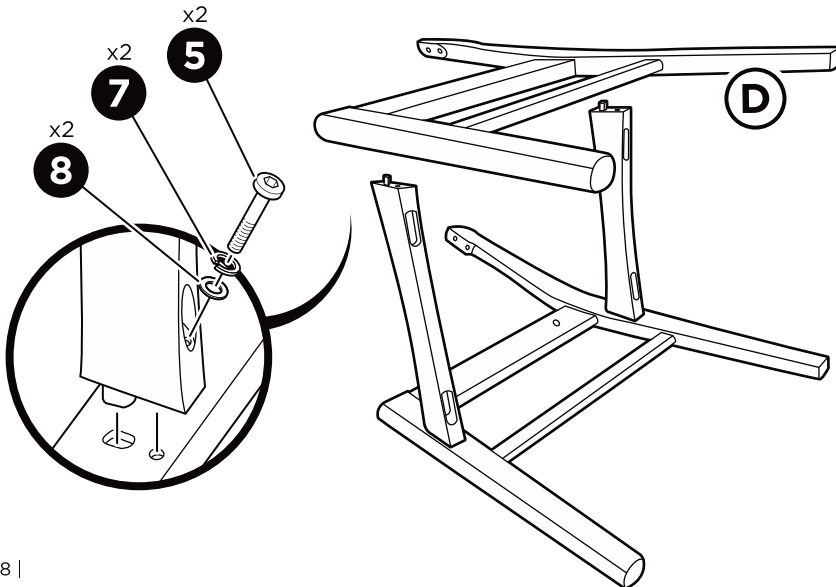
1

Place one **part C right chair frame** on its side, then attach one **part E chair long support** and one **part F chair short support** with two **part 5 bolts**, two **part 7 spring washers**, and two **part 8 flat washers**.



2

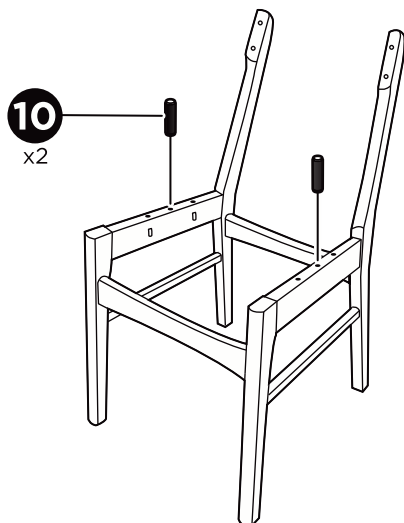
Attach one **part D left chair frame** onto the chair assembly, then secure the **part E & F supports** with two **part 5 bolts**, two **part 7 spring washers**, and two **part 8 flat washers**.



PRODUCT ASSEMBLY (CHAIR)

3

Flip the chair assembly upright, then insert one **part 10 dowels** into the central hole on both chair frame sides, two dowels total.

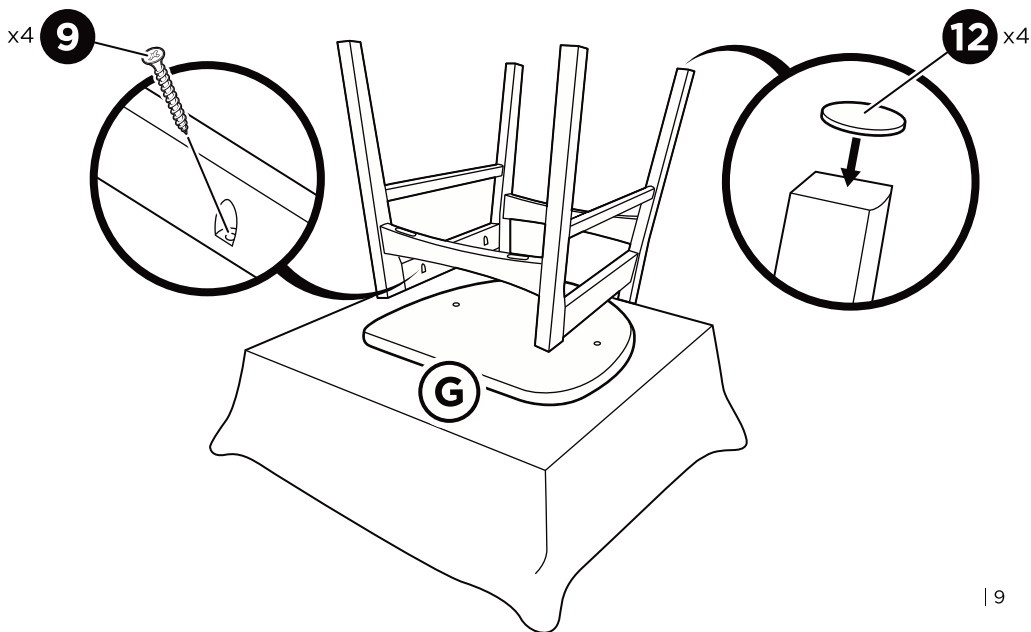


4

Locate one **part G chair seat** and place it upside down on a flat level surface.

Flip the chair assembly and insert the dowels (see previous step) into openings on the bottom of the **part G chair seat**, then secure with four **part 9 screws**.

Place one **part 12 foot pad** on the bottom of each leg. Flip the chair assembly upright.

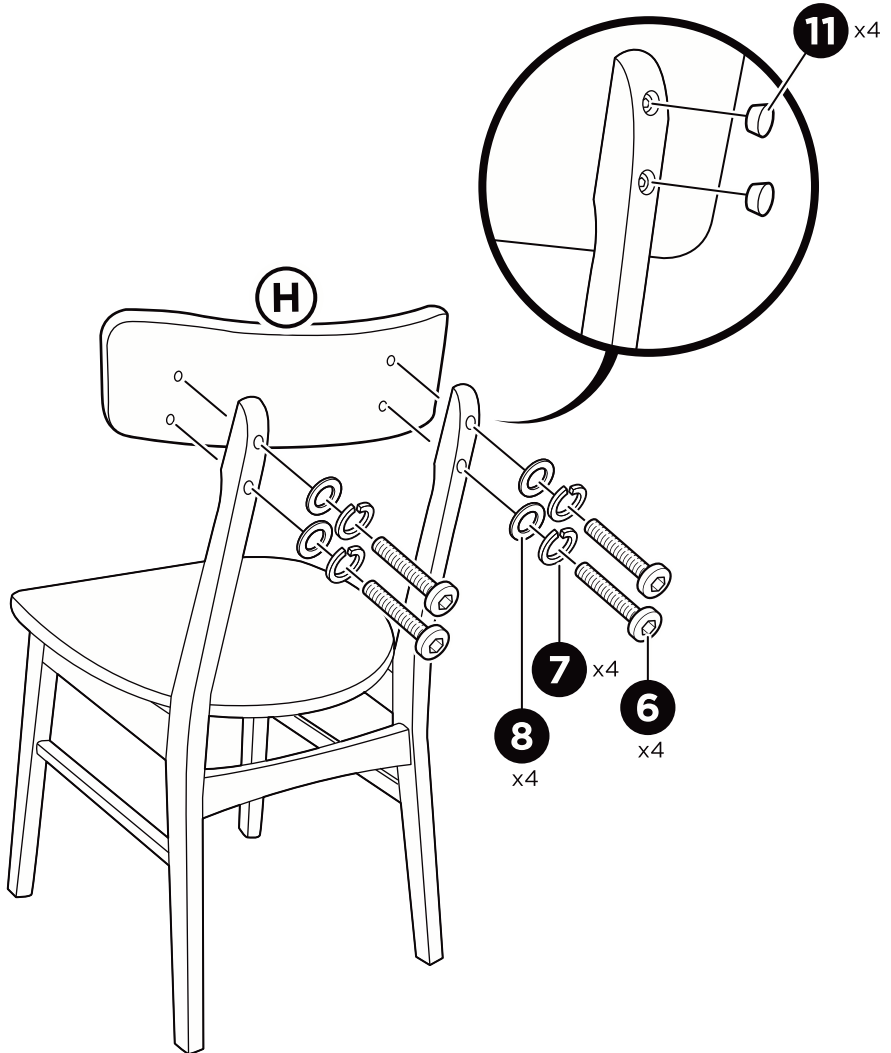


PRODUCT ASSEMBLY (CHAIR)

5

Attach one **part H backrest** to the part upper supports on the **part C & D chair frames** with four **part 6 bolts**, four **part 7 spring washers**, and four **part 8 flat washers**.

Cover the fastener holes on the back of the part H backrest with four **part 11 wooden buttons**.

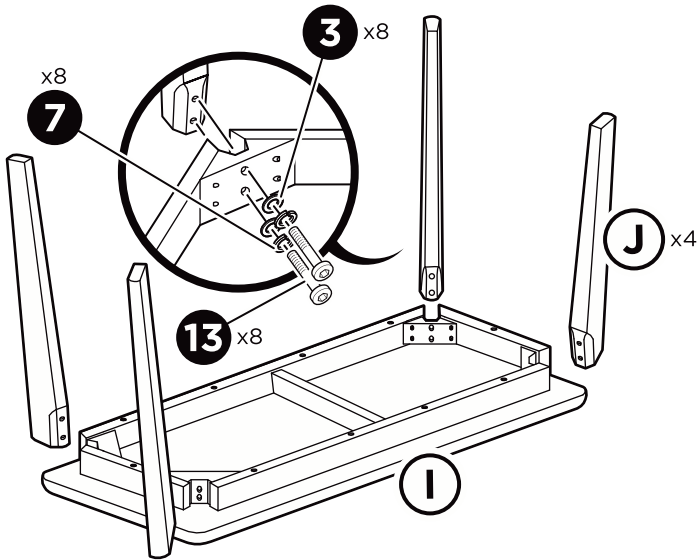


PRODUCT ASSEMBLY (BENCH)

1

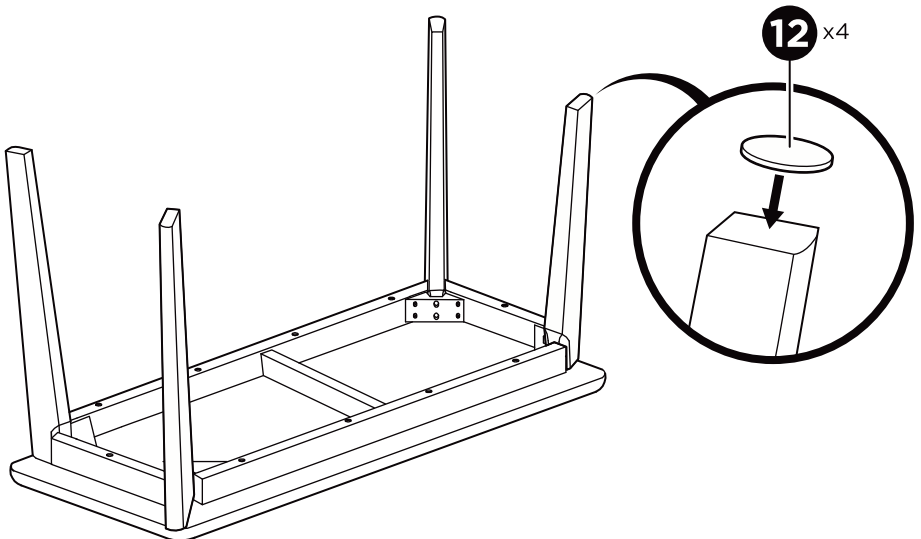
Place the **part I bench seat** upside down on a flat level surface.

Insert one **part J bench leg** into one of the **part I bench seat corners** and secure with two **part 13 bolts**, two **part 7 spring washers**, and two **part 3 flat washers**.



2

Repeat to attach the remaining bench legs, then place one **part 12 foot pad** on the bottom of each leg. Flip the assembled bench upright.





HELP CENTER



Question about your product? We're here to help. Visit us at:

help.bestchoiceproducts.com



Chat Support



Product Inquiry



Orders FAQ



Product Assembly



Returns & Refunds

PRODUCT WARRANTY INFORMATION

All items can be returned for any reason within 60 days of the receipt and will receive a full refund as long as the item is returned in its original product packaging and all accessories from its original shipment are included. All returned items will receive a full refund back to the original payment method. All returned items will not be charged a re-stocking fee.

All returned items require an RA (Return Authorization) number, which can only be provided by a Best Choice Products Customer Service Representative when the return request is submitted. Items received without an RA may not be accepted or may increase your return processing time. Once an item has been received by Best Choice Products, refunds or replacements will be processed within 5 business days.

All returns must be shipped back to the Best Choice Products Return Center at the customer's expense. If the reason for return is a result of an error by Best Choice Products then Best Choice Products will provide a pre-paid shipping label via email. Boxes for return shipping will not be provided by Best Choice Products, and is the customer's responsibility to either use the original shipping boxes or purchase new boxes.

Pictures may be required for some returns to ensure an item is not damaged prior to its return. Items returned are not considered undamaged until they are received by Best Choice Products and verified as such. All damages to items are the customer's responsibility until the item has been received by and acknowledge by Best Choice Products as undamaged.

© Best Choice Products, Inc. All rights reserved. Distributed by Best Choice Products, Inc. Tustin, CA 92780

WARNING

Manufacturer and seller expressly disclaim any and all liability for personal injury, property damage or loss, whether direct, indirect, or incidental, resulting from the incorrect attachment, improper use, inadequate maintenance, unapproved modification, or neglect of this product.