



Project Name: _____

Location: _____

Item #: _____

Qty: _____

Adcraft Rice Warmer, 50 Cup, in Stainless Steel

RW-E50GA



Maintain a steady supply of warm, ready-to-serve rice with the Adcraft Rice Warmer. This commercial rice warmer keeps rice warm for up to 12 hours after it's cooked. The unit serves 50 cups or 100 bowls. The rice warmer is constructed of heavy-duty stainless steel and features a non-stick inner pot and a convenient, easy-open lid. The solid, durable handles make this rice cooker easy to transport in your commercial kitchen. It comes complete with an oversized plastic spatula.

Features and Construction

- Serves 50 cups or 100 bowls
- Keeps rice warm for up to 12 hours after it's cooked
- Constructed of heavy-duty stainless steel
- Non-stick inner pot
- Easy to open and close lid
- Solid and durable handles for easy transport
- Complete with oversized plastic spatula for easy mixing and serving
- Ideal for use in restaurants, catering services, buffets and other foodservice establishments where a consistent supply of warm rice is needed

Capacity

- 50 Cups raw rice/100 cups cooked (23L)

Included Components

- Serving spoon

Electric

110-120V ~ 60Hz - 110W (0.96A)

Cord Length (Inches): 59.06

Plug Type: NEMA 5-15

Cord set included

NEMA 5-15P



3rd Party Approvals



Warranty (USA / Canada)

Protected by Admiral Craft Equipment Corporation's one-year limited warranty

Contact Admiral Craft Equipment for details at 1-877-672-7740

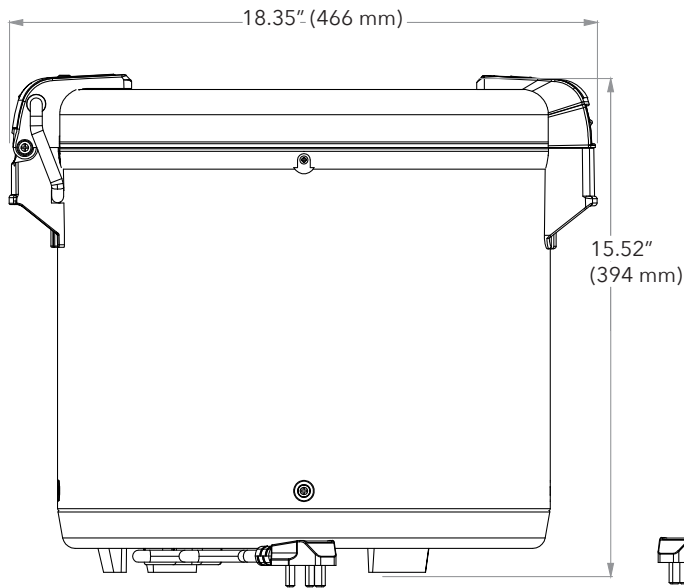




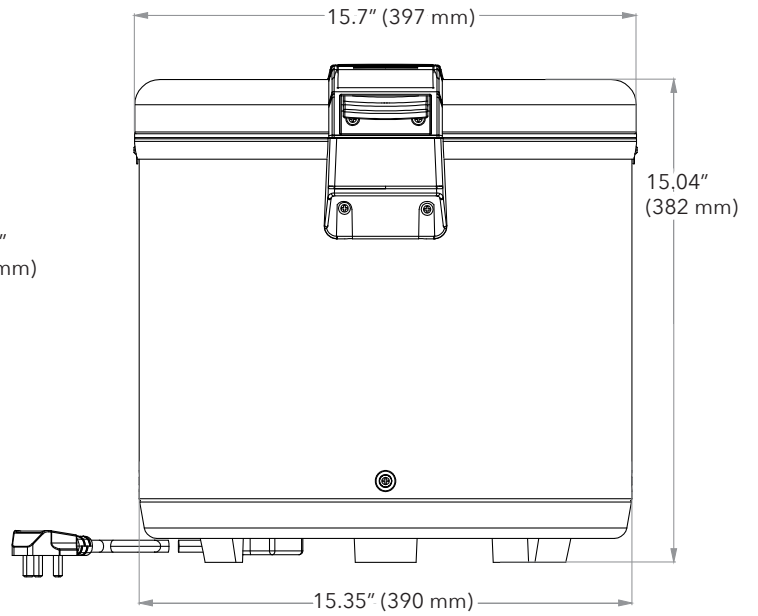
Adcraft Rice Warmer, 50 Cup, in Stainless Steel

RW-E50GA

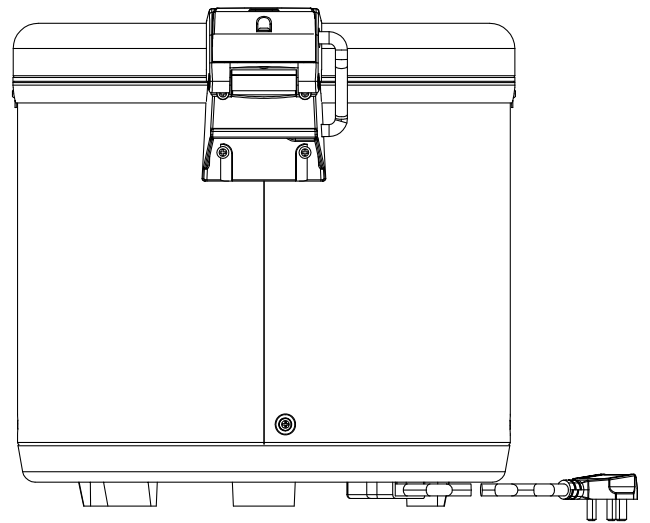
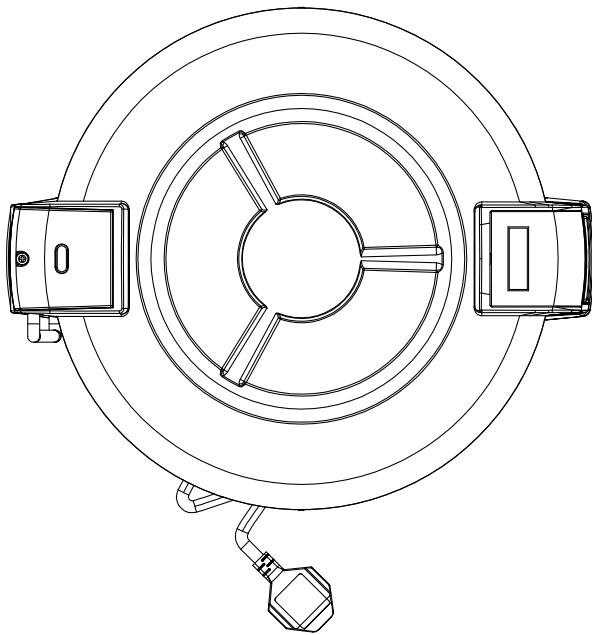
FRONT



SIDE



TOP



Countertop

| Control Type | Capacity | Assembled Dimensions L x W x H (in) | Package Dimensions L x W x H (in) | Item Weight (lb) | Shipping Weight (lb) |
|--------------|--|--|--------------------------------------|------------------|-------------------------|
| Manual | 50 Cups raw rice/ 100 cups cooked (23L) | 15.70" x 18.35" x 15.04" | 17.91" x 17.91" x 18.43" | 17.4 | 22.0 |

Due to periodic changes in designs, methods, procedures, policies and regulations, the specifications contained in this document are subject to change without notice. While we exercise good faith efforts to provide information that is accurate, we are not responsible for errors or omissions in information provided or conclusions reached as a result of using the specifications. By using the information provided, the user assumes all risks in connection with such use.