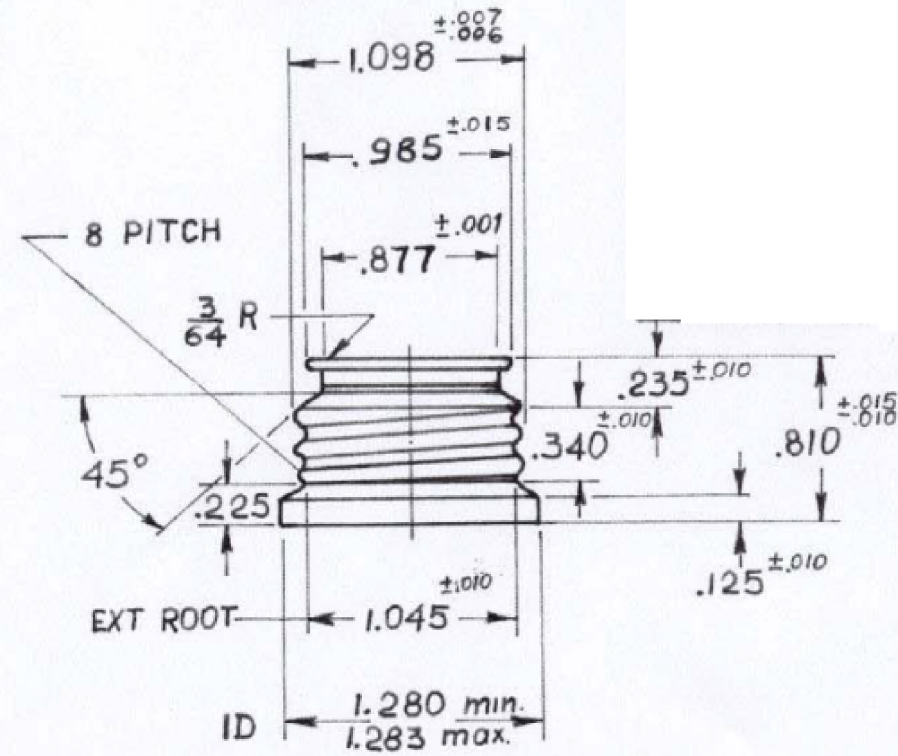
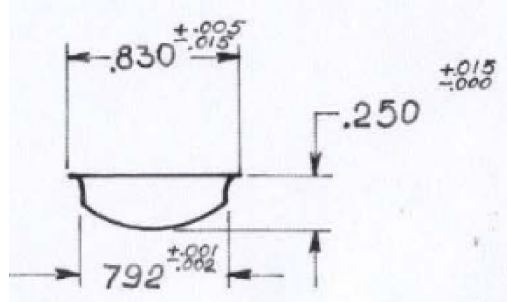


**BETA NOZZLE**  
CE=2.265

**BETA CAP**  
C.E.=2.118



**877 BETA NOZZLE**  
C.E.=2.265



**BETA SEAL**

**DISCLAIMER**

THIS INFORMATION IS PROVIDED AS A GENERAL GUIDE, INCLUDING DIMENSIONS. IT IS THE CUSTOMER'S RESPONSIBILITIES TO SELECT THE PROPER CONTAINER FOR PRODUCT AND APPLICATION COMPATIBILITY.

DISTRIBUTED BY:



REF NO.:

DWG10025

DESCRIPTION:

1 1/8" Beta Metal Cap