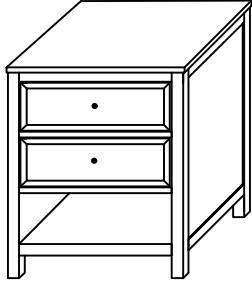
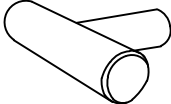

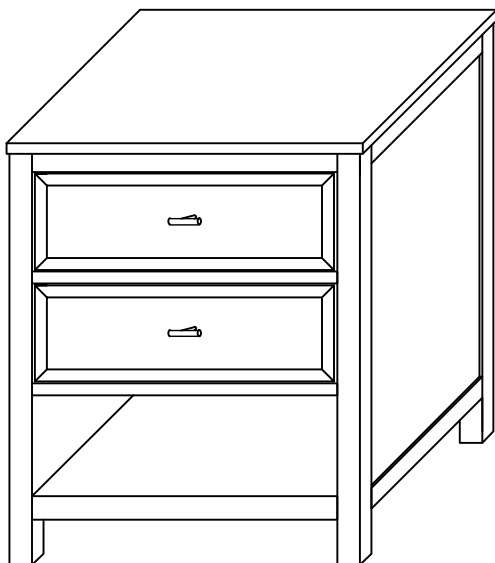


# ASSEMBLY INSTRUCTIONS

## 2-DRAWER NIGHTSTAND

<b>A</b> Nightstand  1 pc	<b>B</b> Handle (Packed with Screw Inside the Drawer)  2 pcs	<b>C</b> Screw 25 mm  2 pcs
--	--	---

<b>D</b> Anti-Tip Kit  1 set
--

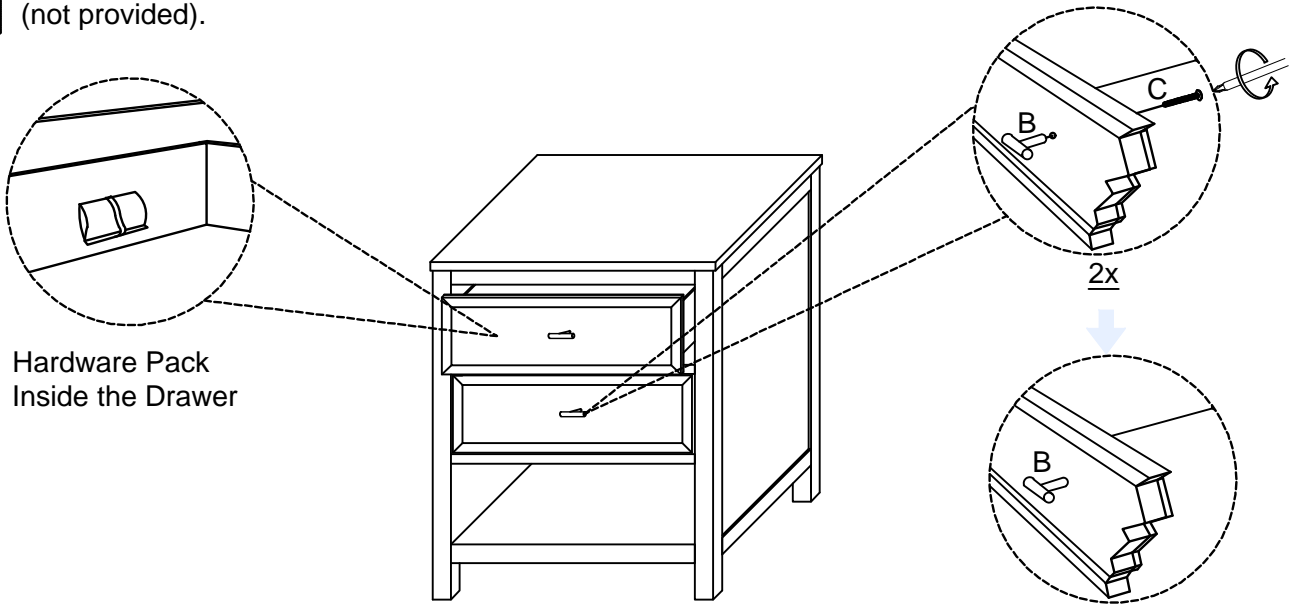


This page lists all the contents included in the box. Please take the time to identify the hardware as well as the individual components to this product. As you unpack and prepare for assembly, place the content on a carpeted or padded area to protect them from damage.

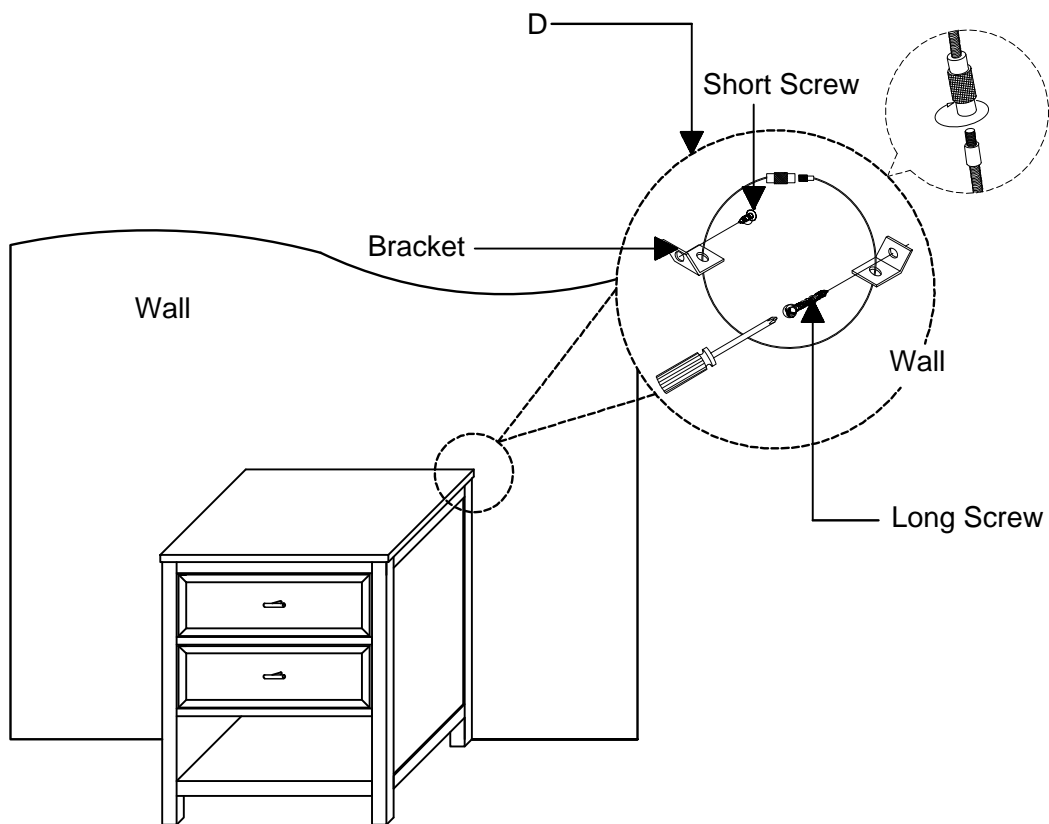
**IMPORTANT NOTE :**

1. Do not tighten all screw / bolts until all completely assembled.
2. Keep all hardware parts out of reach of children.

- 1** Open the drawers and attach the Handle (B) to the drawer front using Screw (C) with a screwdriver (not provided).



- 2** Attach the Anti-Tip Kit (D) to the wall. Mount the bracket vertically on the wall using the long screw. Then, secure the bracket vertically on the furniture back below the top using the short screw. Place the bracket as close to the center of the furniture back as possible, considering the wall stud and desired position in the room. Move the furniture to its final position. Thread the strap through the bracket and pull it tight.



### CLEANING & CARE

Treat surfaces with care. Surfaces are resistant to scratches but are not scratch resistant. Clean surfaces with a dry or damp soft cloth. Do not use abrasive cleaners. Hardware may loosen over time. Periodically check that all connections are tight.