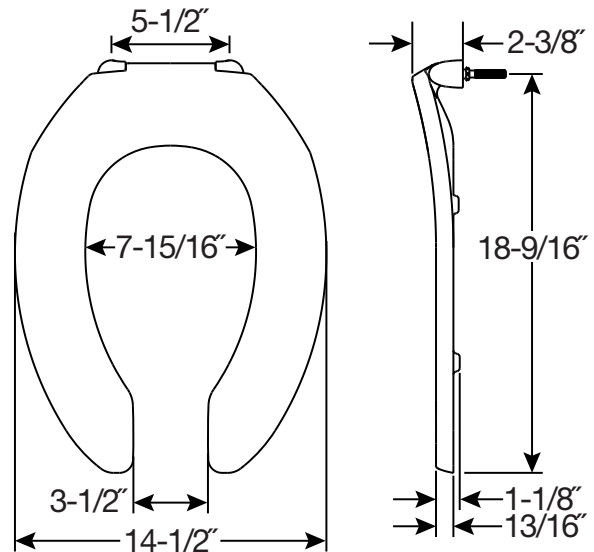




295CT / 295SSCT

COMMERCIAL HEAVY-DUTY
PLASTIC TOILET SEAT



FEATURES:

- **Stay-Tite® Commercial Fastening System™**
Never Loosens. Guaranteed.
- **Self-Sustaining Check Hinges (295SSCT)**
Keeps seat upright for standing use or cleaning



SPECIFICATIONS:

Size: Elongated

Material: Plastic

Style: Open Front less Cover

Ring Bumpers: Four

Hinges: Plastic Non Self-Sustaining Check Hinges (295CT) or Self-Sustaining Check Hinges (295SSCT) with Non-Corroding 300 Series Stainless Steel Posts and Pintles

Hardware: Stay-Tite® Commercial Fastening System™



Codes & Standards:



Complies with
IAPMO/ANSI Z124.5
Performance Standards
Heavy-Duty Commercial