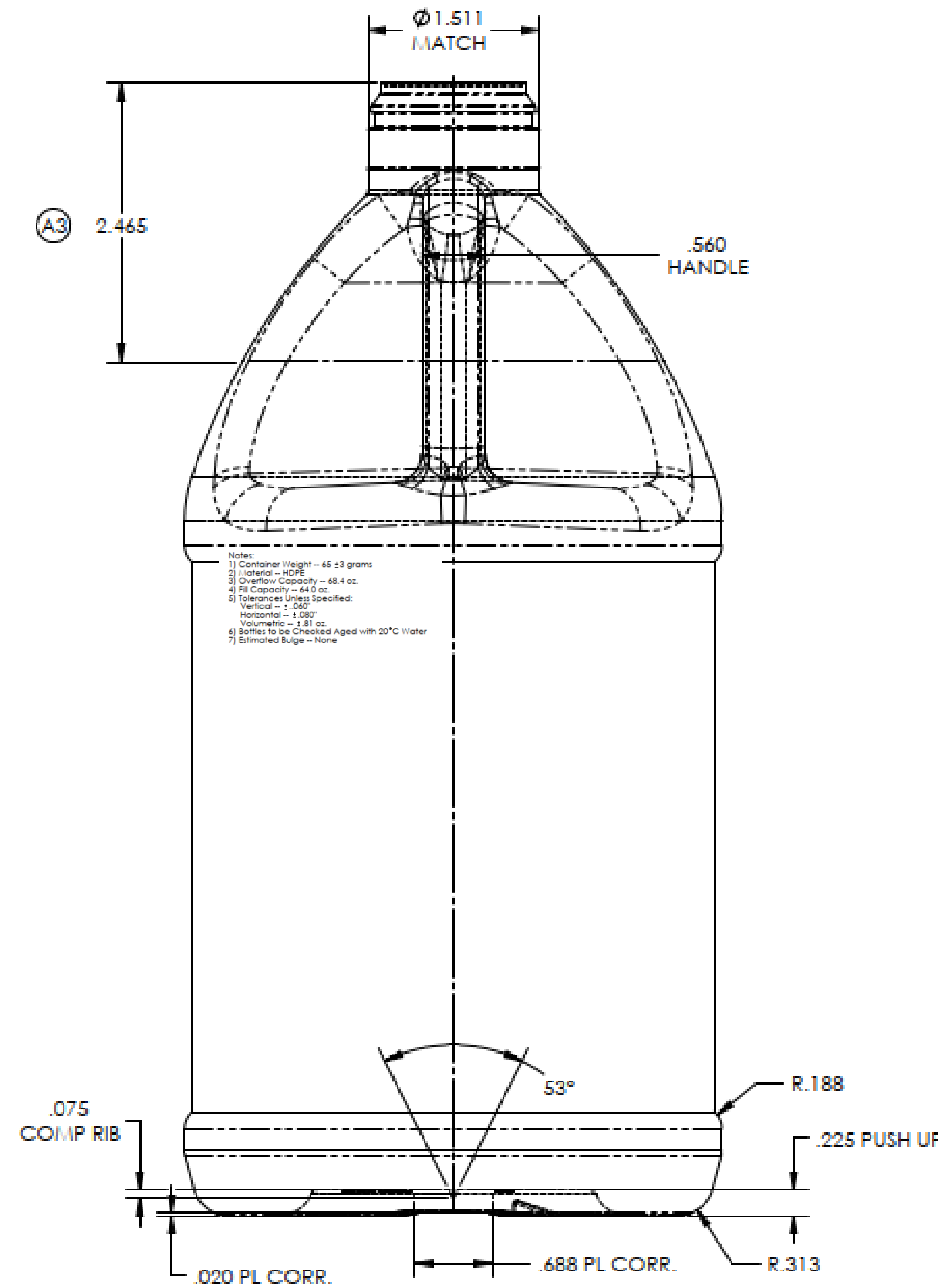
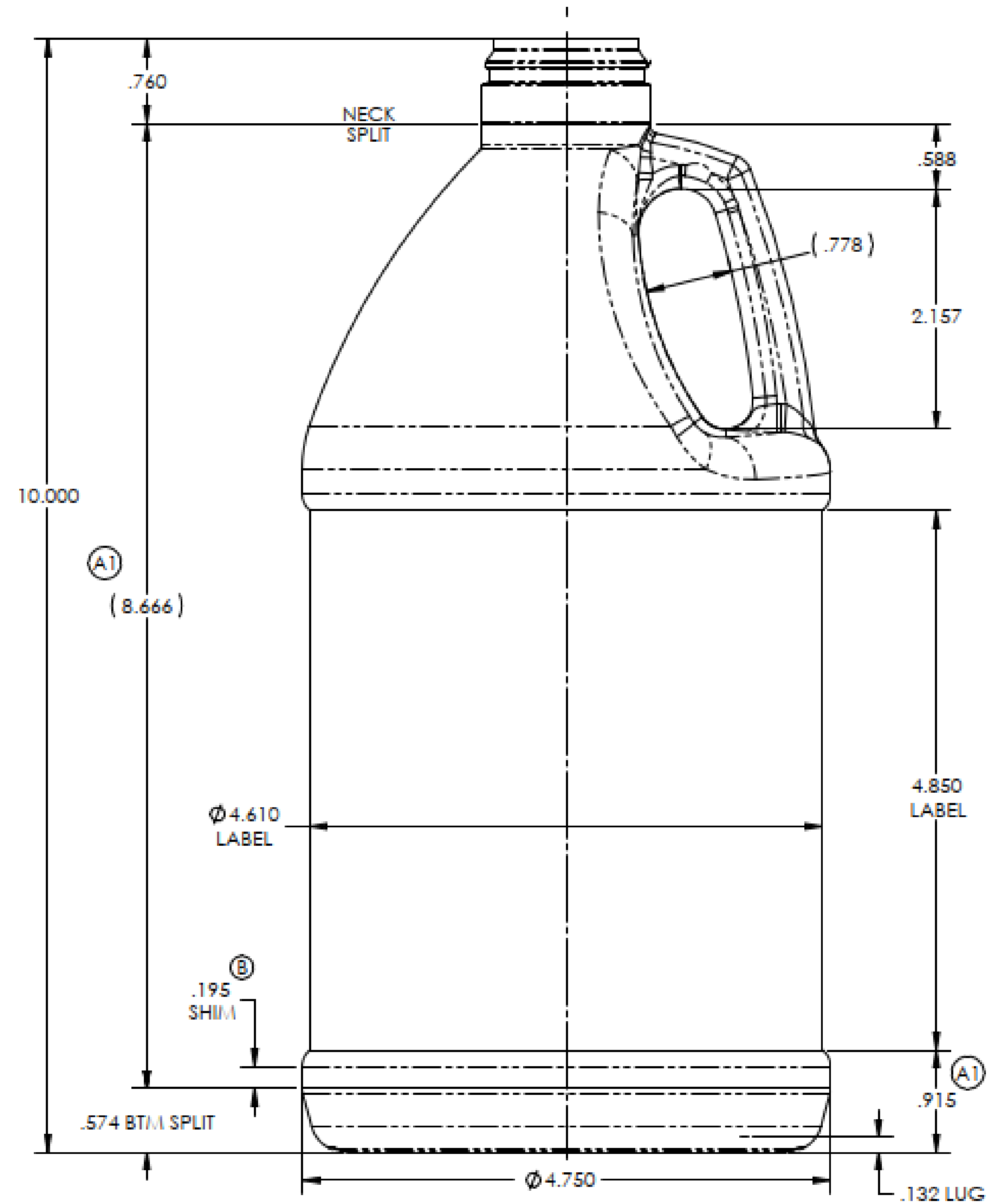
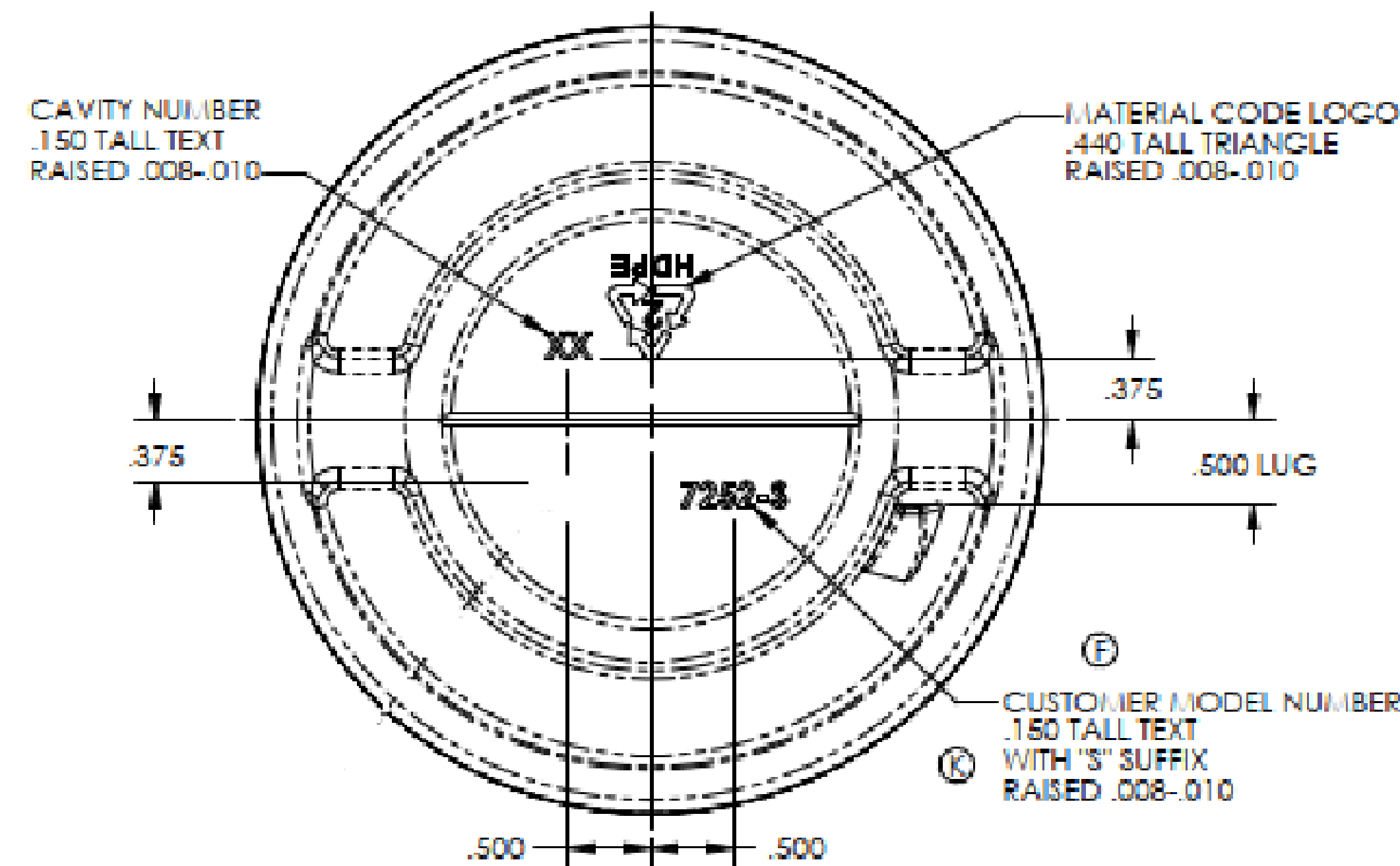


ALTERNATE NECK
38mm SP400 FINISH
W/SPECIAL "H"

- NOTES:
1) "M" STYLE THREAD
2) THREAD START AT CL
IN PIN HALF
3) ONE FULL TURN OF
THREAD AT FULL DEPTH
4) 6 THREADS PER INCH



Notes:
1) Container Weight -- 65 ±3 grams
2) Material -- HDPE
3) Overflow Capacity -- 68.4 oz.
4) Fill Capacity -- 64.0 oz.
5) Tolerances Unless Specified:
Vertical -- ±.060"
Horizontal -- ±.080"
Volumetric -- ±.81 oz.
6) Bottles to be Checked Aged with 20°C Water
7) Estimated Bulge -- None



- Notes:
1) Container Weight -- 65 ±3 grams
2) Material -- HDPE
3) Overflow Capacity -- 68.4 oz.
4) Fill Capacity -- 64.0 oz.
5) Tolerances Unless Specified:
Vertical -- ±.060"
Horizontal -- ±.080"
Volumetric -- ±.81 oz.
6) Bottles to be Checked Aged with 20°C Water
7) Estimated Bulge -- None

DISCLAIMER

THIS INFORMATION IS PROVIDED AS A GENERAL GUIDE, INCLUDING DIMENSIONS. IT IS THE CUSTOMER'S RESPONSIBILITIES TO SELECT THE PROPER CONTAINER FOR PRODUCT AND APPLICATION COMPATIBILITY.

DISTRIBUTED BY:



REF NO.:

DWG30724

DESCRIPTION:

64 oz HDPE Industrial Round, 38-400, 65 Gram