

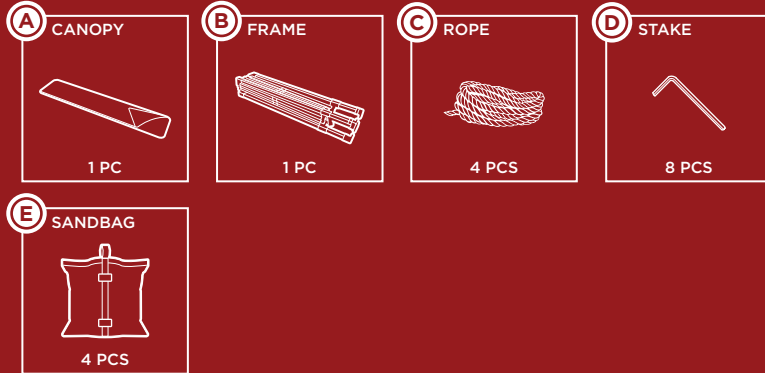


## 8 x 8ft One Button Pop-Up Canopy

SKY7649 + SKY7650 + SKY7652 + SKY7653 + SKY7654 + SKY7655 + SKY7656  
SKY7657 + SKY7658 + SKY7659 + SKY7660 + SKY7661 + SKY7805 + SKY7806  
SKY7807 + SKY7808 + SKY7809 + SKY7810 + SKY7811 + SKY7812 + SKY7813  
SKY7814 + SKY7815 + SKY7816 + SKY9668 + SKY9669 + SKY9670 + SKY9671  
SKY9672 + SKY9673 + SKY9674 + SKY9675 + SKY9676

Ver. 2

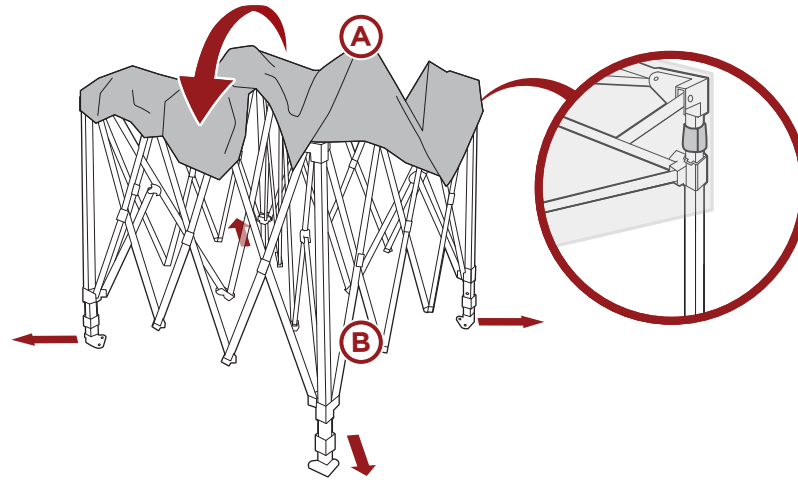
### PARTS



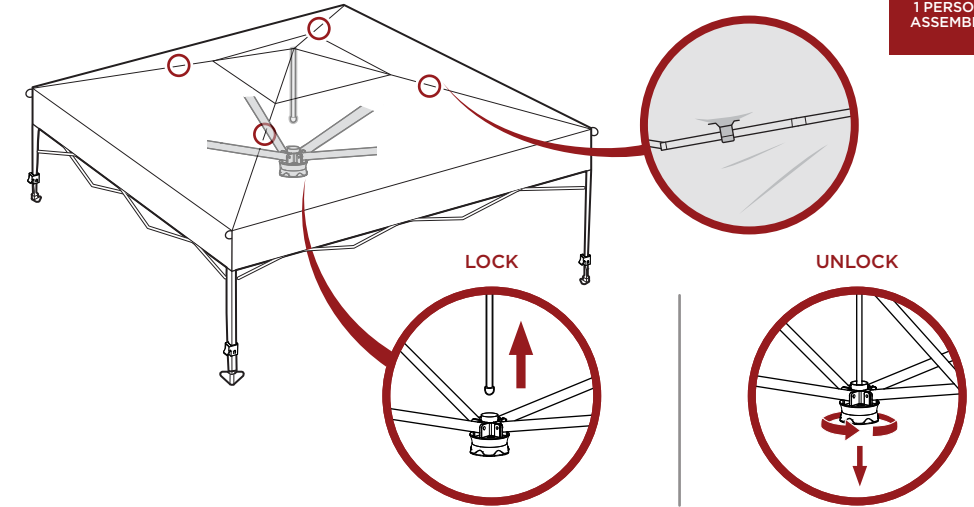
### ⚠ WARNING

- Be careful not to pinch hands or appendages during assembly.
- It is recommended that you use the ropes and stakes to secure the canopy.
- Canopy should not be left up in the rain. This product is not intended to withstand constant rain or inclement weather.
- This product is not intended to withstand periods of extreme/high wind or inclement weather.
- When not in use, this product should remain closed and stored away to avoid potential damage.
- This product is intended for residential use only.

- 1** Drape **part A canopy** over **part B frame**.  
Make sure to secure the corners with the attached adhesive strips.



- 2** Push the middle button into the pole until it locks.  
Secure the canopy with the attached adhesive strips.

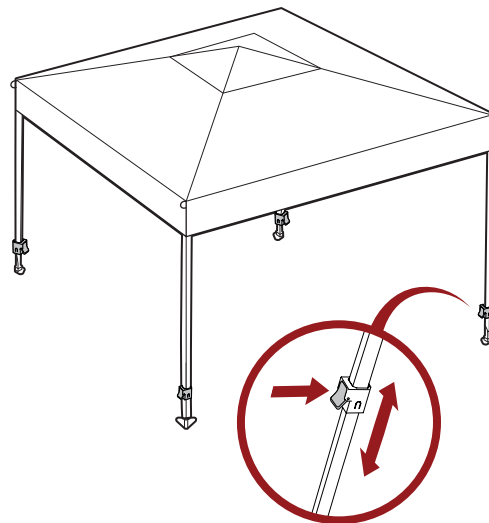


1 PERSON  
ASSEMBLY

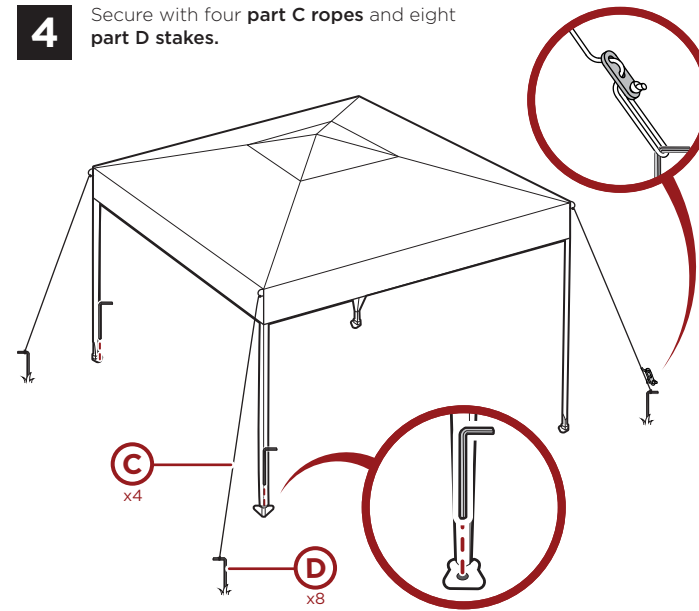


UP TO 10 MIN.  
ASSEMBLY

- 3** Push the tabs on the legs and extend to your desired height.



- 4** Secure with four **part C ropes** and eight **part D stakes**.



- 5** Fill four **part E sandbags** with clean sand, then use the self-adhering strips to secure one sand bag to each **part A canopy leg**.

