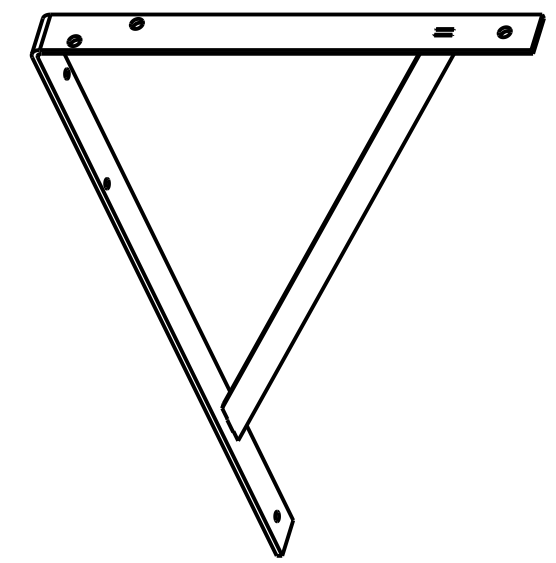
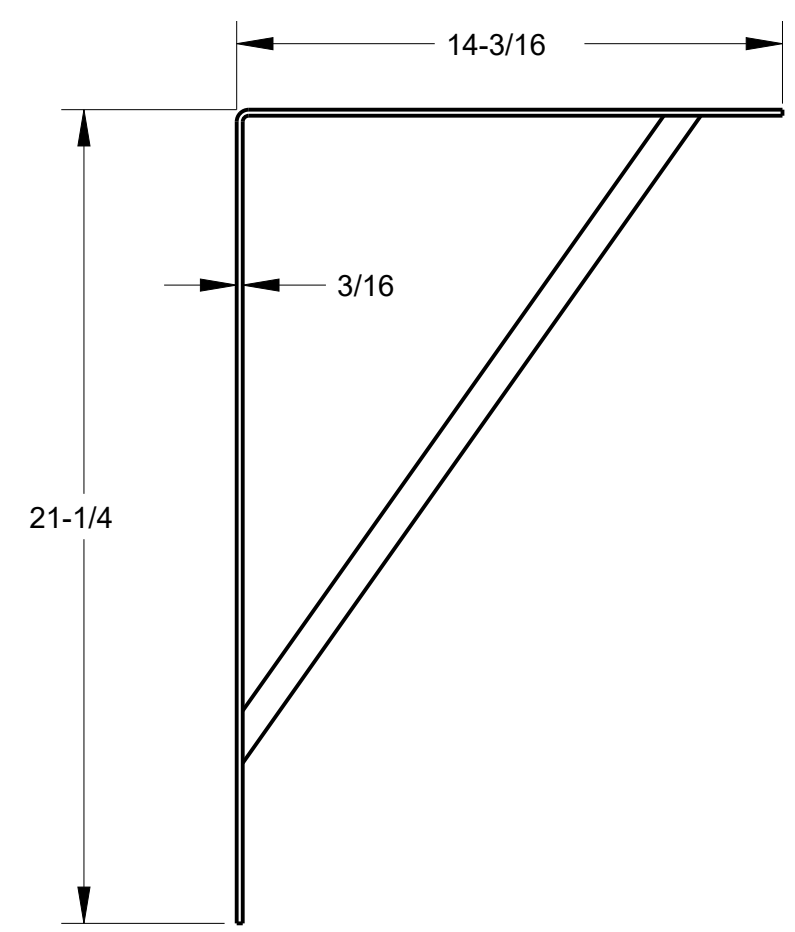
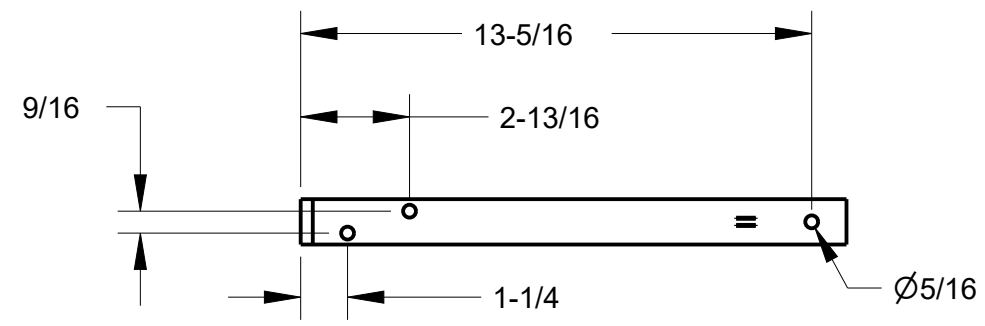
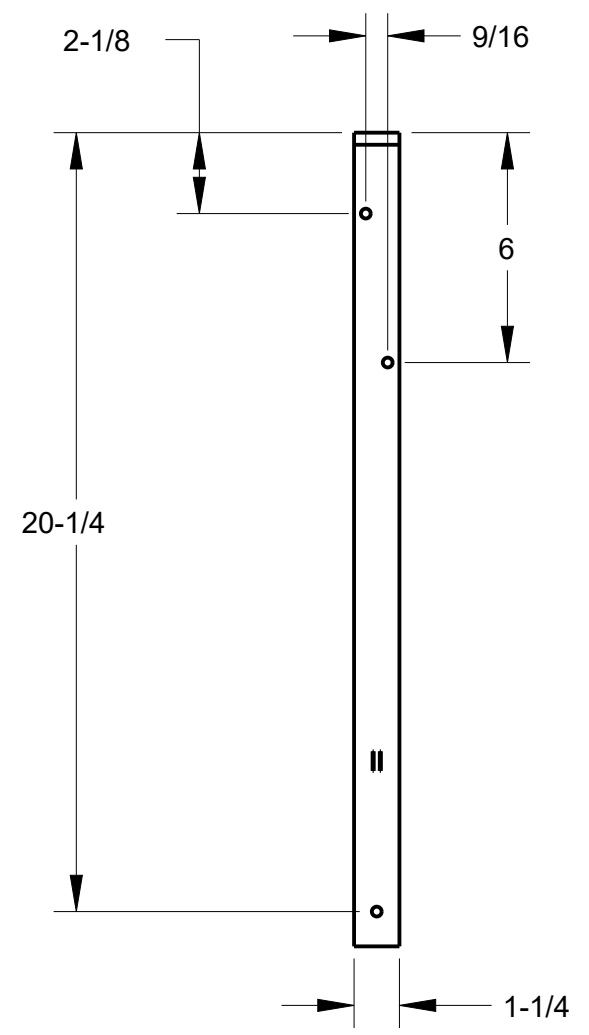


8 7 6 5 4 3 2 1

F E D C B A



HR ITEM NUMBER	FINISH
1421WH	WHITE
1421MB	MATTE BLACK



HARDWARE RESOURCES RESERVES THE RIGHT TO CHANGE SPECIFICATIONS WITHOUT NOTICE. IN CASE OF A DISCREPANCY, ACTUAL PART GEOMETRY SUPERSEDES THIS DOCUMENT.

THE INFORMATION CONTAINED WITHIN THIS DRAWING IS THE SOLE PROPERTY OF HARDWARE RESOURCES INC. ANY REPRODUCTION IN PART OR WHOLE WITHOUT WRITTEN PERMISSION OF HARDWARE RESOURCES INC. IS PROHIBITED.

DOCUMENT STATUS Released	
UNLESS OTHERWISE SPECIFIED DIMENSIONS ARE IN INCHES (IN)	
MATERIAL STEEL	FINISH SEE TABLE
THIRD ANGLE PROJECTION 	DATE 27SEP2023

DESCRIPTION BRACKET, SHELF UTILITY, HEAVY DUTY		
DRAWING NUMBER 1421		REV A
SIZE A3	SCALE 0.200	SHEET 1 / 1

A

A

8 7 6 5 4 3 2 1