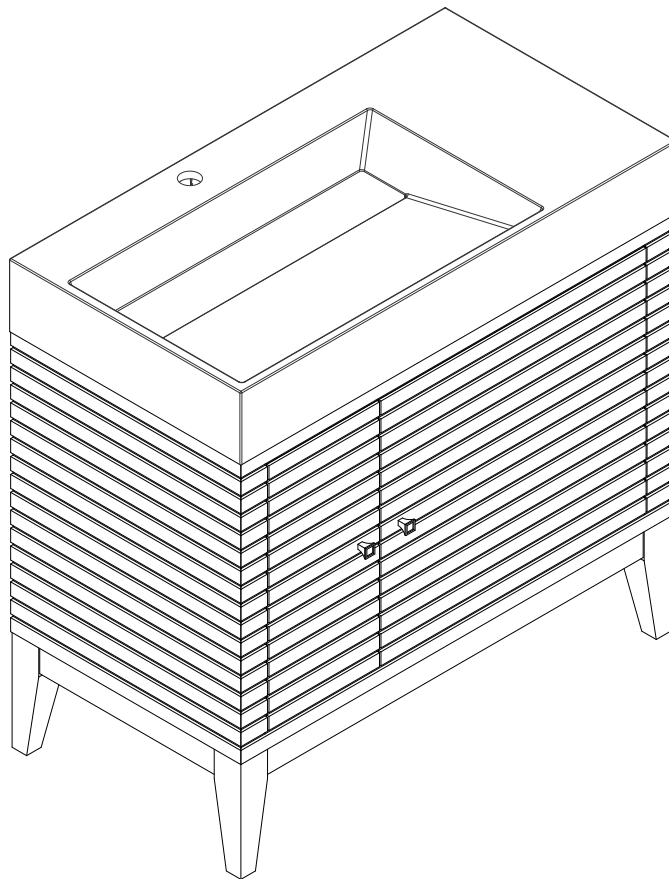


36" LINEAR VANITY

210-V36-GW 210-V36-WW
210-V36-WLT 210-V36-VBL

JAMES MARTIN
VANITIES



Features and Materials

Solids: GW/VBL-Poplar; WLT-Walnut; WW-Rubber Wood

Panels: Plywood

Veneers: WLT/WW-Walnut

Installation Type: Floor Standing

Number of Basins: One, Integrated Sinktop

Sinktop Included: NO, Sold Separately (CS-S366)

Basin Overflow: NO

Number of Doors: Two

Number of Drawers: One (interior)

Number of Tip Outs: 0

Bamboo Storage Tray: NO

Assembly Required: NO

Drawer Box Material and Construction: 12mm Plywood/English Dovetail Joinery

Hardware Material and Finish: Zinc Alloy in Satin Nickel Color

Fits Drain Hole Size: 1 3/4"

Full Extension, Soft Close Glides

European Soft Close Hinges

Aluminum Laminate Drawer Liners,

Adjustable Levelers

Dimension

Width: 35-1/4"

Depth: 18-3/4"

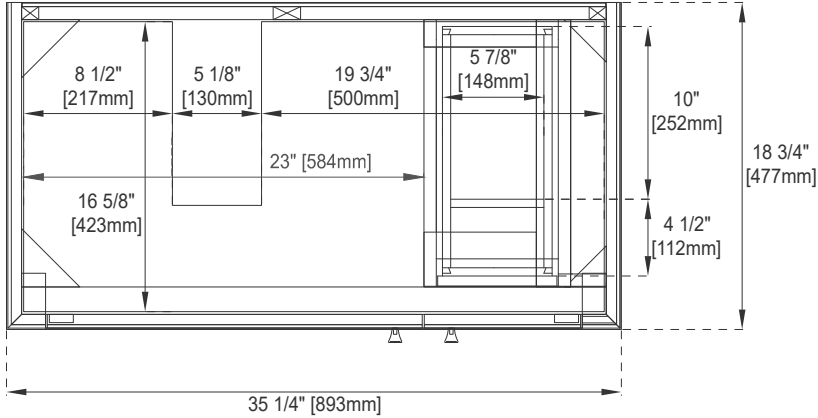
Height: 29-3/8"

Rough-In Height: 21-1/2"

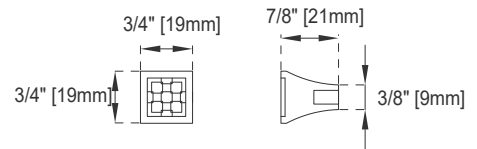
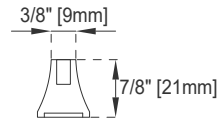
36" LINEAR VANITY

JAMES MARTIN VANITIES

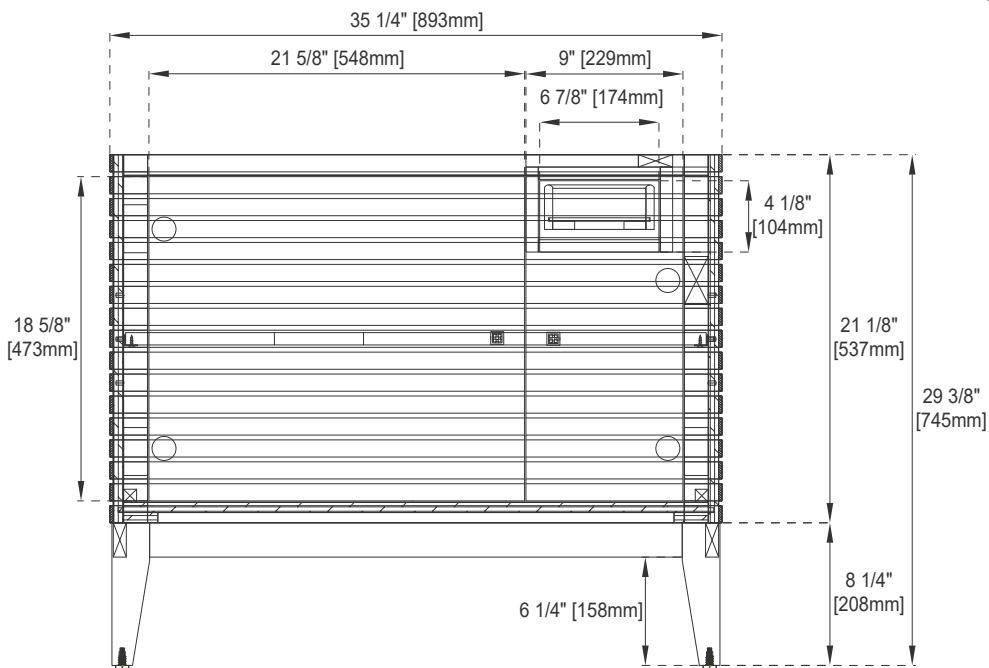
210-V36-GW 210-V36-WW
210-V36-WLT 210-V36-VBL



Top View



Knob



Front View

All dimensions are nominal

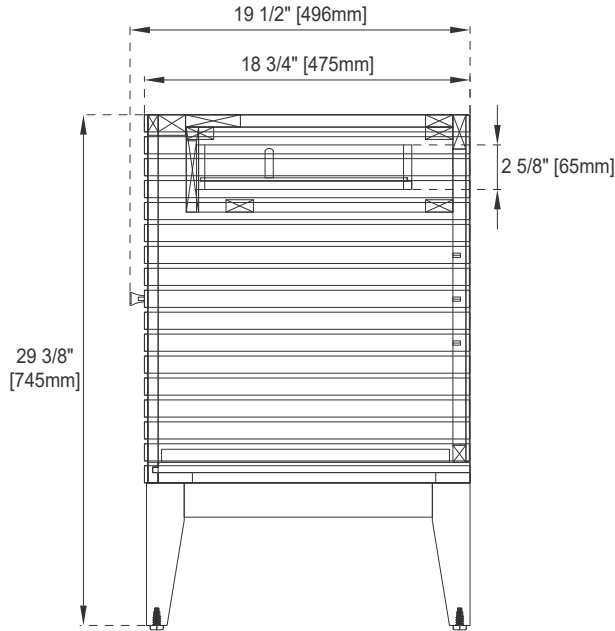
Diagrams are of cabinet only-James Martin Optional integrated sinktops are not shown

Visit website for warranty and installation information
www.jamesmartinvanities.com

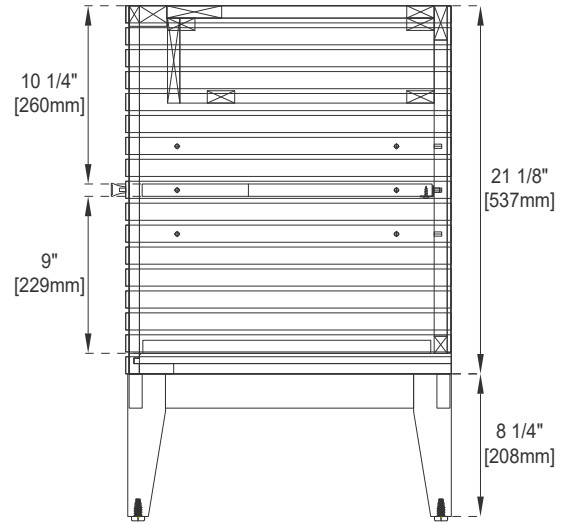
36" LINEAR VANITY

JAMES MARTIN VANITIES

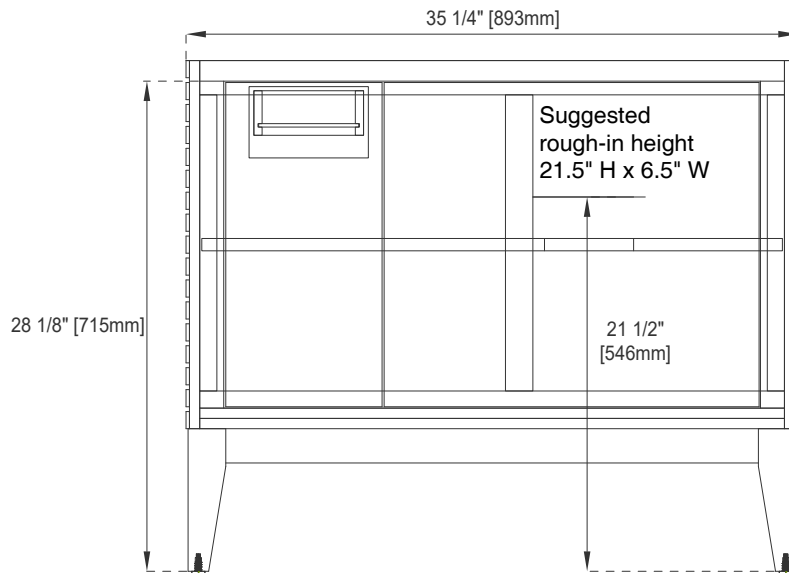
210-V36-GW 210-V36-WW
210-V36-WLT 210-V36-VBL



Side View 1



Side View 2



Back View

All dimensions are nominal
Diagrams are of cabinet only-James Martin Optional integrated sinktops are not shown

Visit website for warranty and installation information
www.jamesmartinvanities.com