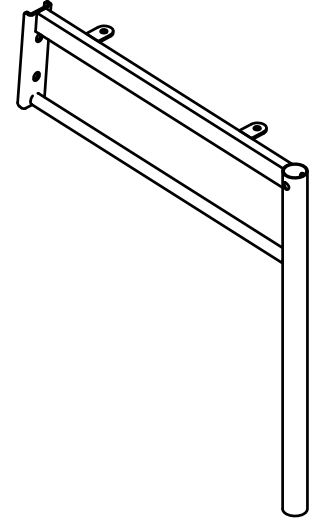
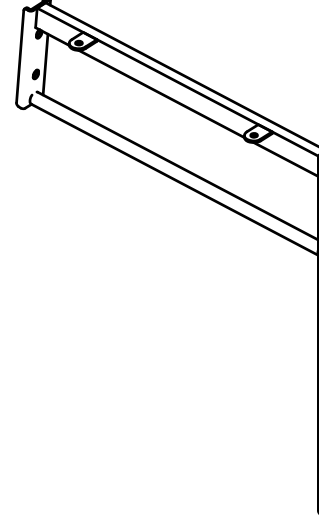
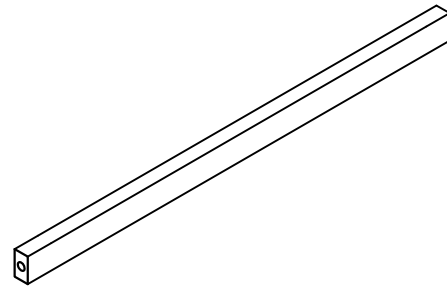
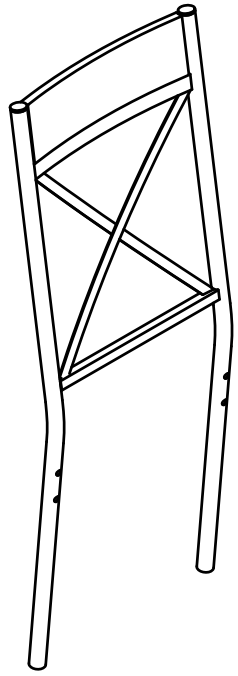
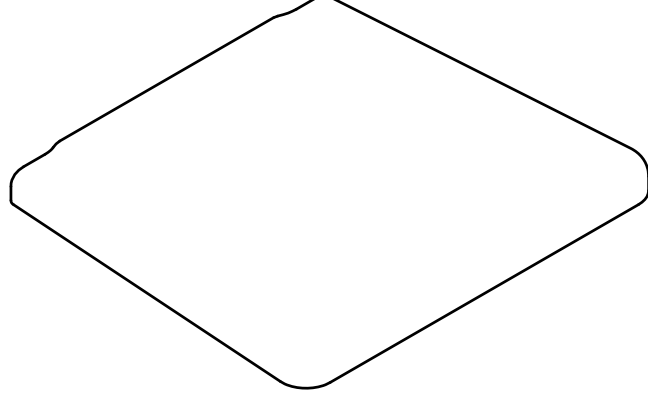
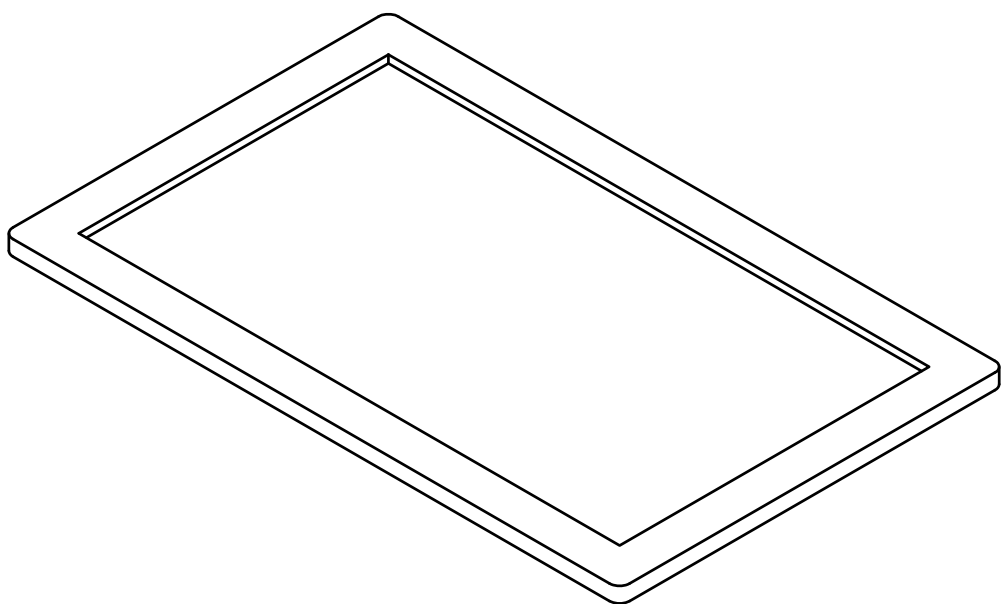

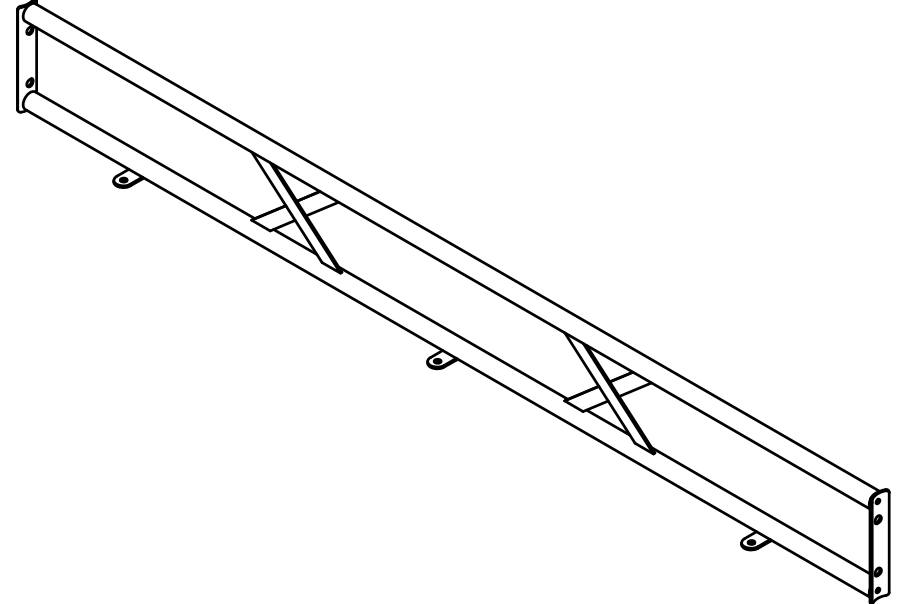
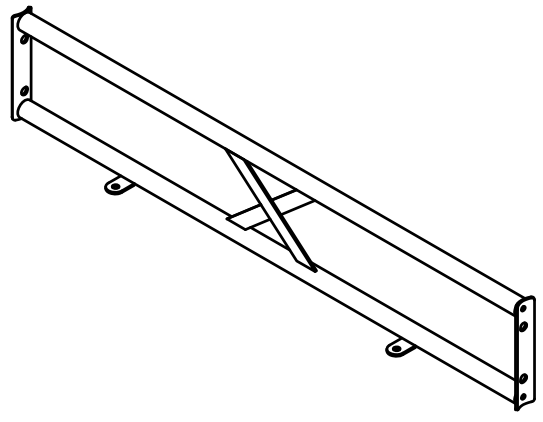
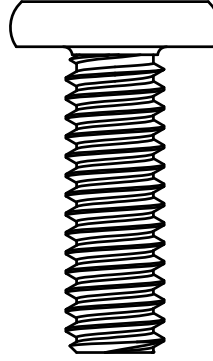
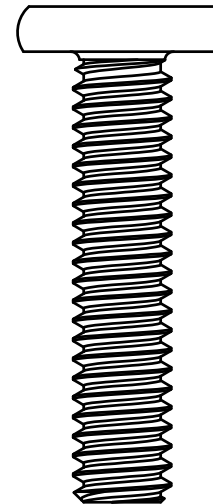
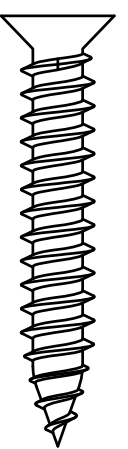

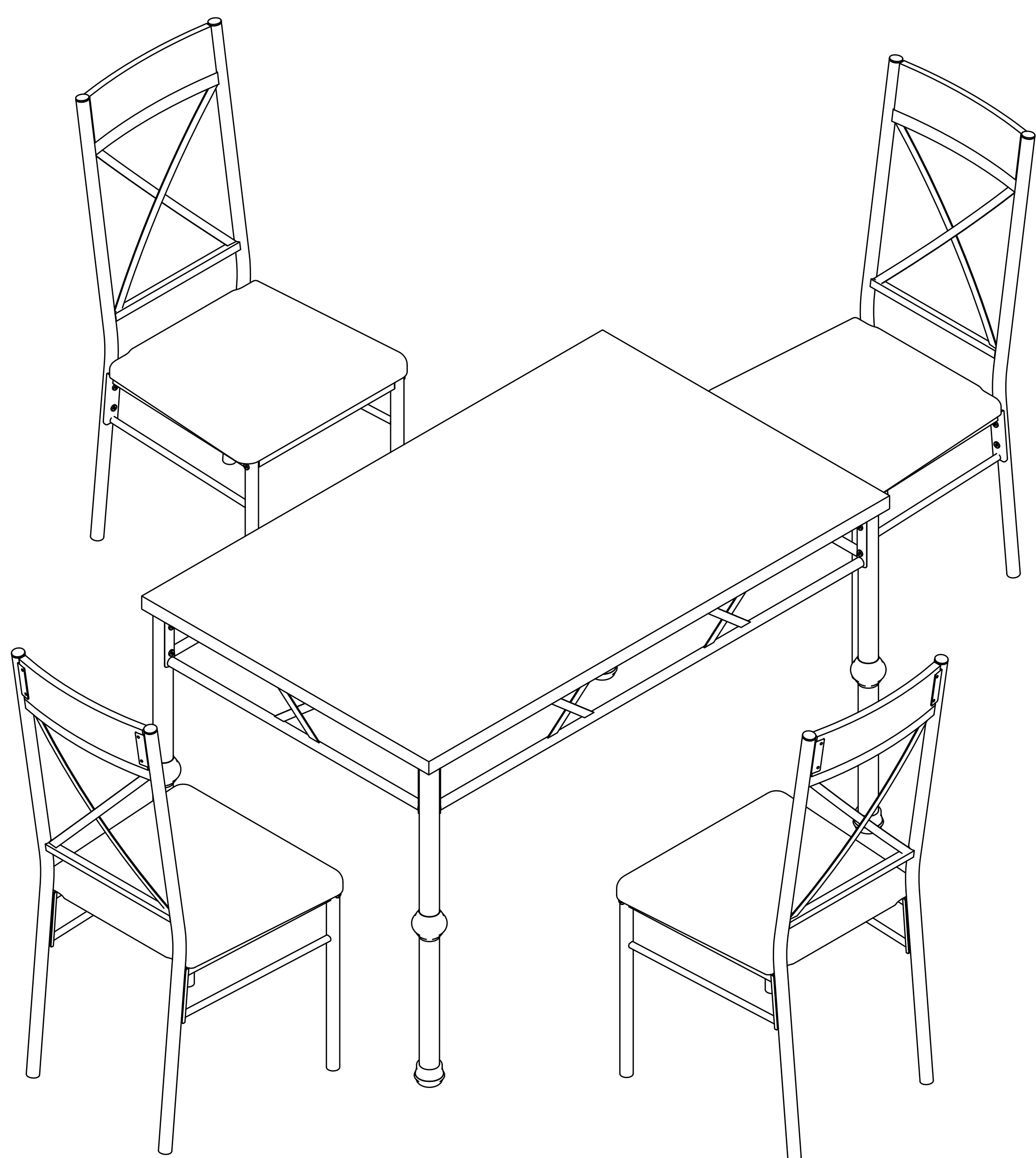


ASSEMBLY INSTRUCTION

689 5PC PACK DINETTE SET

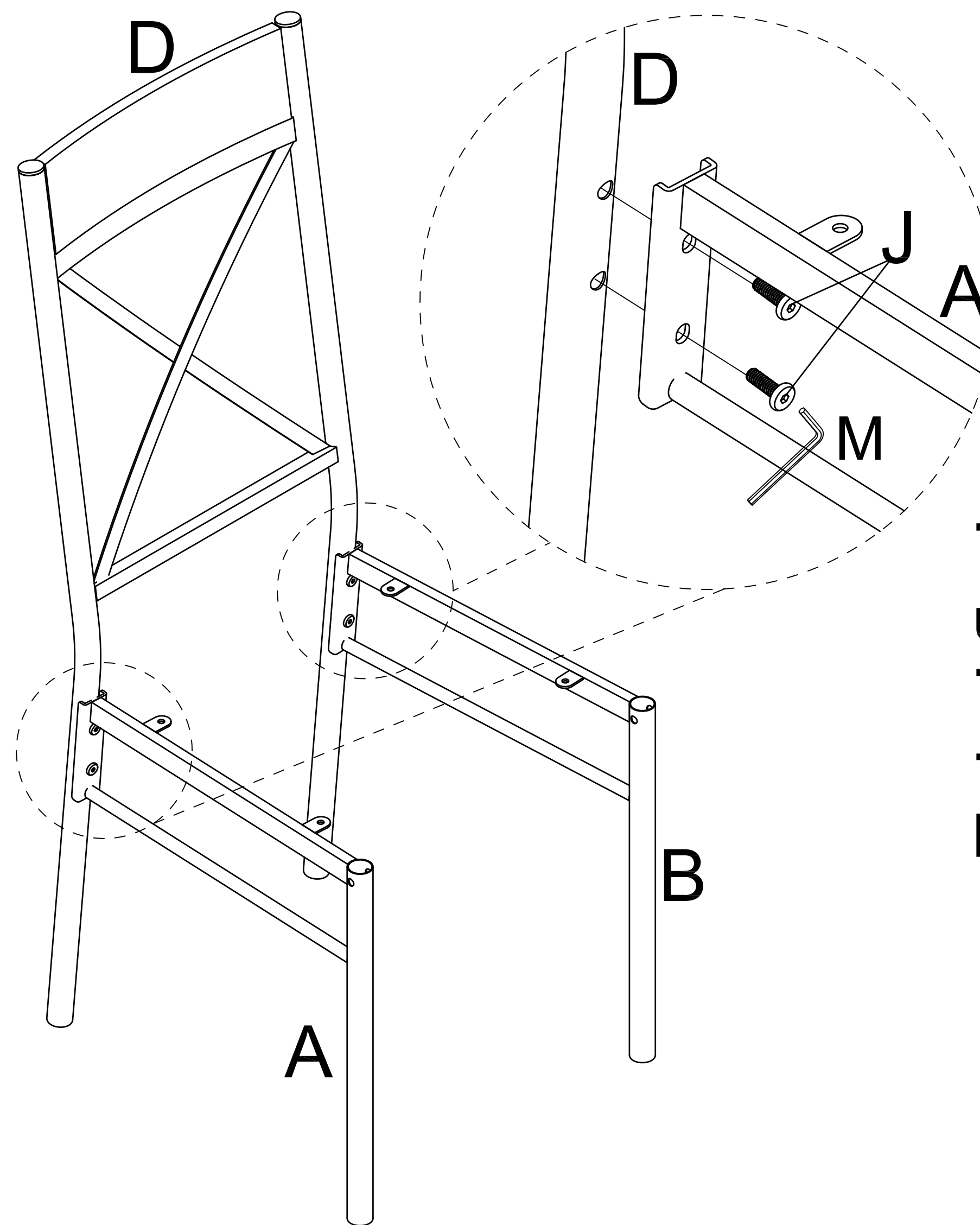
A Left Side Frame  4PCS	B Right Side Frame  4PCS	C Front Rail  4PCS	D Chair Back  4PCS
E Seat Cushion  4PCS	F Table Top  1PC	G Table Leg  4PCS	H Long Apron  2PCS
I Short Apron  2PCS	J Bolt 1/4"*16mm  32PCS	K Bolt 1/4"*43mm  8PCS	L Bolt M5*20mm  26PCS
M L-Allen Key 4mm  1PC			



This page lists all the contents included in the box. Please take the time to identify the hardware as well as the individual components to this product. As you unpack and prepare for assembly, place the contents on a carpeted or padded area to protect them from damage.

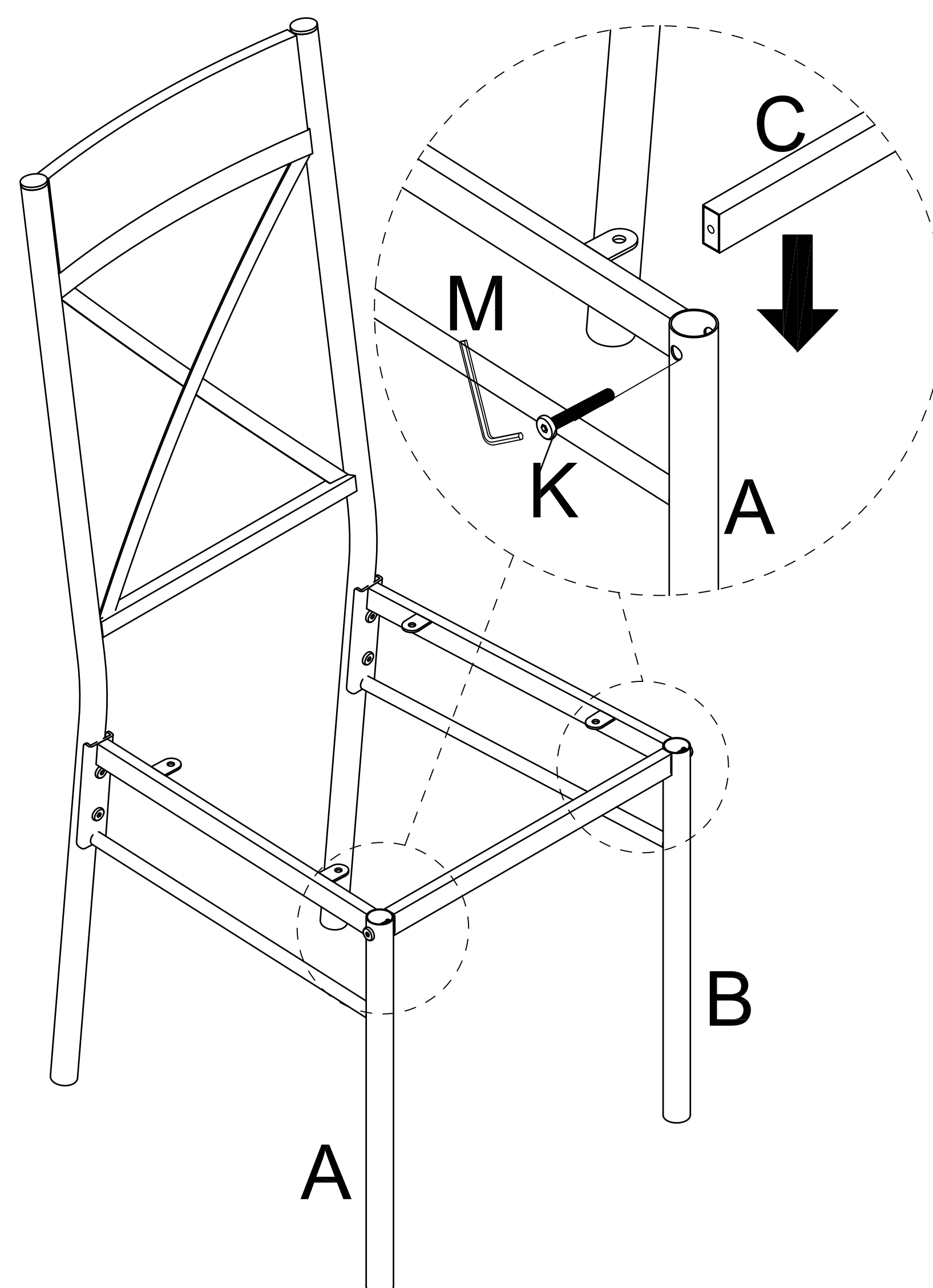
SIDE CHAIR

- 1** Attach the Left Side Frame (A) and Right Side Frame (B) to the Chair Back (D), insert the Bolt (J), turn the L-Allen Key (M) to tighten them.

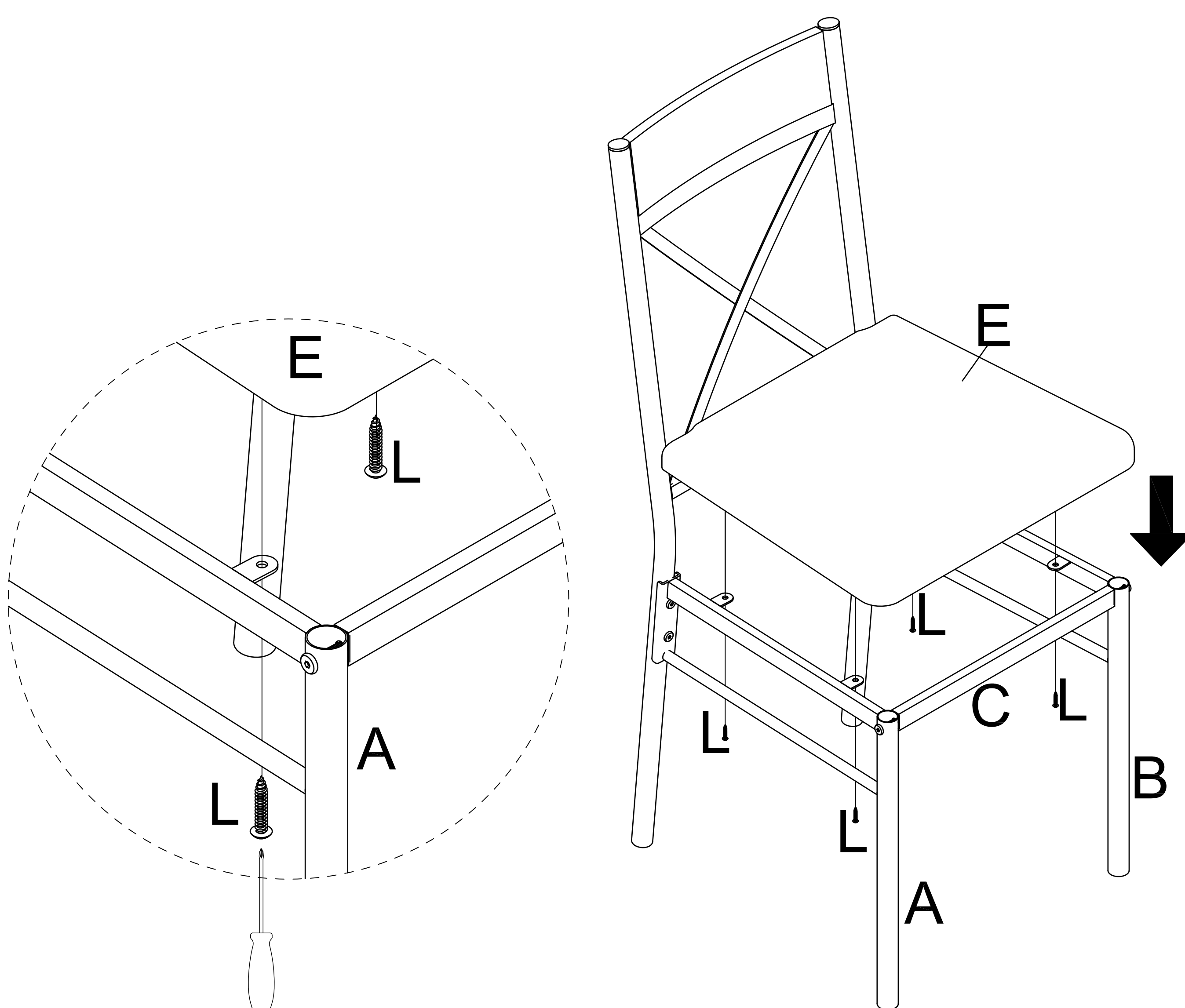


Take the Allen Key, and turn the bolts until the legs are secure. **DO NOT TIGHTEN COMPLETELY.** Stop when you feel you are adding force to tighten the bolts.

- 2** Attach the Front Rail (C) to the Left Side Frame (A) and Right Side Frame (B), insert the Bolt (K), turn the L-Allen Key (M) to tighten them.



- 3** Attach the Seat Cushion (E) to the seat, insert the Bolt (L) to tighten them.



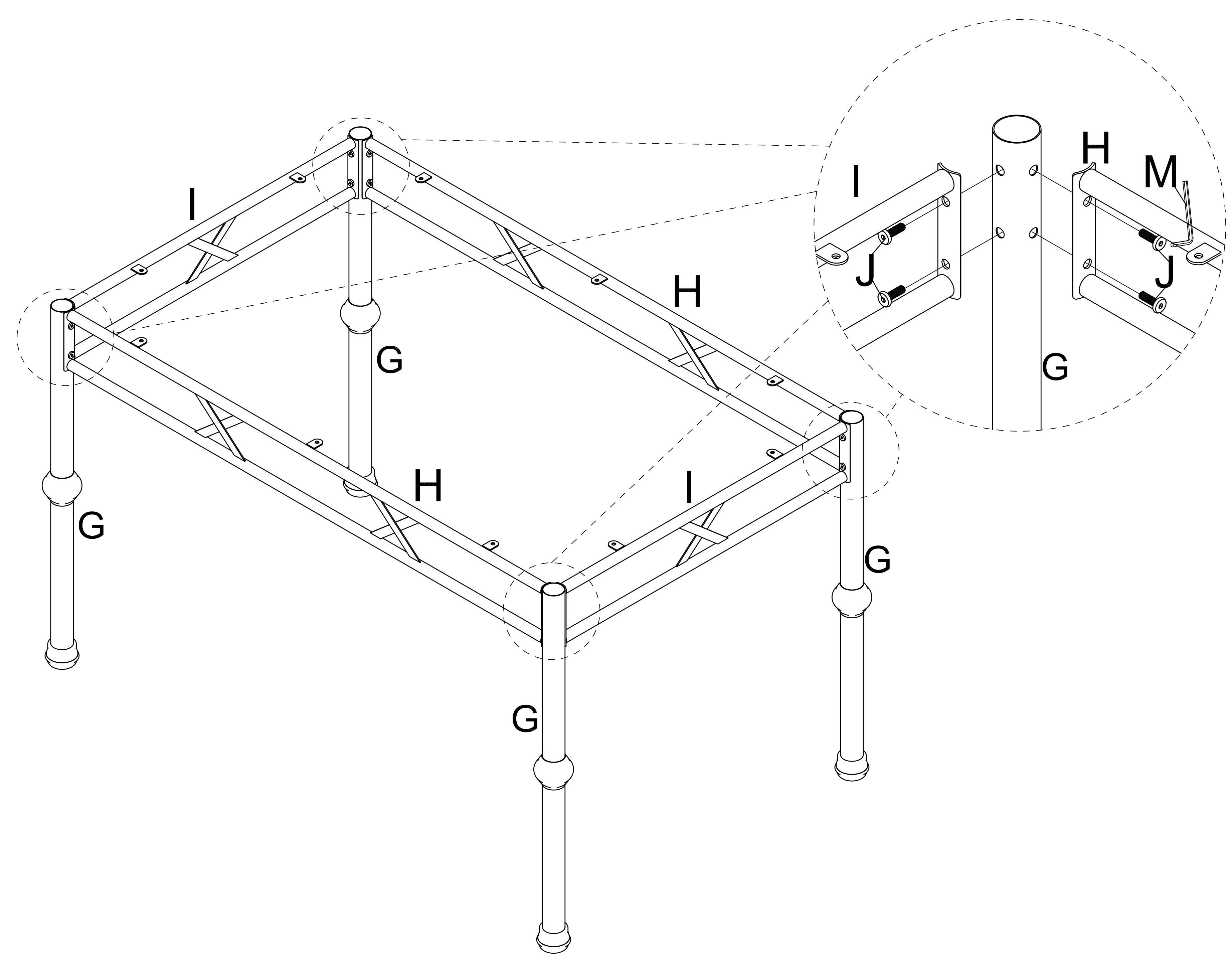
Not Provide

Stand chair up on an even surface and check that it is balanced. If there is a slight wobble, apply downward pressure in the corner where a leg is uneven. Keeping pressure in that corner, tighten all bolts. If balanced, apply downward pressure evenly in the center and tighten all bolts. Do not over-tighten beyond hole depth.

Helpful Tip:
-Instead of applying downward pressure while reaching under to tighten bolts, have someone sit in the chair while you tighten the bolts.

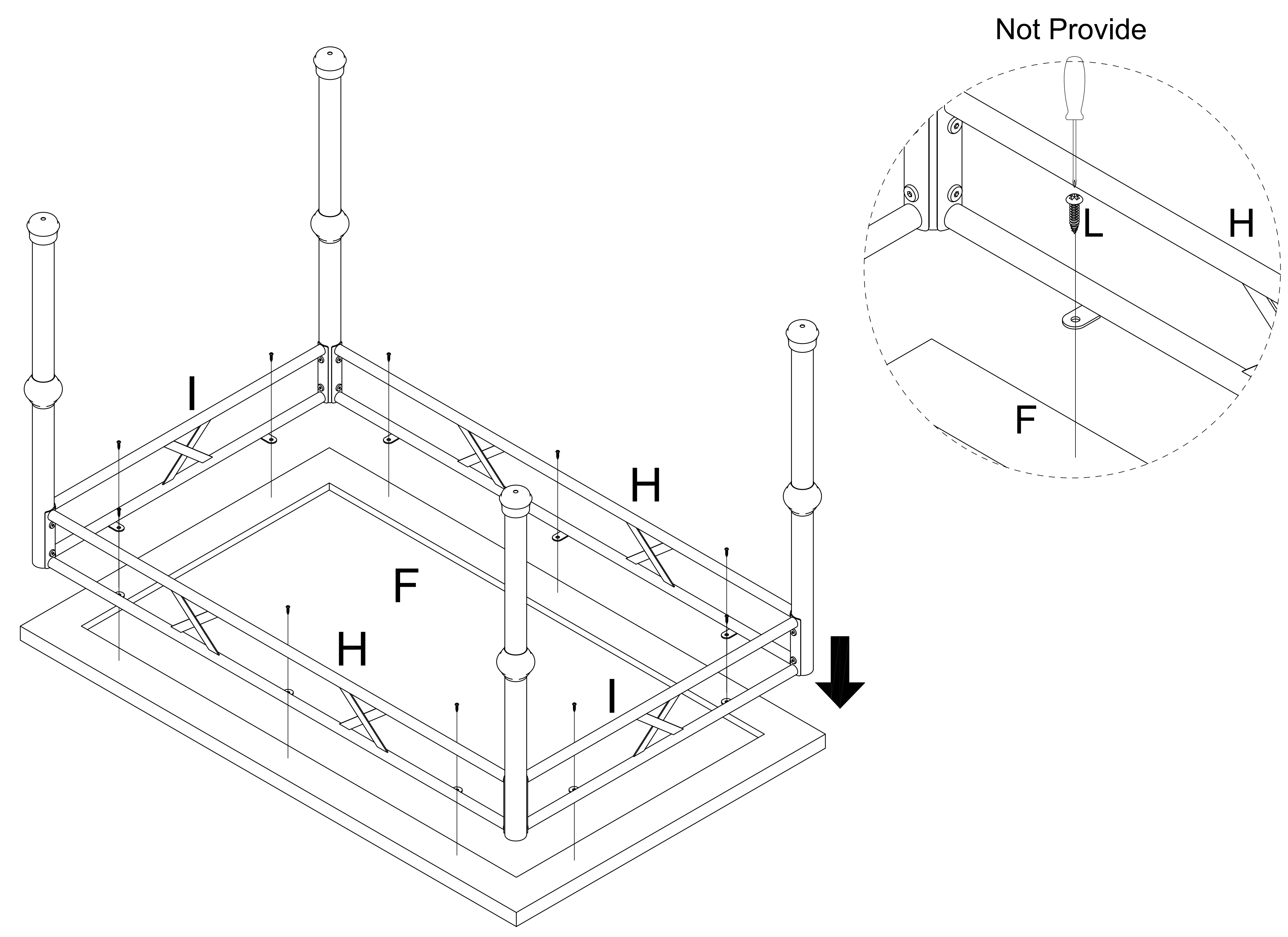
4

Attach the Table Leg (G) to the Long Apron (H) and Short Apron (I), insert the Bolt (J), turn the L-Allen Key (M) to tighten them.



5

Place the Table Top (F) on the smooth and stable carpeted or padded surface. Tighten attached table frame to Table Top (F) with Bolt (L).



Cleaning & Care

Treat surface with care. Surface is resistant to scratches but is not scratch resistant. Clean surfaces with a dry or damp soft cloth. Do not use abrasive cleaners. Hardware may loosen over time. Periodically check that all connections are tight.