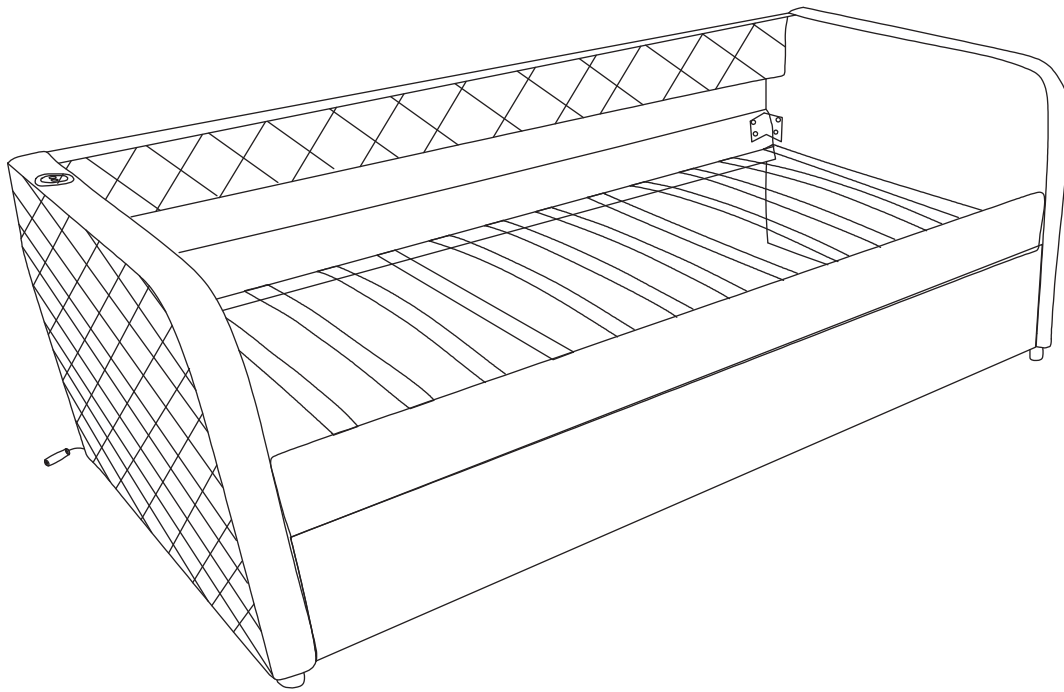
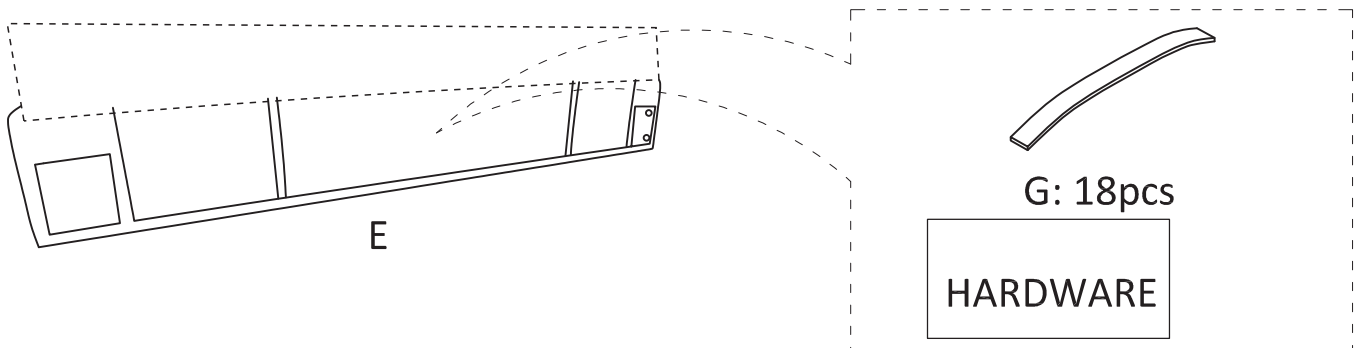


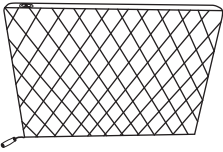
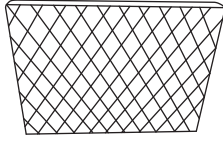
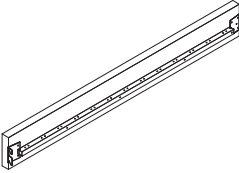
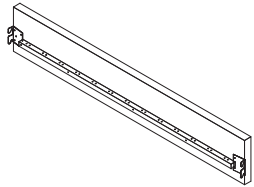
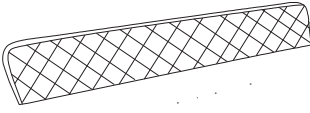

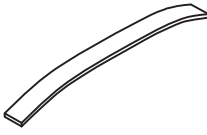
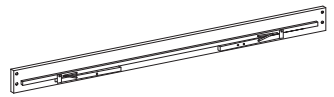
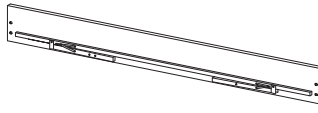
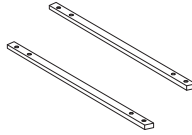
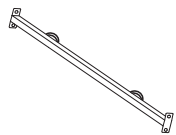
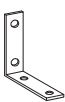

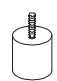
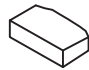
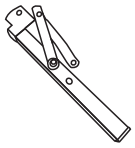

ASSEMBLY INSTRUCTION



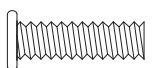
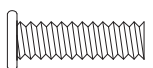
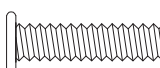
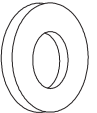

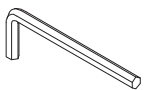
STEP :Packing Details



PARTS LIST

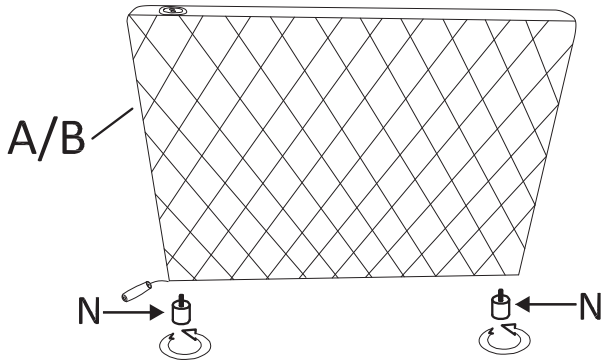
 A: 1pc	 B: 1pc	 C: 1pc	 D: 1pc	
 E: 1pc	 F: 6pcs	 G: 18pcs	 H: 1pc	
 I: 1pc	 J: 2pcs	 K: 2pcs	 L: 4pcs	
 M: 4pcs	 N: 4pcs	 O: 36pcs	 P: 4pcs	 Q: 1pc

HARDWARE LIST:

 M8*20 mm 1: 32 pcs	 M8*40mm 2: 20pcs	 M8*50mm 3: 4pcs	
 M8*20mm 4: 40pcs	 M8 5: 1pc	 6: 1pc	

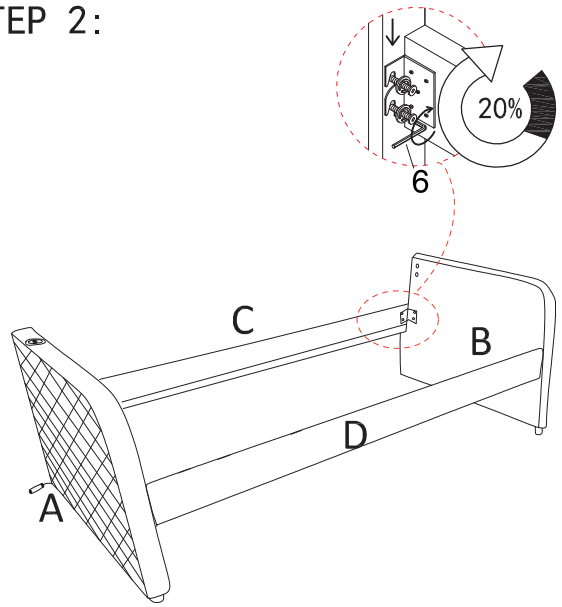
Assembly Steps




STEP 1:



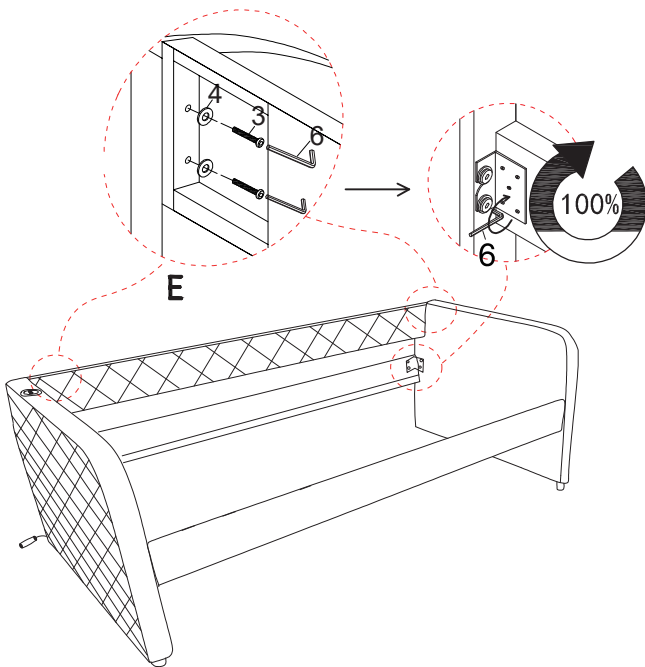
N: 4pcs




STEP 2:



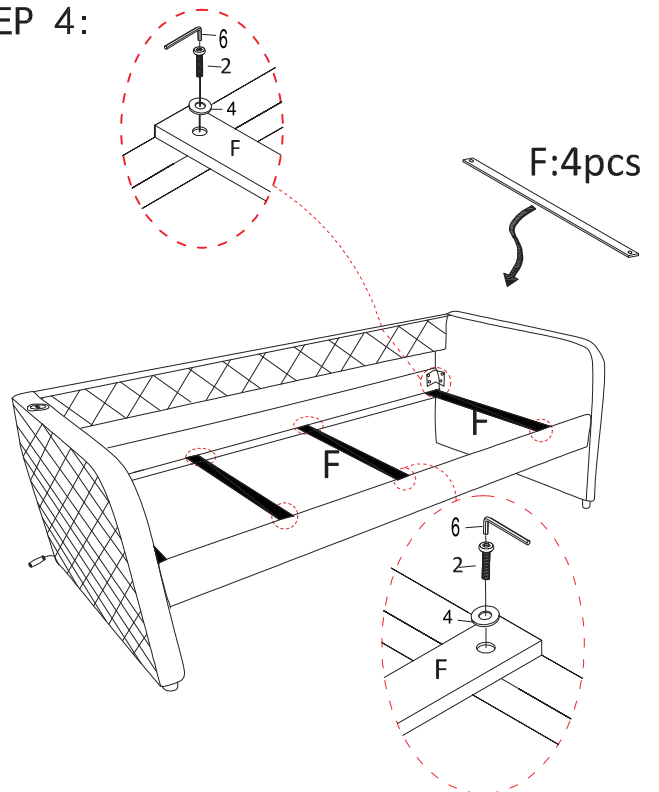
	4: 8PCS
	2: 8PCS
	6: 1PC




STEP 3:



	3: 4PCS
	6: 1PC
	4: 4PCS

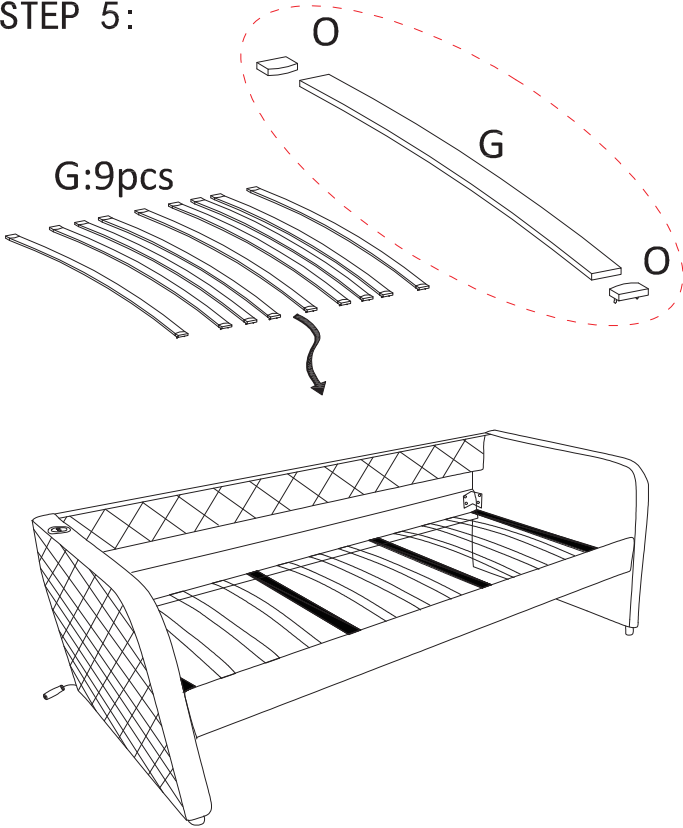
STEP 4:



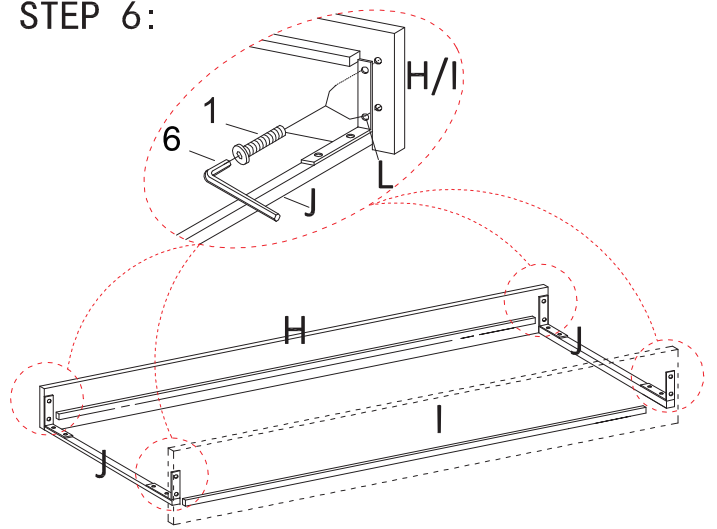
	2: 8PCS
	4: 8PCS
	6: 1PC

Assembly Steps

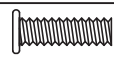
STEP 5:



STEP 6:



O :18 PCS

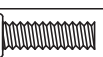
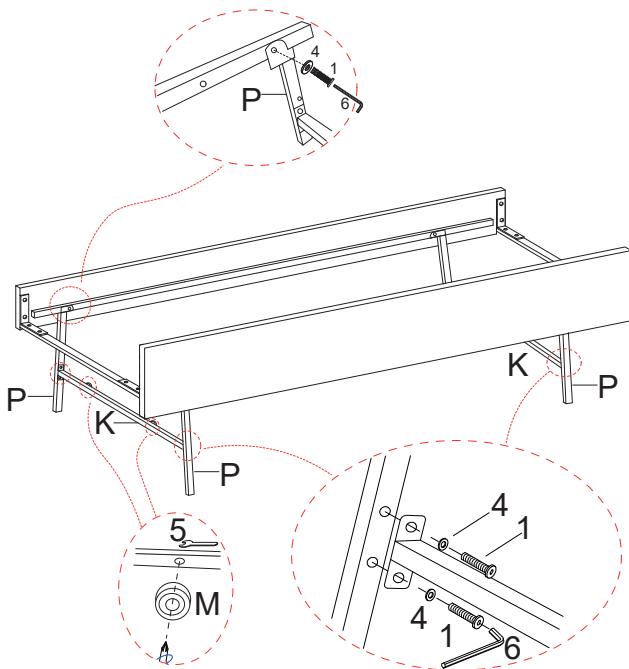


1 :16 PCS



6 : 1PC

STEP 7:



1 :12PCS



6 : 1PC



4 :12PCS

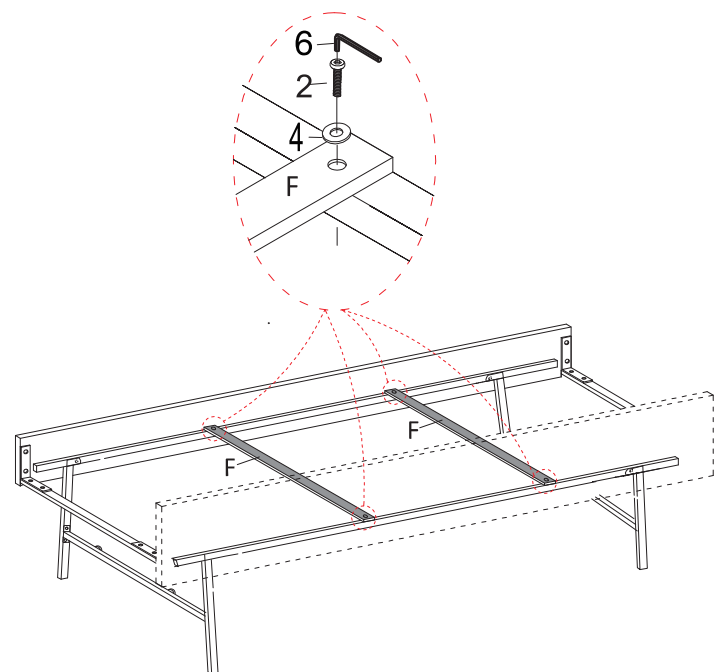


5 : 1PC



M: 4PCS

STEP 8:



2 : 4PCS



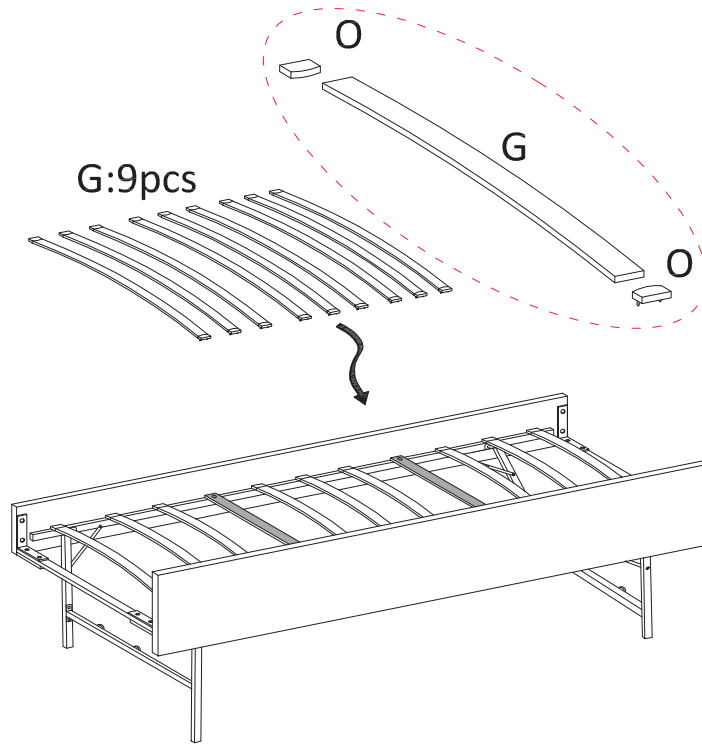
4 : 4PCS



6 : 1PC

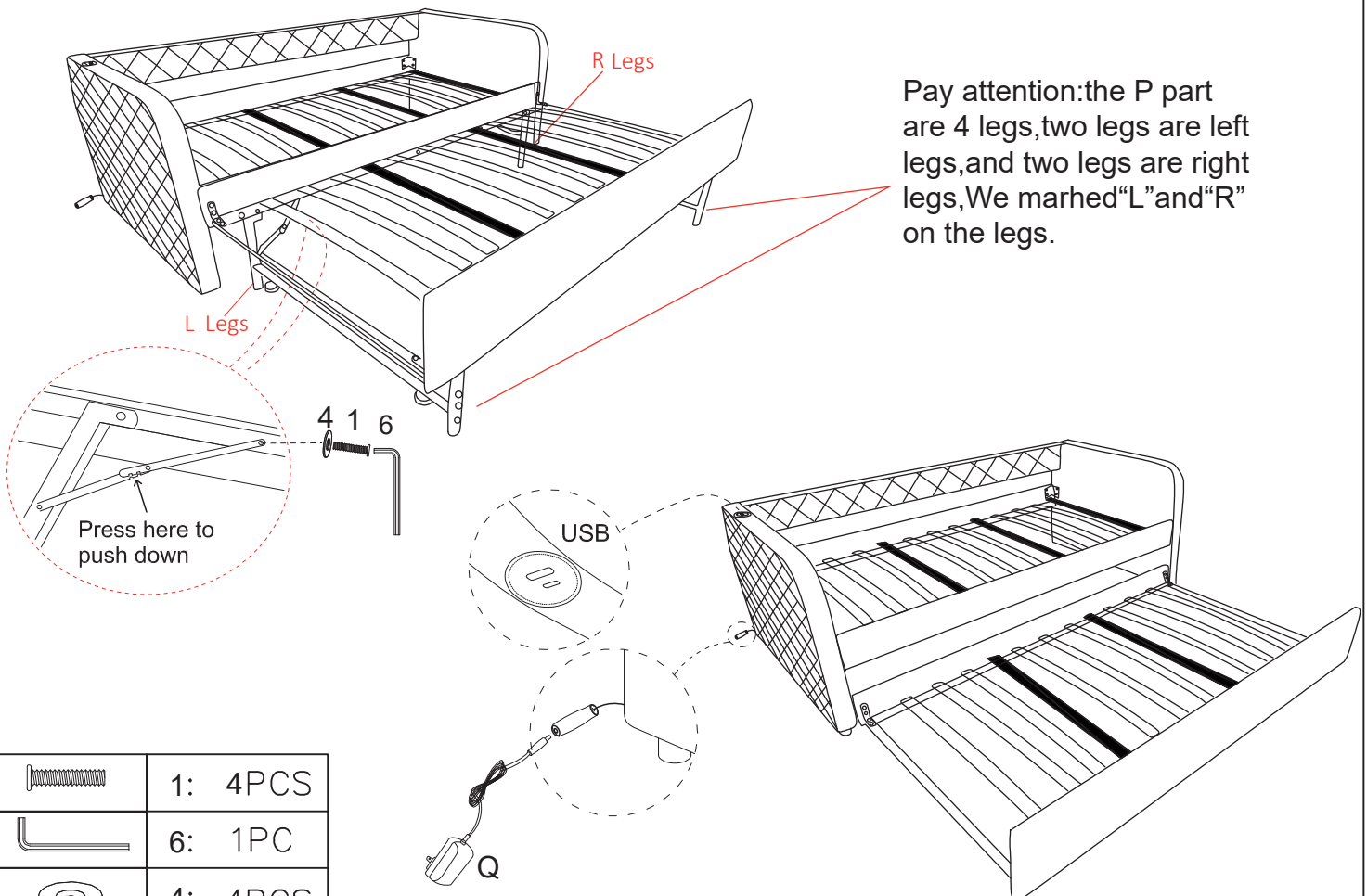
Assembly Steps

STEP 9:



O : 18 PCS

STEP 10:



Pay attention: the P part are 4 legs, two legs are left legs, and two legs are right legs, We marked "L" and "R" on the legs.

	1: 4PCS
	6: 1PC
	4: 4PCS