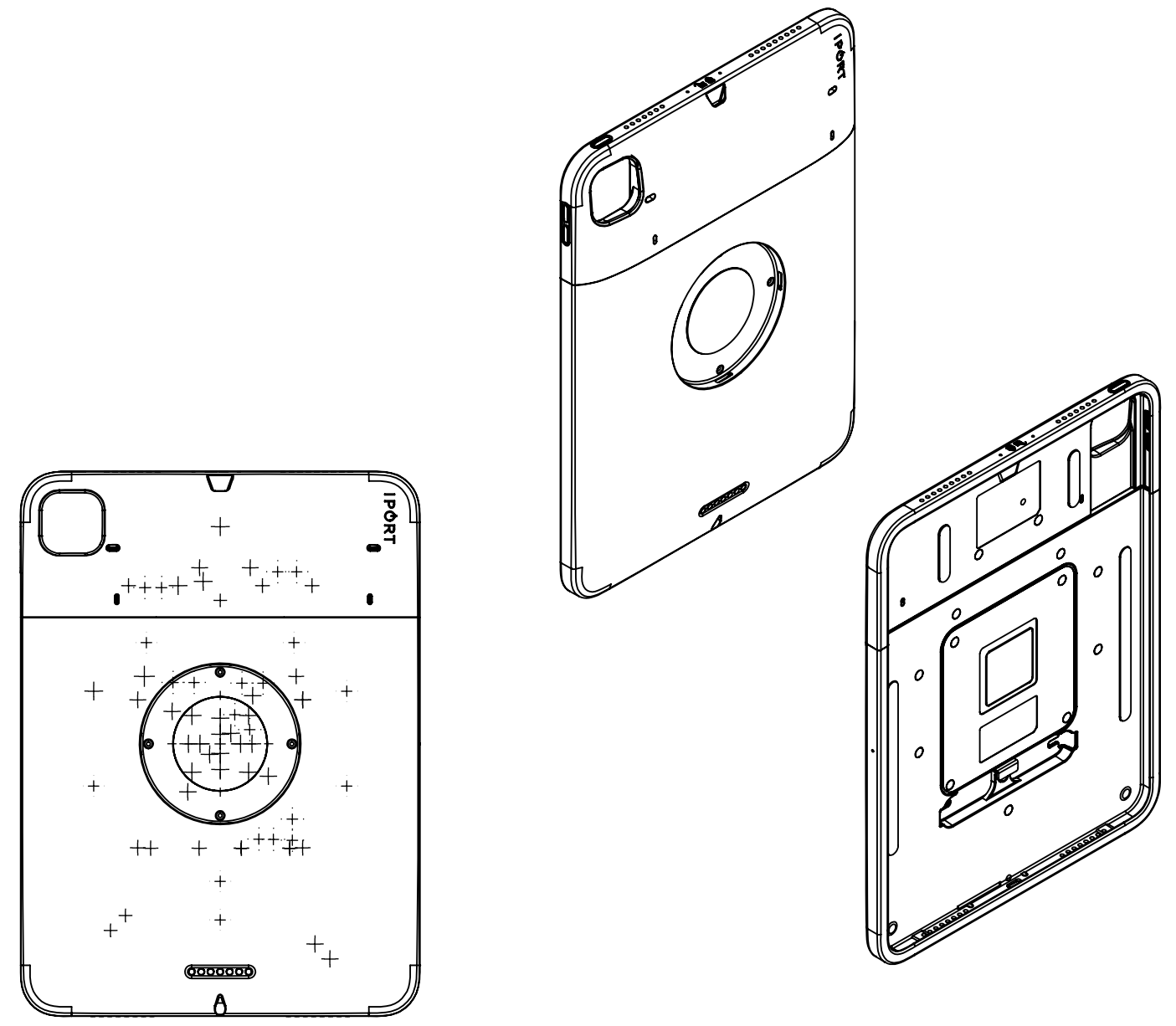
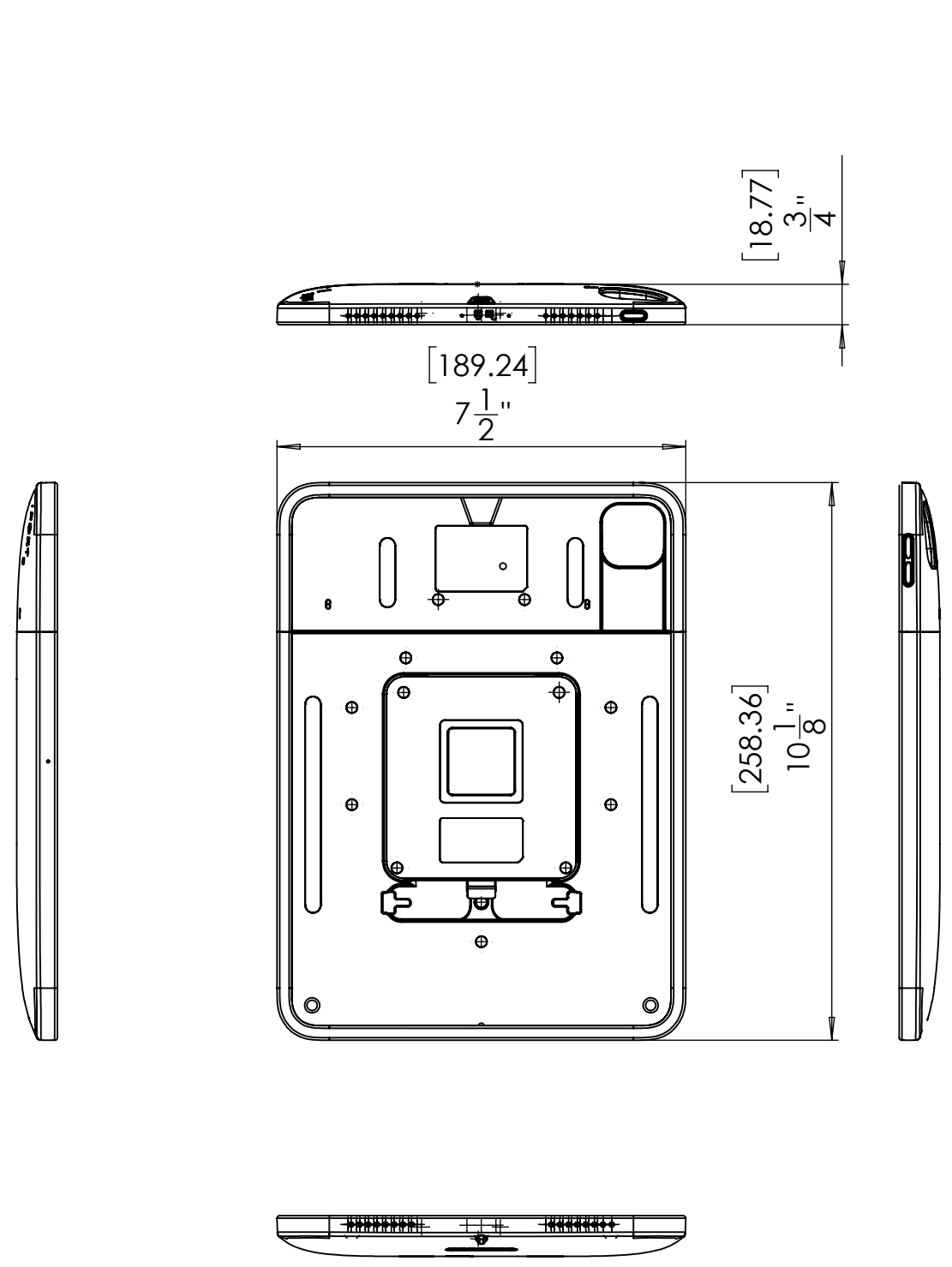


8 7 6 5 4 3 2 1

D
C
B
A

D
C
B
A



PROPRIETARY AND CONFIDENTIAL
 THE INFORMATION CONTAINED IN THIS DRAWING IS THE SOLE PROPERTY OF DANA INNOVATIONS. ANY REPRODUCTION IN PART OR AS A WHOLE WITHOUT THE WRITTEN PERMISSION OF DANA INNOVATIONS IS PROHIBITED.

UNLESS OTHERWISE SPECIFIED: DIMENSIONS ARE IN INCHES [MM]	DRAWN	NAME	DATE
TOLERANCES: FRACTIONAL ±	CHECKED		
ANGULAR ±	ENG. APP.	Alex Bertagni	26 Mar 20
TWO PLACE DECIMAL ±	MFG. APP.	Alex Bertagni	26 Mar 20
THREE PLACE DECIMAL ±	Q.A. APP.		
INTERPRET GEOMETRIC TOLERANCING PER:	COMMENTS:		
MATERIAL:			
FINISH:			
DO NOT SCALE DRAWING	RELEASED ON:		

		DANA INNOVATIONS	
TITLE: 72381 CONNECT CASE PRO 11 - AIR BLK			
SIZE	DWG. NO.	REV	
B		A	
SCALE: 1:3	WT:	SHEET 1 OF 1	

8 7 6 5 4 3 2 1