

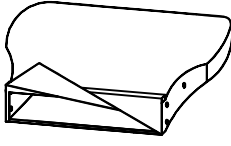
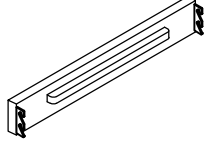
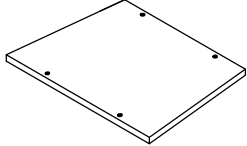
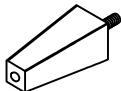
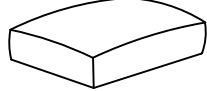
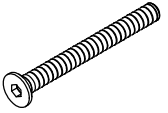



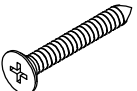

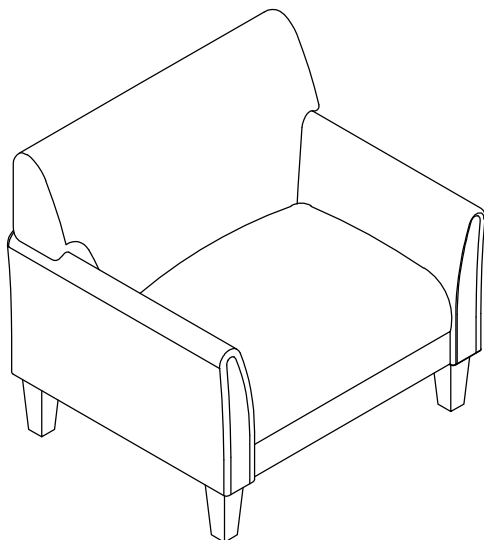


ASSEMBLY INSTRUCTION

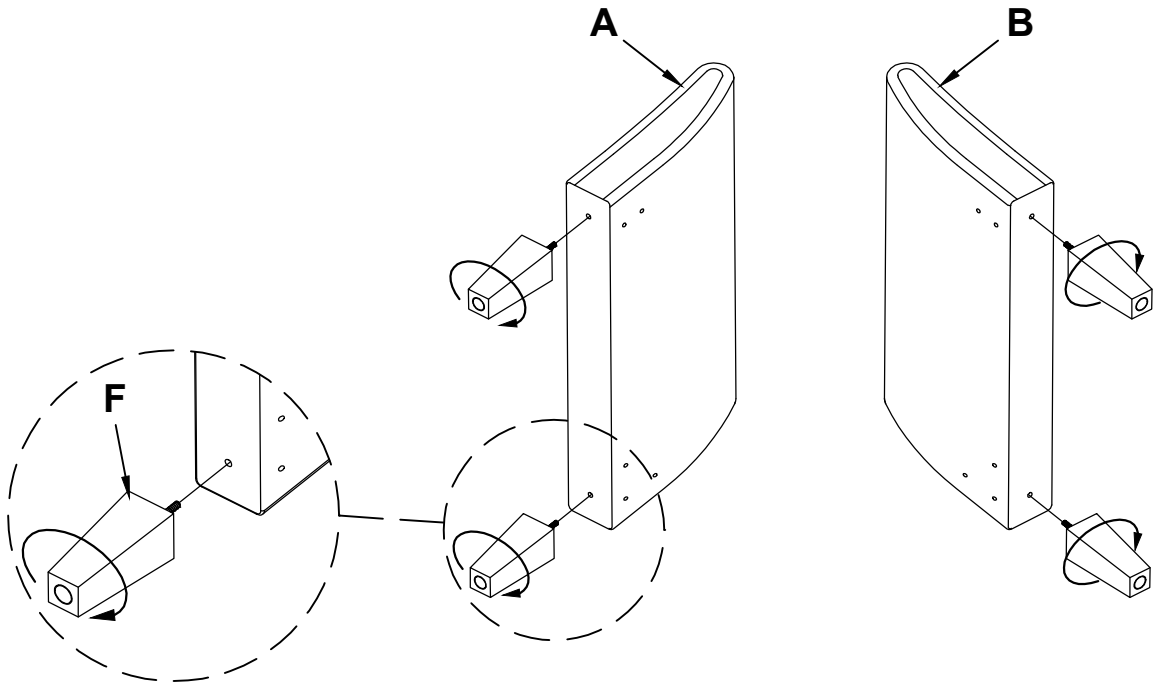
CHAIR

A Arm Frame - Left  1 PC	B Arm Frame - Right  1 PC	C Back Cushion  1 PC	D Stretcher  1 PC
E Seat Panel  1 PC	F Leg  4 PCS	G Seat Cushion  1 PC	H JCBC Bolt 5/16" x 2"  6 PCS
I JCBC Bolt 5/16" x 1"  4 PCS	J Flat Washer 5/16"  10 PCS	K Spring Washer 3/8"  10 PCS	L Screw 1-1/2"  4 PCS
M Allen Key M5  1 PC			



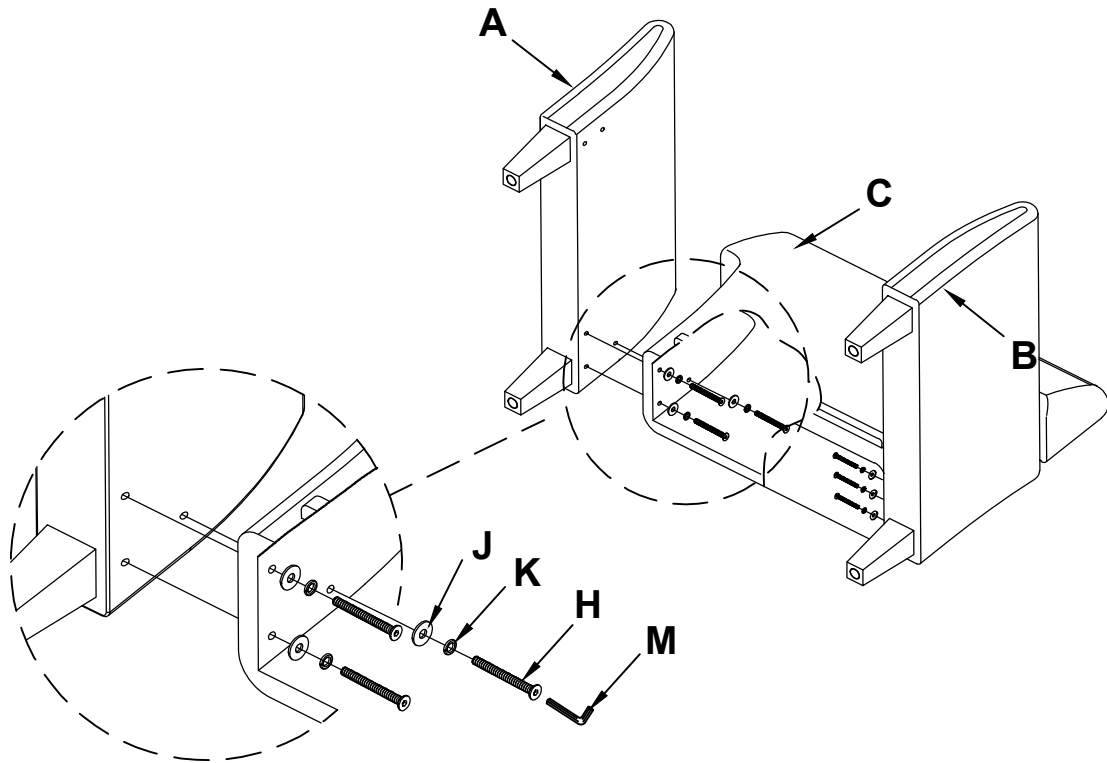
This page lists all the contents included in the box. Please take the time to identify the hardware as well as the individual components to this product. As you unpack and prepare for assembly, place the contents on a carpeted or padded area to protect them from damage.

1 Turn Leg (F) on Arm Frame - Left & Right (A & B) clockwise until they are tightly attached.



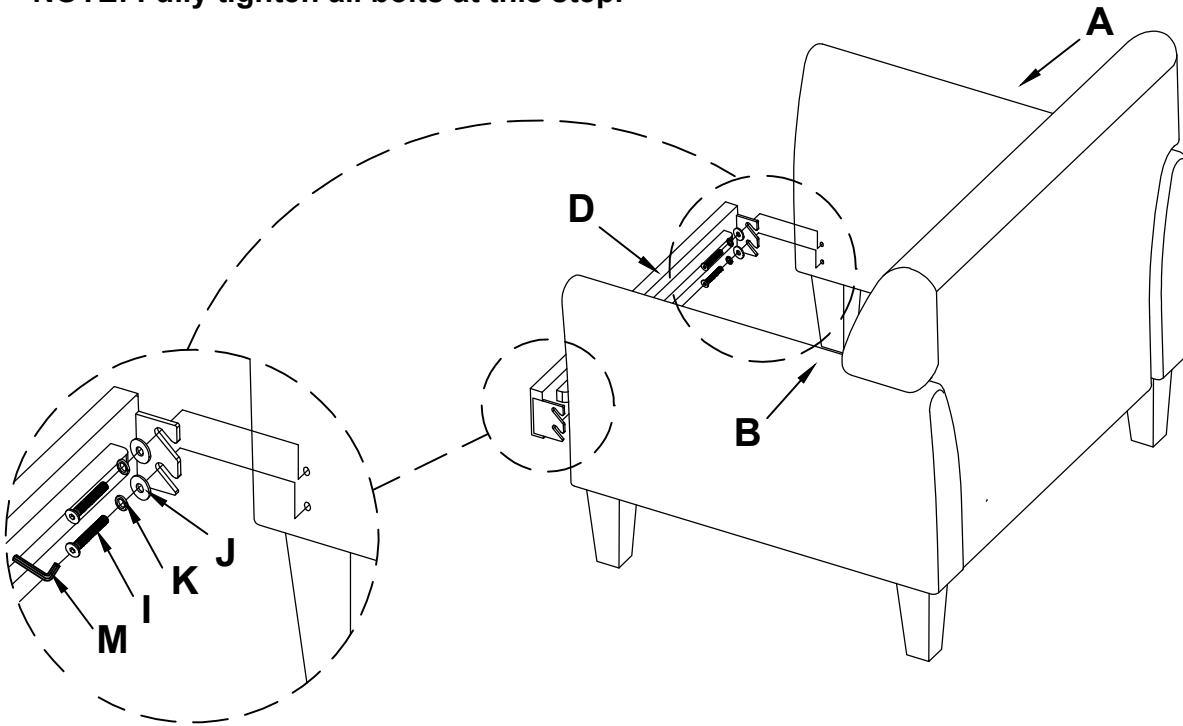
2 Attach Arm Frame - Left & Right (A & B) to Back Cushion (C) using JCBC Bolt (H), Spring Washer (K) and Flat Washer (J) with Allen Key (M).

NOTE: Do not fully tighten the bolts until the assembly is completed.



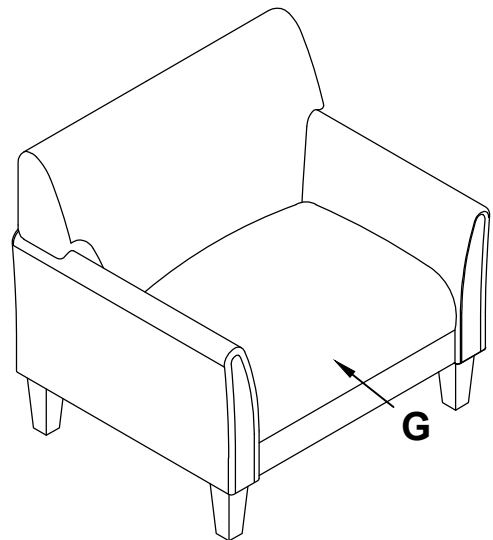
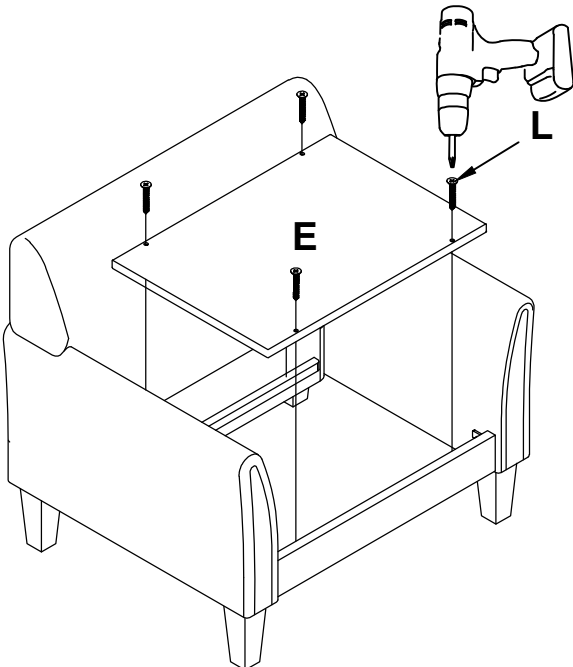
3 Attach Stretcher (D) on Arm Frame - Left & Right (A & B) using JCBC Bolt (I), Spring Washer (K) and Flat Washer (J) with Allen Key (M).

NOTE: Fully tighten all bolts at this step.



4 Attach Seat Panel (E) on the Chair using Screw (L) with screwdriver (not provided).

5 Put Seat Cushion (G) on Seat Panel (E).



Cleaning & Care

Treat surfaces with care. Surfaces are resistant to scratches but are not scratch resistant. Clean surfaces with a dry or damp soft cloth. Do not use abrasive cleaners. Hardware may loosen over time. Periodically check that all connections are tight.

Furniture Care & Cleaning Instructions

Wood Furniture Care & Cleaning Instructions

To maintain the quality of your wood furniture, do not expose it to direct sunlight or excessive temperatures; extreme changes in humidity can cause warping. Always use coasters, pads, cloth or felt to protect the furniture surface. Use protective mats under hot dishes. Use a protective pad when writing with a pen. Lift objects rather than dragging them over the furniture surface. Blot spills immediately with a clean cloth. Dust often using a soft, clean, lint-free cloth. Avoid harsh fabrics, paper towels or disposable dusting towels as they may scratch the surface. Use a non-silicone and non-wax polish; do not use soap, water or wax.

Metal & Ceramic Furniture Care & Cleaning Instructions

To clean, wipe with a sofa damp cloth. Avoid the use of chemical and abrasive cleaners. Wipe up spills immediately. For glass tops and shelves, glass cleaner may be used, but avoid spraying it onto the metal or ceramic frame.

Wicker & Woven Furniture Care & Cleaning Instructions

For daily care, simply wipe clean using a soft, dry cloth. To protect the finish, avoid the use of abrasive chemicals, harsh cleaners and rough cleaning pads and polishes. To remove lodged debris, we recommend using a vacuum with a brush attachment.

Leather Furniture Care & Cleaning Instructions

For minor spots and spills, immediately wipe with a soft white cloth dampened with distilled water and let air-dry. Do not dry with hair dryers, heaters, ect.

For spills or butter, oil or grease, wipe up any excess with a clean, dry cloth. Do not apply water or try to wash the spot. Leave spot alone, the spot should dissipate into leather after a short period of time.

To keep the leather supple and prevent fading, protect it from exposure to direct sunlight and heating vents. Dust with a clean soft cloth. Vacuum crevices regularly. Moisturize with an application of distilled water on a soft clean cloth. Do not use the following products: Saddle soap, cleaning solvents, furniture polish, oils, varnish, abrasive cleaners. In addition, refer to specific care instructions provided with your furniture piece.