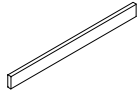
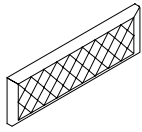


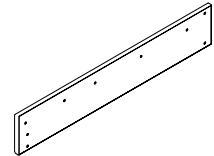
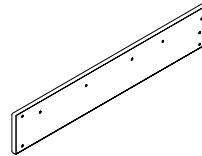
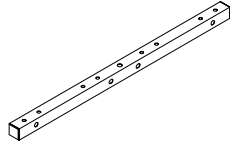
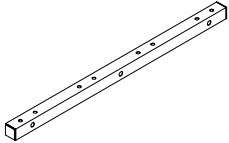
ASSEMBLY INSTRUCTION

PLATFORM EASTERN KING BED

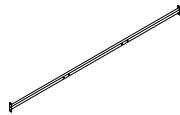
A Headboard **B** Footboard **C** Lsf Headboard Post **D** Rsf Headboard Post



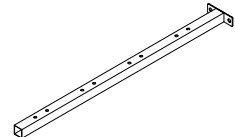
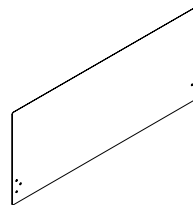
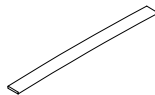
E 1PC Rail Cleat - Front / Rear **F** 1PC Rail Cleat - Center **G** 1PC Rail Section - Front **H** 1PC Rail Section - Rear



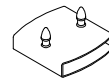
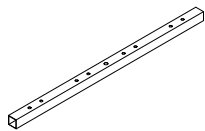
I 4PCS Center Support Bar **J** 2PCS Headboard Support Bar **K** 2PCS Rail Support Leg **L** 2PCS Leg



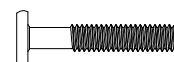
M 1PC Side Slat Connector **N** 1PC Slat **O** 2PCS Fabric Cover **P** 2PCS Center Rail - Front / Rear



Q 24PCS Center Rail - Center **R** 36PCS Center Support Leg **S** 1PC Center Slat Connector **T** 4PCS Bracket 150 x 40 x 40mm



U 2PCS Bolt 5/16" x 19mm **V** 4PCS Bolt 1/4" x 45mm **W** 24PCS Bolt 1/4" x 40mm **X** 4PCS Bolt 5/16" x 54mm



12PCS

4PCS

20PCS

8PCS

Y Bolt
1/4" x 19mm



32PCS

Z Washer
Ø20 x Ø8.5 x 2mm



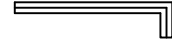
26PCS

AA Nut
1/4"



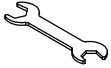
4PCS

AB L-Allen Key
4mm

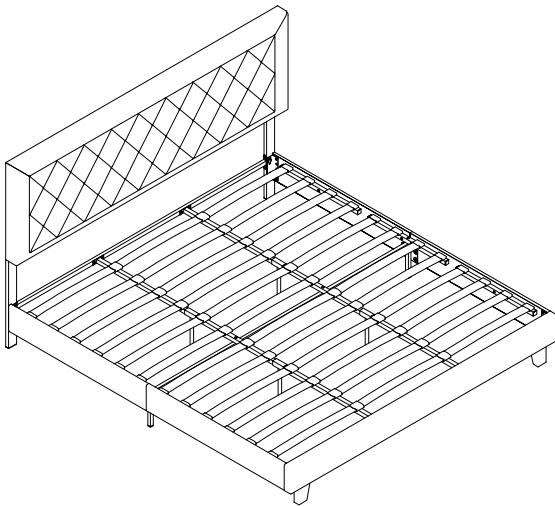


1PC

AC Wrench
1/4" x 5/16"



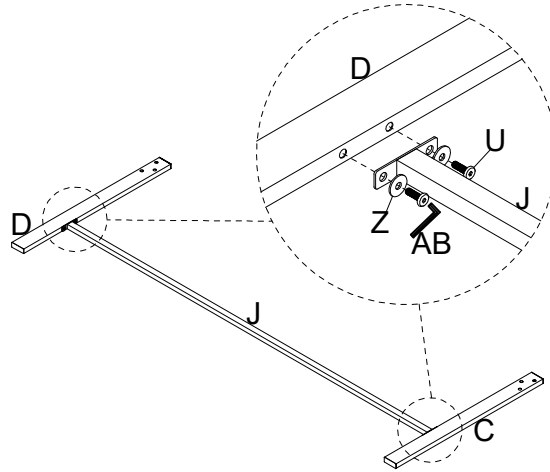
1PC



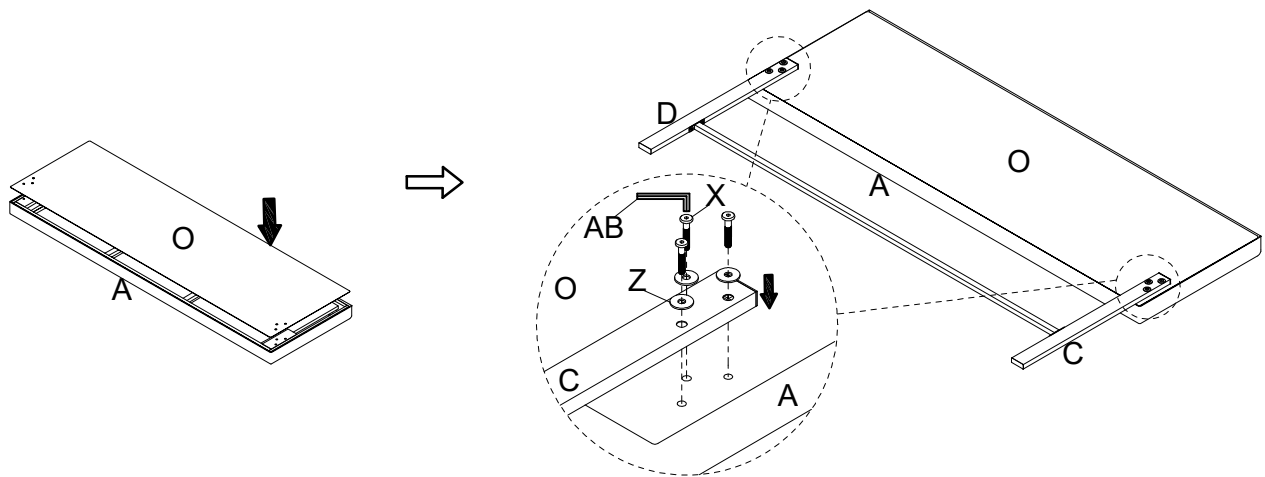
These pages list all the contents included in the box. Please take the time to identify the hardware as well as the individual components to this product. As you unpack and prepare for assembly, place the contents on a carpeted or padded area to protect them from damage.

1

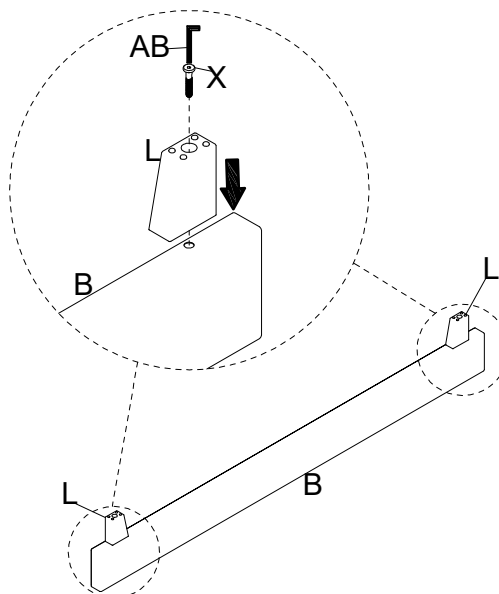
Attach the Headboard Support Bar (J) to the Headboard Posts (C) & (D), insert the Bolt (U) and the Washer (Z), turn the L-Allen Key (AB) to tighten them.

**2**

Cover the Fabric Cover (O) to the back of Headboard (A). Attach the Lsf Headboard Post (C) and Rsf Headboard Post (D) to Fabric Cover (O) and the Headboard (A), insert the Bolt (X) and the Washer (Z), turn the L-Allen Key (AB) to tighten them.

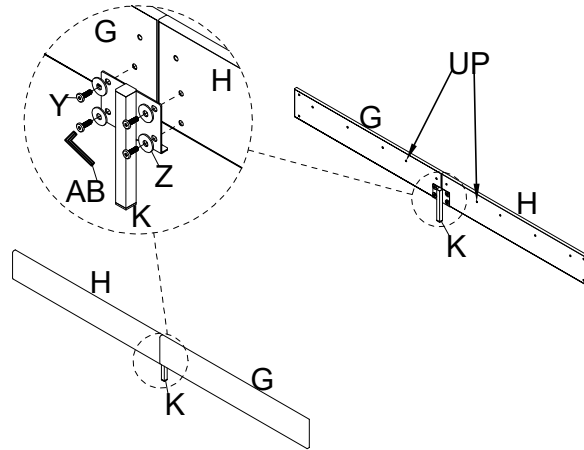
**3**

Attach Leg (L) to the Footboard (B), insert the Bolt (X), turn the L-Allen Key (AB) to tighten them.

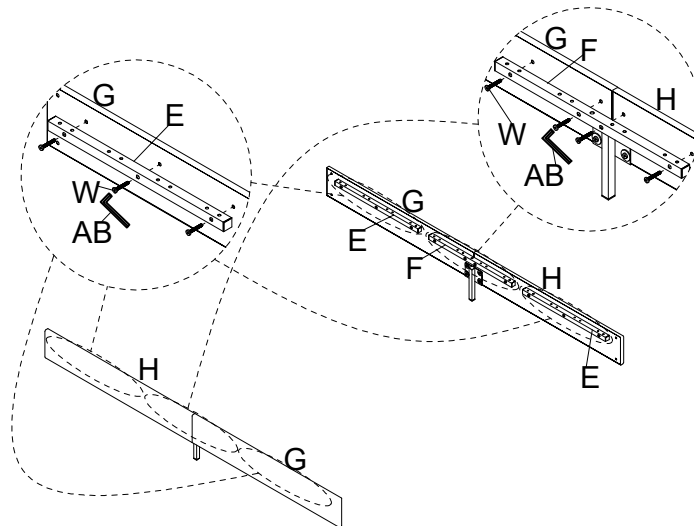


4

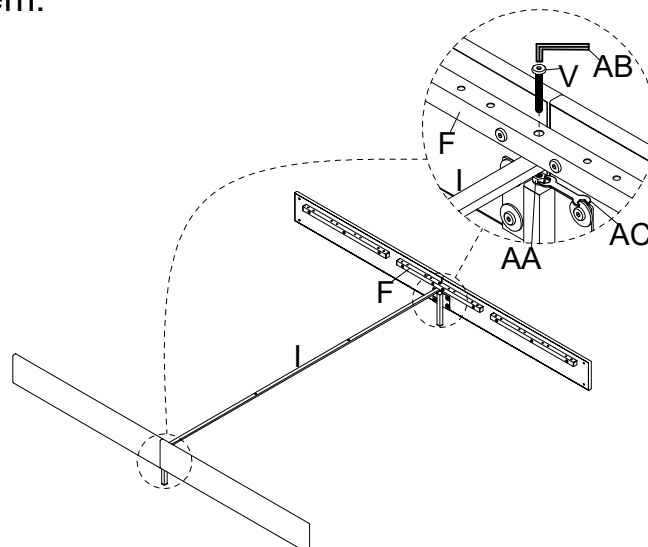
Attach the Rail Support Leg (K) to the Rail Sections (G) & (H), insert the Bolt (Y) and Washer (Z), turn the L-Allen Key (AB) to tighten them.
 NOTE: The side with more screw holes should be up.

**5**

Attach the Rail Cleats (E) & (F) to the Rail Sections (G) & (H), insert the Bolt (W), turn the L-Allen Key (AB) to tighten them.

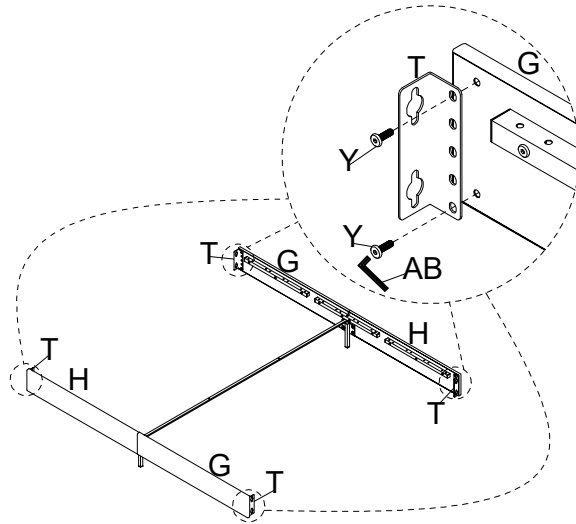
**6**

Attach the Center Support Bar (I) to the Rail Cleat - Center (F), insert the Bolt (V) and Nut (AA), turn the L-Allen Key (AB) and Wrench (AC) to tighten them.

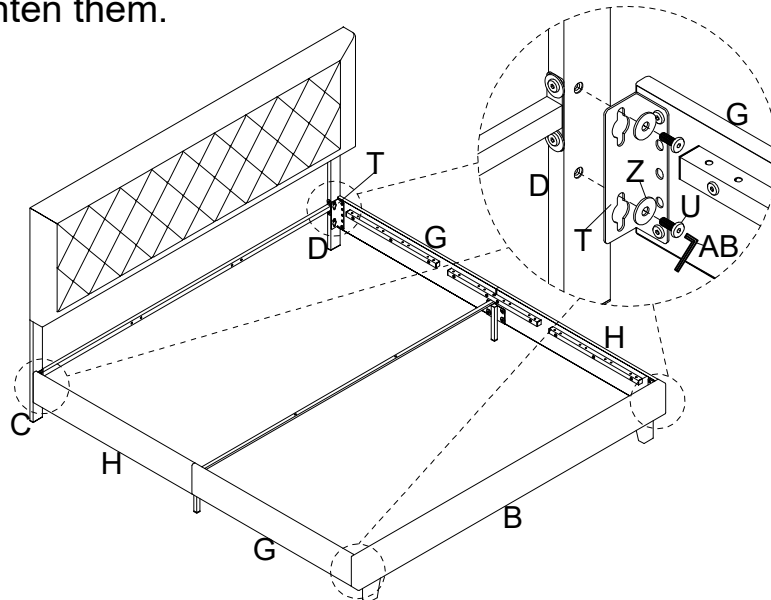


7

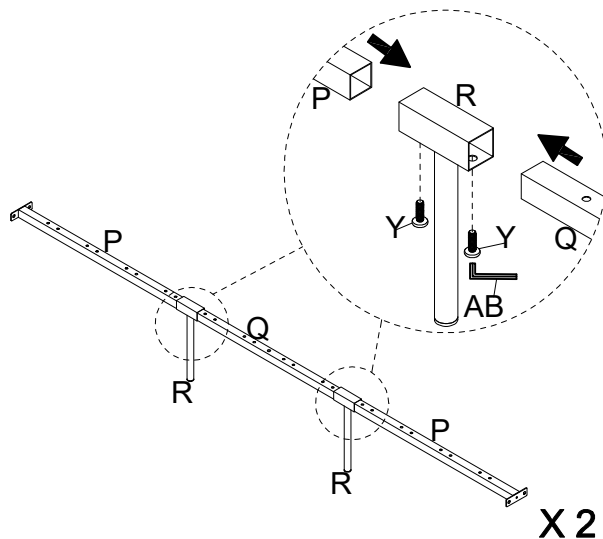
Attach the Bracket (T) to the Rail Sections (G) & (H), insert the Bolt (Y), turn the L-Allen Key (AB) to tighten them.

**8**

Attach the Bracket (T) to the Headboard Posts (C) & (D) and the Footboard (B), insert the Bolt (U) and Washer (Z), turn the L-Allen Key (AB) to tighten them.

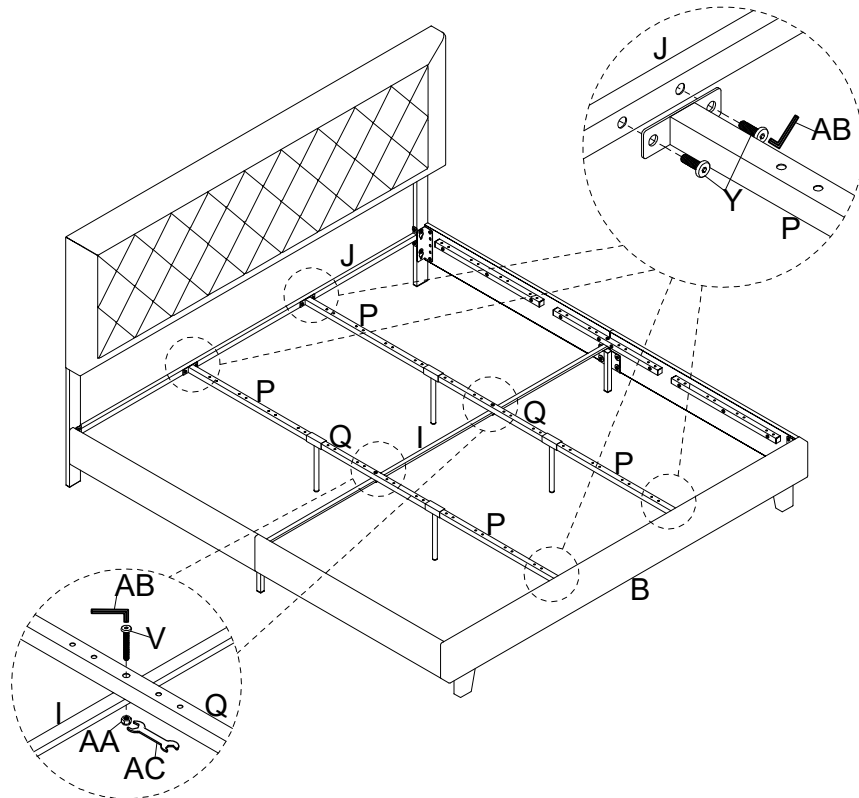
**9**

Attach the Center Support Leg (R) to the Center Rails (P) & (Q), insert the Bolt (Y), turn the L-Allen Key (AB) to tighten them.

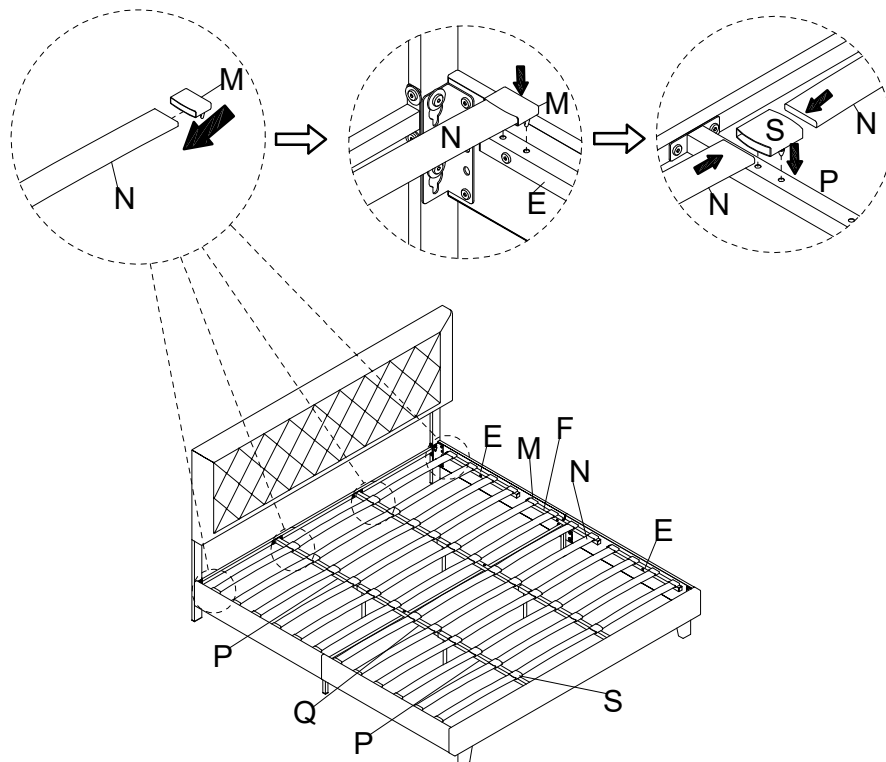


10

Attach the Center Rails (P) & (Q) to the Headboard Support Bar (J), the Footboard (B), and Center Support Bar (I), insert the Bolt (Y), Bolt (V) and Nut (AA), turn the L-Allen Key (AB) and Wrench (AC) to tighten them.

**11**

Insert the Side Slat Connector (M) to the Slat (N). Press the Side Slat Connector (M) to the holes of Rail Cleats (E) & (F). Insert another side of Slat (N) to the Center Slat Connector (S), press the Center Slat Connector (S) to the holes of Center Rails (P) & (Q).



Cleaning & Care

Treat surface with care. Surface is resistant to scratches but is not scratch resistant. Clean surfaces with a dry or damp soft cloth. Do not use abrasive cleaners. Hardware may loosen over time. Periodically check that all connections are tight.