



3 SERIES MICROWAVE OVEN

Viking 3 Series – RVM

FEATURES AND FUNCTIONS

- Instant sensor settings for cooking, reheating foods, and popping popcorn
- Fast action keys save time and make microwaving easy
- Defrost programs quickly defrost meat and poultry by weight
- Add-A-Minute adds one minute of extra cooking time with the touch of a button
- Child lock safety feature locks the control panel to prevent unwanted operation



SPACIOUS OVEN CAVITY

- 2.0 cubic ft. oven capacity
 - 17-3/8" wide
 - 10-1/2" high
 - 18-5/8" deep
- 16" diameter turntable
- Interior light

INSTALLATION OPTIONS

- Place on countertop or install as a built-in using the optional trim kit accessory
- Built-in trim kits designed to match corresponding ovens and warming drawers (sold separately)

MODEL NUMBERS

- RVM320 – 30"W. Conventional Microwave Oven

ACCESSORIES

- RVMTK330 – 30"W. Built-In Trim Kit

COLOR FINISHES

- Available in Stainless Steel (SS)



WARRANTY

- 2-year full – complete product
- 90-day full – cosmetic parts such as glass, painted items and decorative items
- 5-year limited – magnetron tube

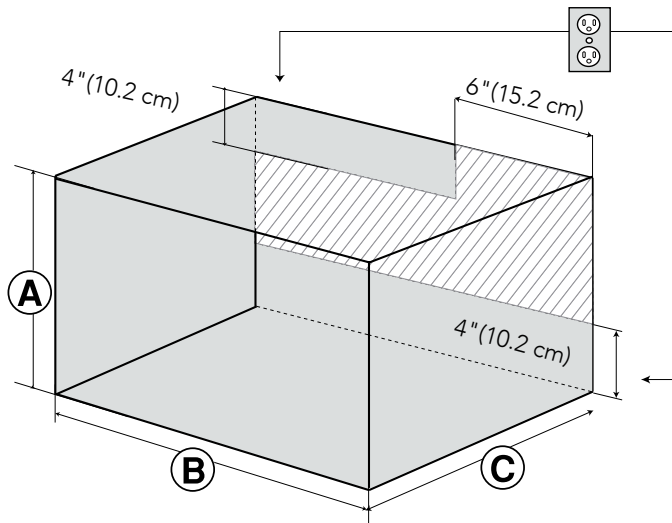


3 SERIES MICROWAVE OVEN

Viking 3 Series – RVM

	MICROWAVE OVEN	30" WIDE TRIM KIT
DESCRIPTION	RVM320	RVMTK330
Overall Width	24" (60.9 cm)	29-1/2" (74.9 cm)
Overall Height	13-3/8" (33.9 cm)	17-1/4" (43.8 cm)
Overall Depth	19-1/4" (48.9 cm)	-
Cutout Width	-	27-3/4" (70.5 cm) minimum 28" (71.1 cm) maximum
Cutout Height	-	16-9/16" (42.1 cm) minimum 16-13/16" (42.7 cm) maximum
Cutout Depth	-	20" (50.8 cm) minimum
Electrical Requirements	120VAC/60Hz	-
Maximum Amp Usage	1.5 kW, 13.0 amps	-
Oven Interior Dimensions	Width – 17-3/8" (44.1 cm) Height – 10-1/2" (26.6 cm) Depth – 18-5/8" (47.3 cm) Overall Size – 2.0 cu. ft.	-
Approximate Shipping Weight	46 lb. (20.9 kg)	15 lb. (6.9 kg)

Please do not prepare installation from brochure data only. See installation instructions for important clearance/installation information.



	CUTOUT DIMENSIONS
A	16-9/16" (42.1 cm) min. Standard – 16-13/16" (42.7 cm) max.
B	27-3/4" (70.5 cm) min. Standard – 28" (71.1 cm) max.
C	20" (50.8 cm) min.



VIKING RANGE, LLC 111 FRONT STREET GREENWOOD, MISSISSIPPI 38930 USA

For detailed product information, model numbers, or to request a quote call 1-888-845-4641 or visit vikingrange.com

© 2025 Viking Range, LLC All rights reserved. Specifications subject to change without notice.