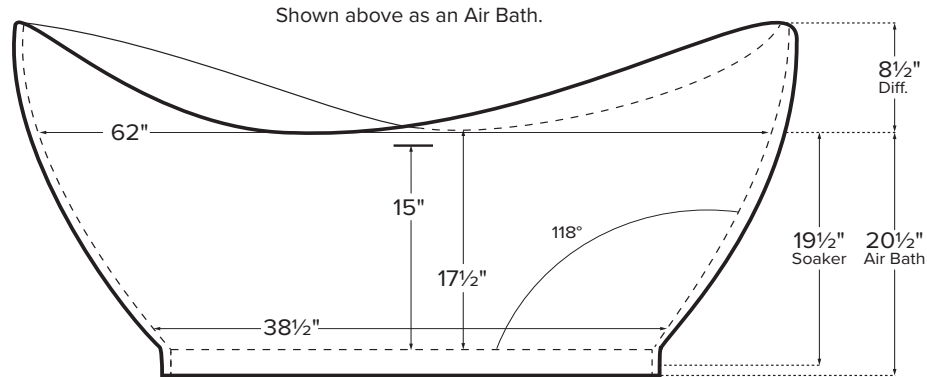
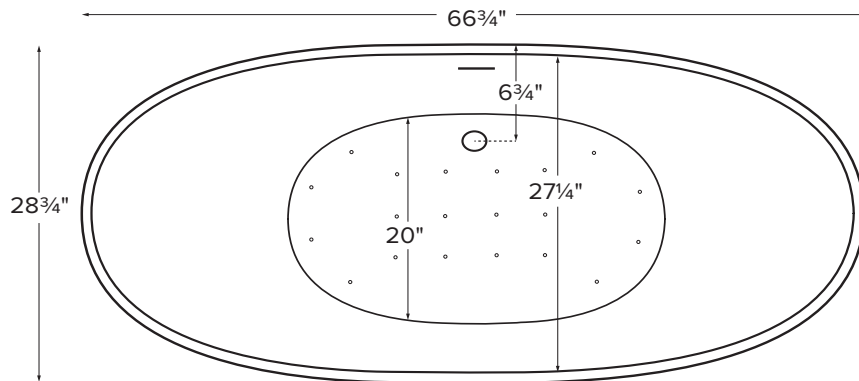




Features an integrated overflow.

<b>MODEL 222</b>
<b>66.75" x 28.75" x 19.5"/20.5"</b>
<b>FREESTANDING</b> 69 gal to overflow
<b>SculptureStone®</b>
213 lbs / 97 kg soaker 243 lbs / 110 kg airbath
Filling this tub to the maximum may require an above average size or dedicated water heater.



Shown above as an Air Bath.

**ELECTRICAL COMPONENTS & SPECIFICATIONS**

**Required Electrical Service - 110 Volt**

Hydrotherapy Package	Components Included	GFCI
<b>Air Massage</b>	heated blower	1-15 amp

Electrical requirements may change with the addition of optional therapy components. See specific option details or installation information. CSA Certified C/US; ANSI Z124.1 and ANSI 112.19.7 and ANSI 112.19.7

See the Installation & Operation Manual for more details.  
MTI's Customer Service: Monday-Friday 8am-6pm EST  
**800-783-8827** or [service@mtibaths.com](mailto:service@mtibaths.com)

**IMPORTANT ORDERING & INSTALLATION INFORMATION**

- Before ordering or installing, please consider future access to equipment.
- Includes an integrated overflow with toe tap drain in chrome finish. May be specified without an overflow (see local codes before ordering without an overflow).
- Air baths require job site preparation for remote installation of the blower and required check valve. Check valve must be installed higher than the rim of the tub.
- Waterproof remote control included with air bath. Keypad shipped loose may be remote mounted on nearby surface/wall.
- Faucet valves cannot be mounted on this tub model.

- Before discarding tub crate, check for accessories that may be packaged inside.
- All product measurements are ±1/2".
- Specifications and configurations are subject to change without notice.
- Measurements herein supersede all others published prior to publication date below.

For more information on options and accessories go to SculptureStone® Tubs Options on mtibaths.com

**Juliet**  
 MODEL #: 222  
 66.75" x 28.75" x 19.5"/20.5"

- Blower & required check valve for airbath must be remote mounted.
- Check valve must be installed higher than the rim of the tub.
- See the Installation & Operation Manual for more details.

Hydrotherapy	Package Contents	Part #	Finish	MSRP
<b>Soaker</b>	Soaking bath - no jets. Includes an integrated slotted overflow with a toe-tap drain kit. • Overall soaker height is 28" at the backrest, and step in height is 19.5".	<b>S222</b>	soft matte	<b>\$9,680</b>
		<b>S222GL</b>	hand-polished gloss	<b>\$10,855</b>
<b>Air Bath</b>	20 air jets, heated air blower, keypad, waterproof remote control, integrated slotted overflow with a toe-tap drain kit. • Overall air bath height is 29" at the backrest and step in height is 20.5".	<b>AST222</b>	soft matte	<b>\$15,220</b>
		<b>AST222GL</b>	hand-polished gloss	<b>\$16,395</b>

Options <i>Must be ordered at time of purchase</i>
<b>Quick Ship</b> (QSPRI2) <b>\$1,110</b> reduces lead time <i>Please call for availability</i>
<b>Standard Color</b> White <b>Biscuit Color Upgrade</b> (SSBI) <b>\$320</b> <i>Additional material colors available for projects only. Please call MTI.</i>
Accessories
<b>Teak Bath Mat</b> (TKMAT3018) <b>\$880</b> Measures 30" x 17.5" x 1" <i>Custom sizes also available. Contact MTI for details.</i>

SculptureStone® Tub Accessories	
Packaging / Handling Fee Applies	
<b>SculptureStone® Bathroom Table</b>	(TABLE) <b>\$895</b> matte finish (TABLEGL) <b>\$1,360</b> gloss finish <i>Order with tub for best color match</i>
SculptureStone® Standard Faucet Stand	
Small - 3-hole capacity <b>14¼" w x 20½" h</b>	Large - 5-hole capacity <b>22" w x 21½" h</b>
Matte (STAND) <b>\$780</b> Gloss (STANDGL) <b>\$1,250</b>	Matte (STANDL) <b>\$925</b> Gloss (STANDLGL) <b>\$1,390</b>
SculptureStone® Premium Faucet Stand	
<b>15" w x 39" h</b>	<b>10" w x 39" h</b>
Matte (SSFSR3915MT) <b>\$2,555</b> Gloss (SSFSR3915GL) <b>\$2,940</b>	Matte (SSFSR3910MT) <b>\$2,310</b> Gloss (SSFSR3910GL) <b>\$2,730</b>
<b>20" w x 23" h</b>	<b>15" w x 23" h</b>
Matte (SSFSR2320MT) <b>\$2,090</b> Gloss (SSFSR2320GL) <b>\$2,505</b>	Matte (SSFSR2315MT) <b>\$1,975</b> Gloss (SSFSR2315GL) <b>\$2,355</b>

Drains & Overflow Kits <i>Must be ordered at time of purchase</i>	
<b>Toe Tap Drain Cover Finishes</b> PVC drain - Chrome included + <b>\$55</b> upcharge Br. Nickel (WIOBN), Pol. Nickel (WIOPN) + <b>\$95</b> upcharge Matte Black (WIOMB) + <b>\$115</b> upcharge Oil-Rubbed Bronze <sup>†</sup> (WIOOR) + <b>\$695</b> upcharge Special Finish* (WIOSF) <i>Send finish sample to MTI Baths for best match.</i>	<b>Toe Tap SculptureStone® Drain Cover Finishes</b> Upgrade is in lieu of standard chrome to tap drain cover. White only + <b>\$100</b> upcharge Matte Finish (SSWIOMT) + <b>\$120</b> upcharge Gloss Finish (SSWIOGL) <b>Brass Tailpiece</b> (WIOBS) <b>\$95</b> in addition to finish charge listed above <b>Quick Drain Kit</b> (WOQ) <b>\$510</b>

<sup>†</sup> MTI has selected an oil-rubbed bronze finish that is compatible with Delta and many other manufacturers. To ensure best match, order as a Special Finish and submit a sample.

\* Allow 2-4 weeks lead time for Special Finishes. Send sample for best match.