

# ASSEMBLY INSTRUCTIONS







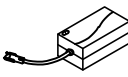

MORELLO COLLECTION

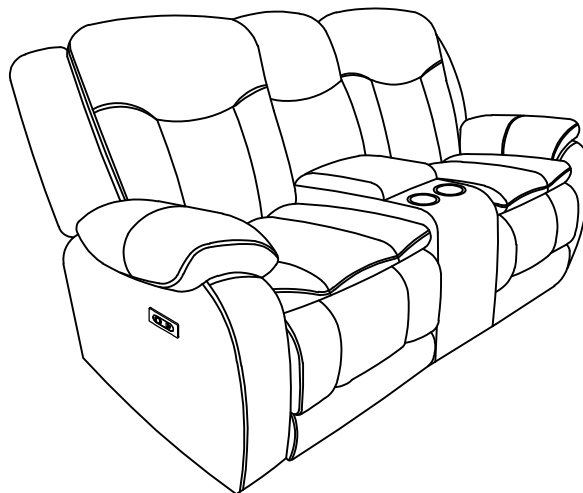
ITEM#: U2505-25P1

DESCRIPTION : MORELLO CONSOLE LOVESEAT W/PWR FR

Thank you for purchasing this quality product. Be sure to check all packing materials carefully for small parts, which may have come loose during shipment. Identify and count all items and compare with the parts list shown below. It is recommended to have two people during assembling and to remove the back and base of the furniture out from the box. **Please follow the drawings below to assemble the item**

## Parts List

NO.	DESCRIPTION	SKETCH	Q'TY
A	Seat		1 PC
B	Left Side Facing (LSF) backrest		1 PC
C	Console Backrest		1 PC
D	Right Side Facing (RSF) backrest		1 PC
E	Left Side Facing (LSF) Wing		1 PC
F	Right Side Facing (RSF) Wing		1 PC
G	Transformer		1 PC
H	Plug		1 PC



All images shown are for illustration purpose only.  
Actual product may vary due to product enhancement.

# ASSEMBLY INSTRUCTIONS

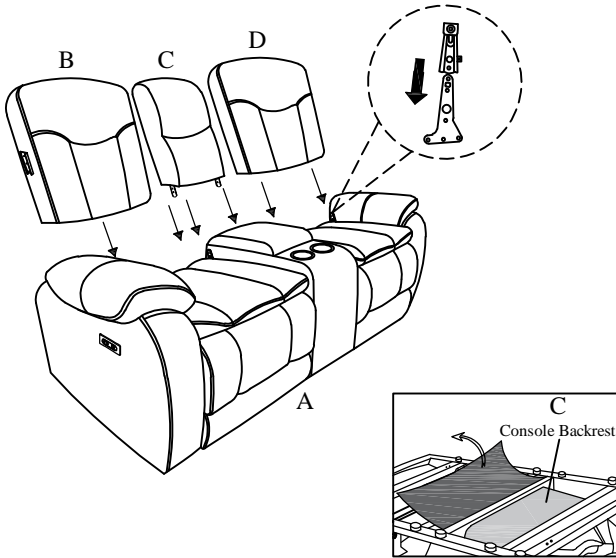
MORELLO COLLECTION

ITEM#: U2505-25P1

DESCRIPTION : MORELLO CONSOLE LOVESEAT W/PWR FR

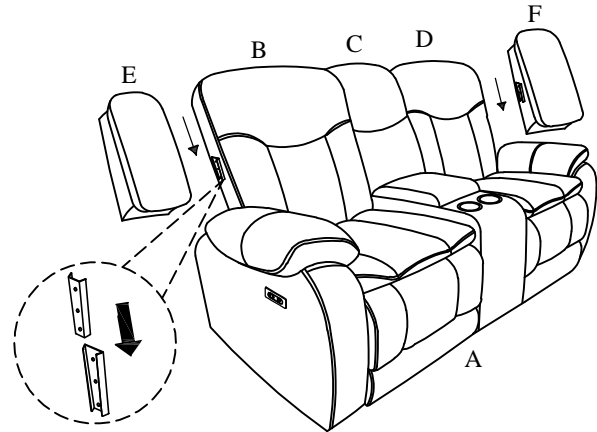
## Step 1:

Take the Console Backrest (C) out of the Console Base part of the Seat (A). Attach the LSF/Console/RSF backrests (B/C/D) to the Seat (A).



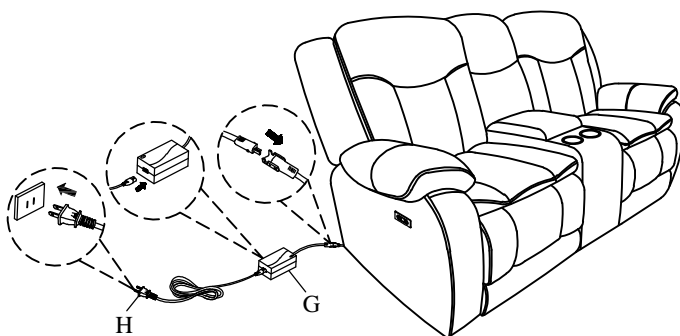
## Step 2:

Attach the LSF Wing (E) to LSF Backrest (B) and RSF Wing (F) to RSF Backrest (D).



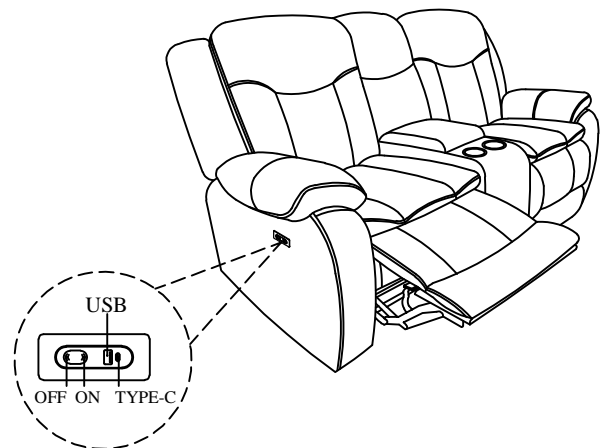
## Step 3:

Connect the Transformer (G) to the power wire on the seat (A) and then connect the Plug (H) to the Transformer (G).



## Step 4:

Open the Footrest by pressing the power button on/off.



All images shown are for illustration purpose only.  
Actual product may vary due to product enhancement.